



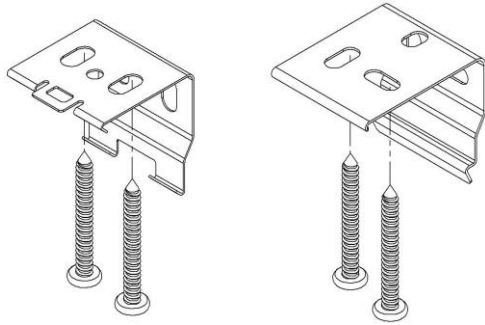
INSTALLATION INSTRUCTIONS

ROMAN SHADE (Versarail)

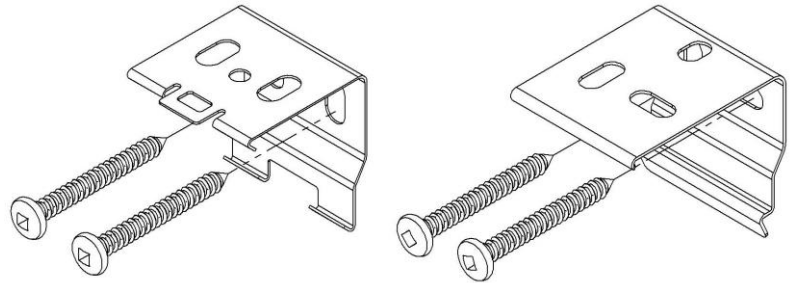
1. MOUNT THE BRACKETS

Determine the proper position for each bracket. The brackets should be securely mounted, equally spaced for the width of the Roman Shade. All screws should be securely fastened to a sturdy structure. It is important that the brackets be mounted level and aligned to each other. Shimming may be required. Attach using two screws.

NOTE: The standard mounting brackets provided are as follows: 2 for widths up to 60", 3 between 61" to 96", 4 or more over 96".



Ceiling/inside mount



Wall/outside mount

2. INSTALL THE SHADE

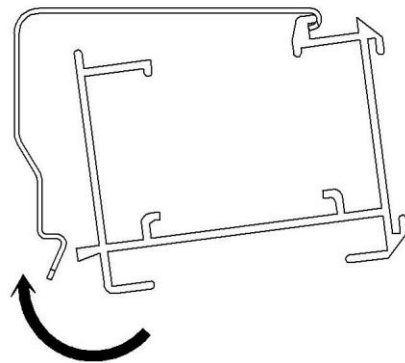
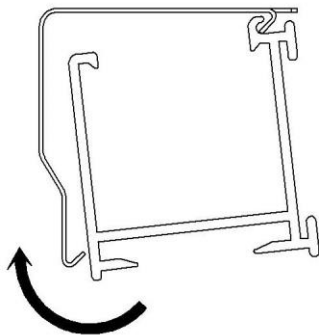
Pull back the fabric from the Versarail Velcro. Confirm the control position is correct. With the Velcro side of the Versarail facing you, insert the front edge of the headrail onto the top of each mounting bracket as shown in below figure.

Starting from the center, push upward and back until the back edge of the Versarail snaps into the bottom tab of the mounting bracket.

Repeat this process for each bracket.

Make sure that the lip of the mounting bracket firmly clicks into the groove.

Reattach the fabric Velcro to the Versarail.



3. OPERATE THE SHADE

For manual roman shade, pulling gently on one side of the control cord or bead chain raises the shade; pulling down on the other side lowers it.

For automatic roman shade, pressing the up key on remote raise the shade; pressing the down key on remote lowers it. Lift and lower the shade several times to confirm a proper installation. Adjust if necessary. For programming the remote see "Programming Instructions" for remote and wall switches.