



Installation Instructions

Vision™ Roller Shade

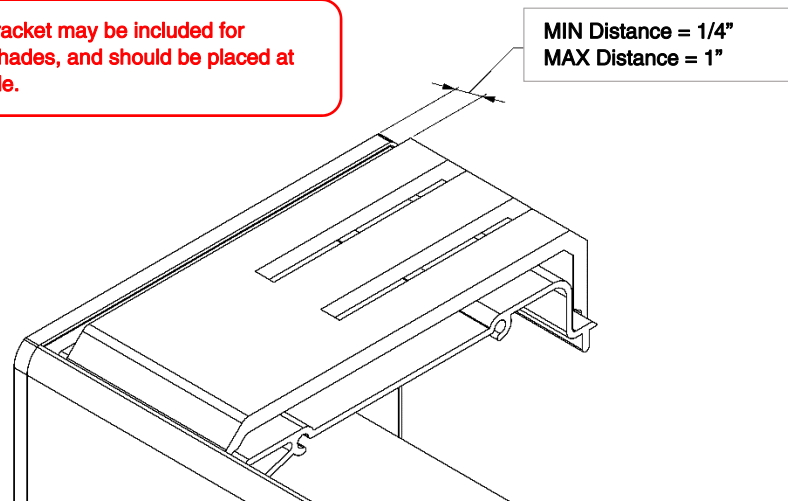
Date: 15/02/2018

V-102 System:

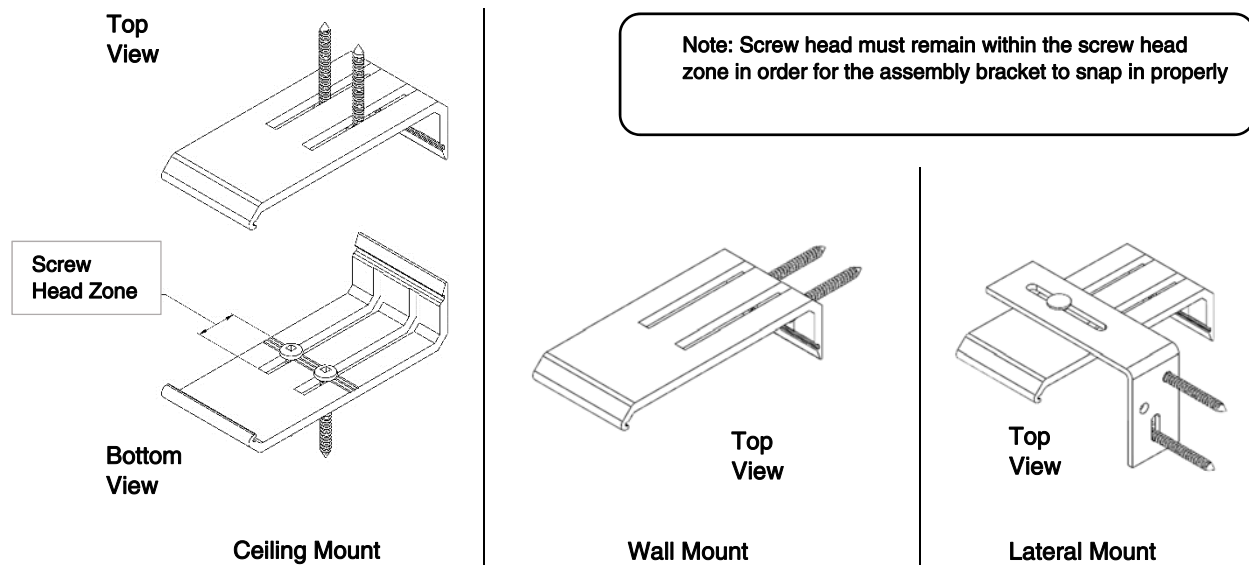
1. MOUNTING THE V-102 MOUNTING BRACKETS:

- Each Vision™ Roller Shade System comes standard with two mounting brackets.
- To determine the position of each bracket the V-102 Mounting Brackets should be no further than 1 1/4" from the ends of the V-102 End Bracket Cover.
- It is important that the brackets be securely mounted, level, and aligned to each other. Shimming may be required.
- Attach using the two provided mounting screws. All screws should be securely fastened to a sturdy structure.

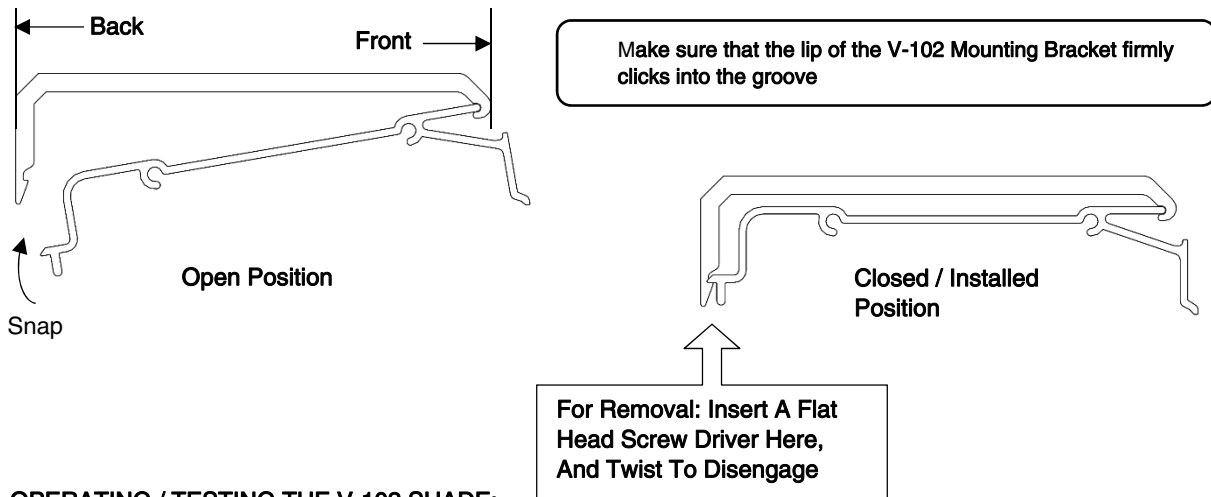
Note: An additional bracket may be included for mounting oversized shades, and should be placed at the center of the shade.



VARIOUS MOUNTING CONFIGURATIONS:



2. **INSTALLING THE V-102 SHADE:** With the V-102 Front Fascia facing you, insert the front edge of the V-102 Assembly Bracket onto the front lip of each V-102 Mounting Bracket, as shown in the diagram below. Starting from the edge, push upward and back until the back edge of the V-102 Assembly Bracket snaps into the bottom tab of the V-102 Mounting Bracket. Repeat this process for each bracket.

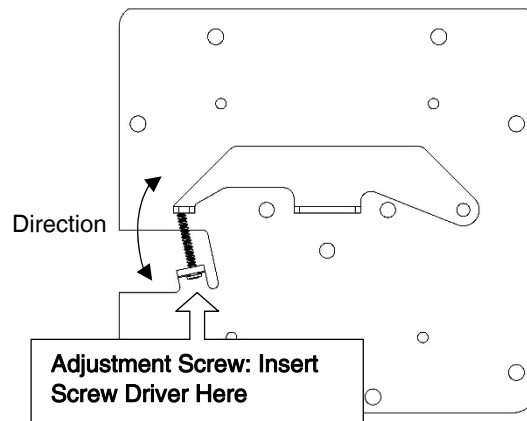


3. **OPERATING / TESTING THE V-102 SHADE:**

Before operating / testing the V-102 shade make sure there are no objects on the window sill that will interfere with the shade or cause it to hang unevenly.

- **V-102 Chain Operated Shades** - Use the chain to lower or raise the fabric to insure a proper installation. **Do not lift the bottom rail with your hand while operating the shade.**
- **V-102 Automated shades** - Use the remote to raise and lower the shade. Lift and lower the shade several times to confirm a proper installation. Adjust if necessary. Refer to the "Programming Instructions" before attempting to program remotes or wall switches. **Do not lift the bottom rail with your hand while operating the shade.**
- **V-102 NEO Chainless Shades** - Gently pull the bottom bar to lower or raise the shade. Do this several times to tack up any slack that may have accumulated during delivery.

4. **LEVELING THE SHADE:** The shade should be leveled to operate properly. To level the shade, turn the small Adjustment Screw on the V-102 Adjustable End Bracket either **clockwise or counter clockwise** until the shade is level.



5. **REMOVING THE V-102 SHADE:** From the bottom rear of the V-102 Shade, insert a **Flat Head Screw Driver** in between the V-102 Assembly Bracket and lip on the V-102 Mounting Bracket. Gently twist the screwdriver and pry the V-102 Mounting Bracket away.