



Installation Instructions

Vision™ Roller Shade

Date: 15/02/2018

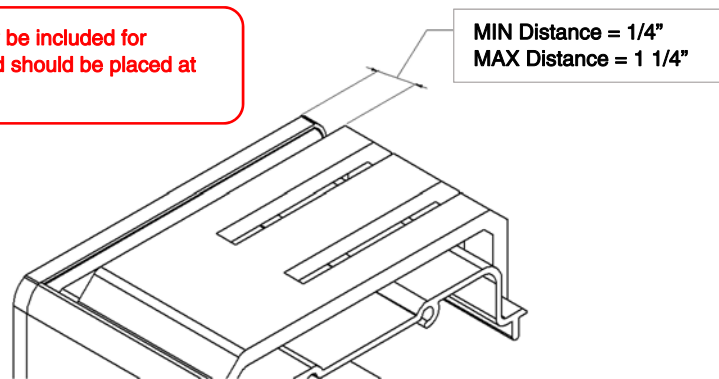
NOTE: TAKING ANY VISION™ SHADE APART FOR ANY REASON WILL VOID THE WARRANTY.

V-84 SYSTEM:

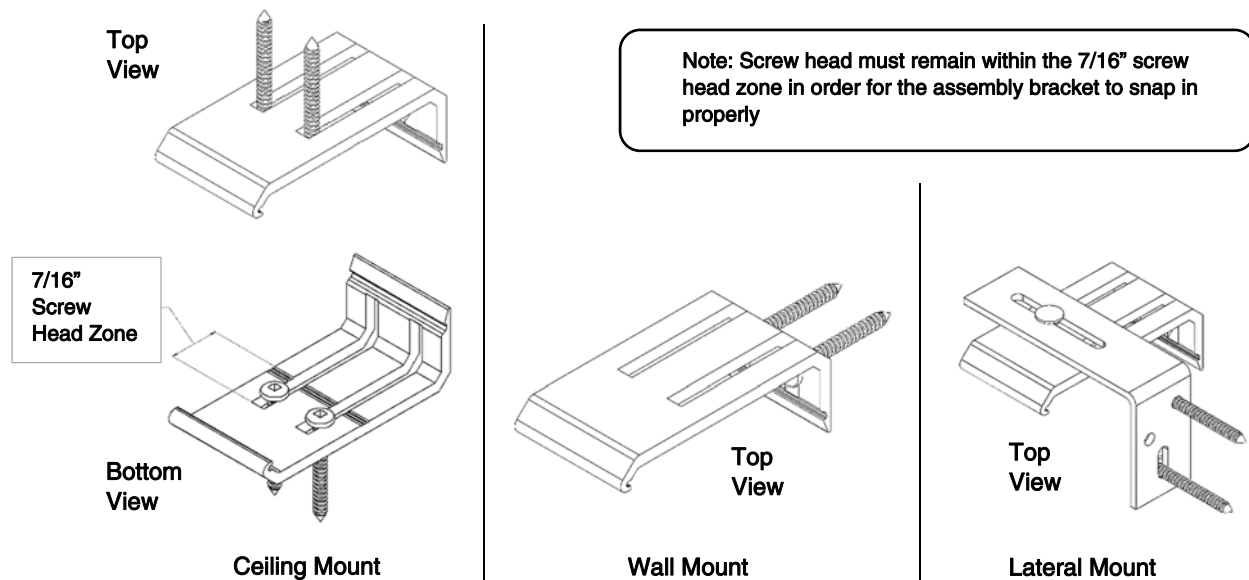
1. MOUNTING THE V-84 MOUNTING BRACKETS:

- Each Vision™ Roller Shade System comes standard with two mounting brackets.
- To determine the position of each bracket the V-84 Mounting Brackets should be no further than 1 1/4" from the ends of the V-84 End Bracket Cover.
- It is important that the brackets be securely mounted, level, and aligned to each other. Shimming may be required.
- Attach using two #8x1.5" Pan Head Zinc Screws included or equivalent, depending on the surface type. All screws should be securely fastened to a sturdy structure.

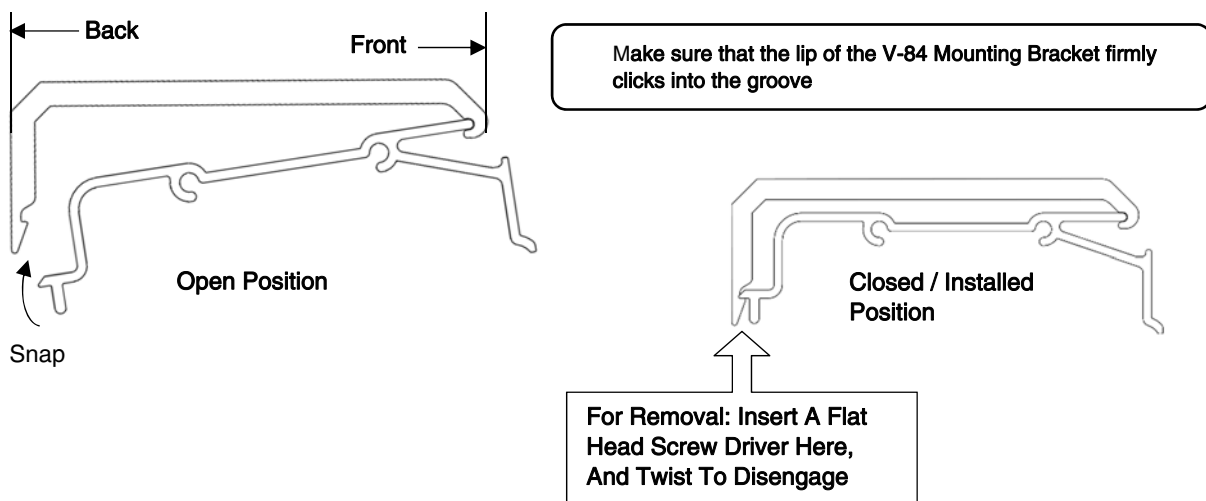
Note: An additional bracket may be included for mounting oversized shades, and should be placed at the centre of the shade.



VARIOUS MOUNTING CONFIGURATIONS:



2. INSTALLING THE V-84 SHADE: With the V-84 Front Fascia facing you, insert the front edge of the V-84 Assembly Bracket onto the front lip of each V-84 Mounting Bracket, as shown in the diagram below. Starting from the edge, push upward and back until the back edge of the V-84 Assembly Bracket snaps into the bottom tab of the V-84 Mounting Bracket. Repeat this process for each bracket.

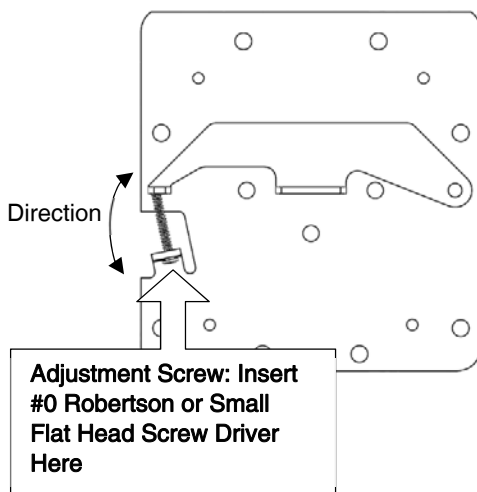


3. OPERATING / TESTING THE V-84 SHADE:



Before operating / testing the V-84 shade make sure there are no objects on the window sill that will interfere with the shade or cause it to hang unevenly.

- **V-84 Chain Operated Shades** - Use the chain to lower or raise the fabric to insure a proper installation. **Do not lift the bottom rail with your hand while operating the shade.**
- **V-84 Automated shades** - Use the remote to raise and lower the shade. Lift and lower the shade several times to confirm a proper installation. Adjust if necessary. Refer to the "Programming Instructions" before attempting to program remotes or wall switches. **Do not lift the bottom rail with your hand while operating the shade.**
- **V-84 NEO Chainless Shades** - Gently pull the centre of the bottom bar to lower or raise the shade. Do this several times to tack up any slack that may have accumulated during delivery.

4. LEVELING THE SHADE: The shade should be leveled to operate properly. Turn the small Adjustment Screw on the V-84 Adjustable End Bracket either **clockwise to raise the shade** or **counter clockwise to lower the shade** until the shade is level.



 WARNING		<p>Cords and bead chains can loop around a child's neck and STRANGLE.</p> <ul style="list-style-type: none">• Always keep cords and bead chains out of children's reach.• Move furniture away from cords and bead chains. <p>Children can climb furniture to get to cords.</p>
--	---	---

 MISE EN GARDE		<p>Les cordons et les chaînettes peuvent s'enrouler autour du cou d'un enfant et l'ÉTRANGLER.</p> <ul style="list-style-type: none">• Gardez toujours les cordons et les chaînettes hors de portée des enfants.• Éloignez les meubles des cordons et des chaînettes. Un enfant peut grimper sur un meuble pour atteindre les cordons.
--	---	--