



# Aria Chainless Shades



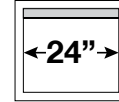
# Aria Chainless System

## Features and Benefits



Light Gaps	
Spring End	Reducer End
1/2" ±1/8"	1/2" ±1/8"

MIN. WIDTH



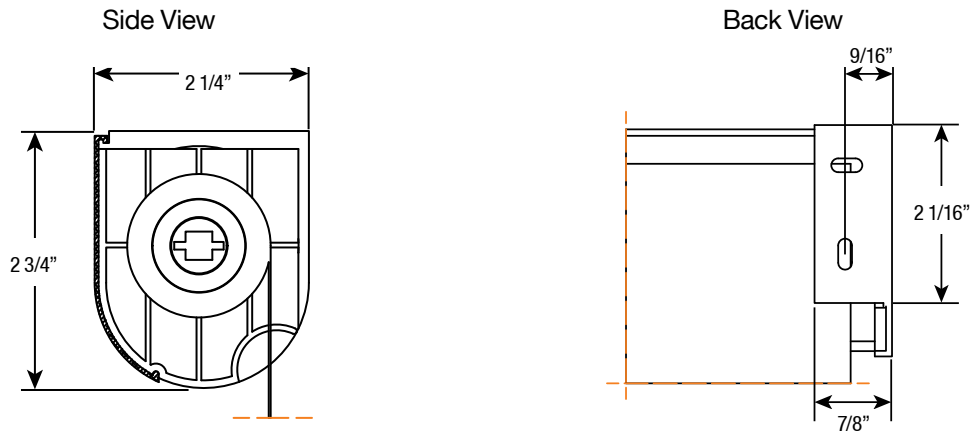
### Features & Benefits

- Speed reducer/spring technology provides slow rise and adjustable upper limit on site.
- Curved valance provides a clean and finished look.
- Maximum shade size is 40" to 70" depending on fabric selection. Please see our online ordering tool for exact limitations.
- Improved locking tab mechanism to make installation easier.
- Compatible with all Sun Glow roller shade fabrics.
- Regular roll only.
- Ceiling or wall mount only.
- Aria fascia and components currently available in white and anodized only.



# Aria Chainless System

## Mounting Details



### Mounting Specifications

