



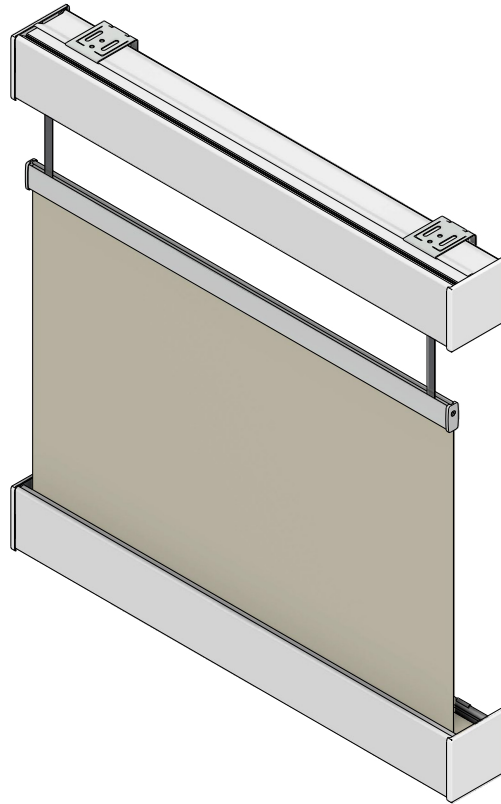
Atlas 2.0 Bottom Up Shades



Roller Shades

Operating System: Atlas 2.0

Exclusively available through SG Online, go to: dealerportal.mysunglow.com



Features & Benefits

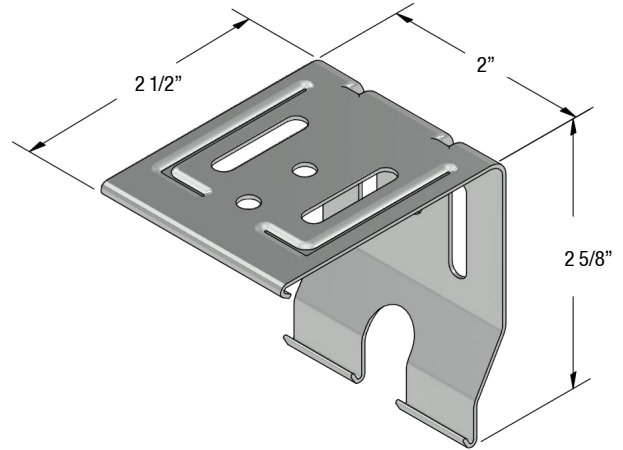
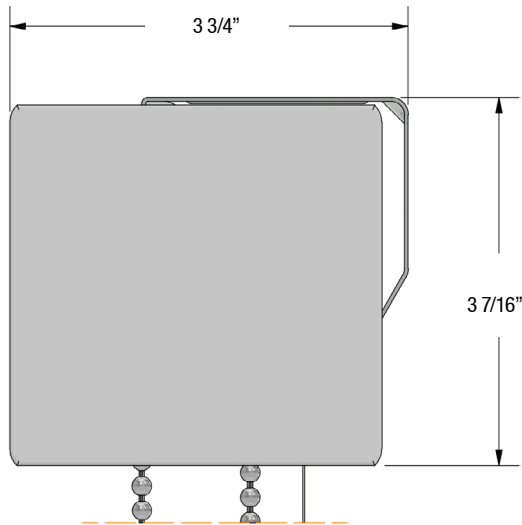
- **By simply inverting the roller shade,** Atlas 2.0 finds new harmony and balance between daylight and personal privacy.
- **Covering windows from the bottom-up** obscures sight lines, and the top opening permits the warmth and radiance of natural light.
- **Uniform Top and Bottom Cassette:** The Atlas 2.0 System uses the square cassette valance for both the top and bottom valance.
- **Battery Powered Motorization Available:** You can control your Atlas 2.0 System with both battery and wired motors.
- **Transparent Tension Cables:** Clear Straps are non-intrusive if left exposed. Straps are UV resistant for lasting performance.
- **Reduced Pricing:** The Atlas 2.0 price has been reduced by over 60% compared to Atlas 1.0



Roller Shades

Operating System: Atlas 2.0

Square Cassette Dimensions



Brackets Required By Width					
Shade Width	<60"	60"-96"	96"-120"	120"-148"	>148"
# of Brackets	2	3	4	5	6

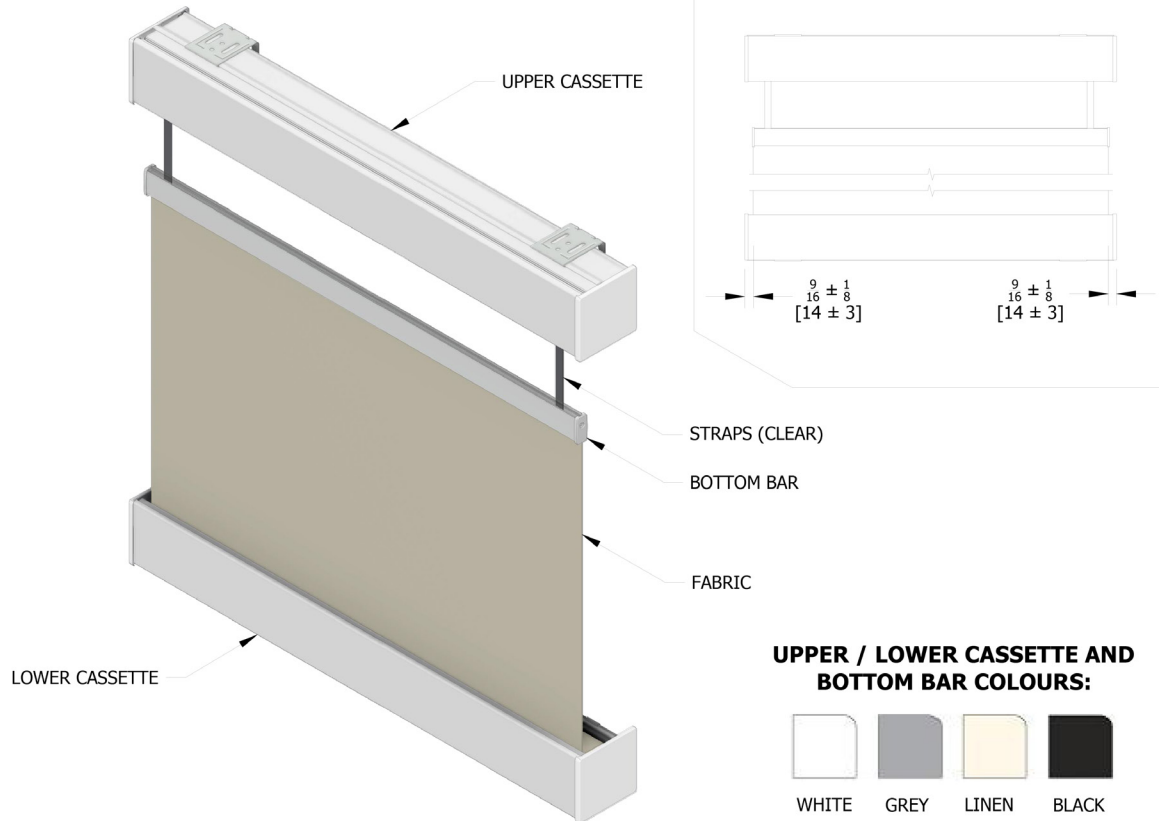


Roller Shades

Operating System: Atlas 2.0

Features & Benefits

All Dimensions Are In Inches [mm]



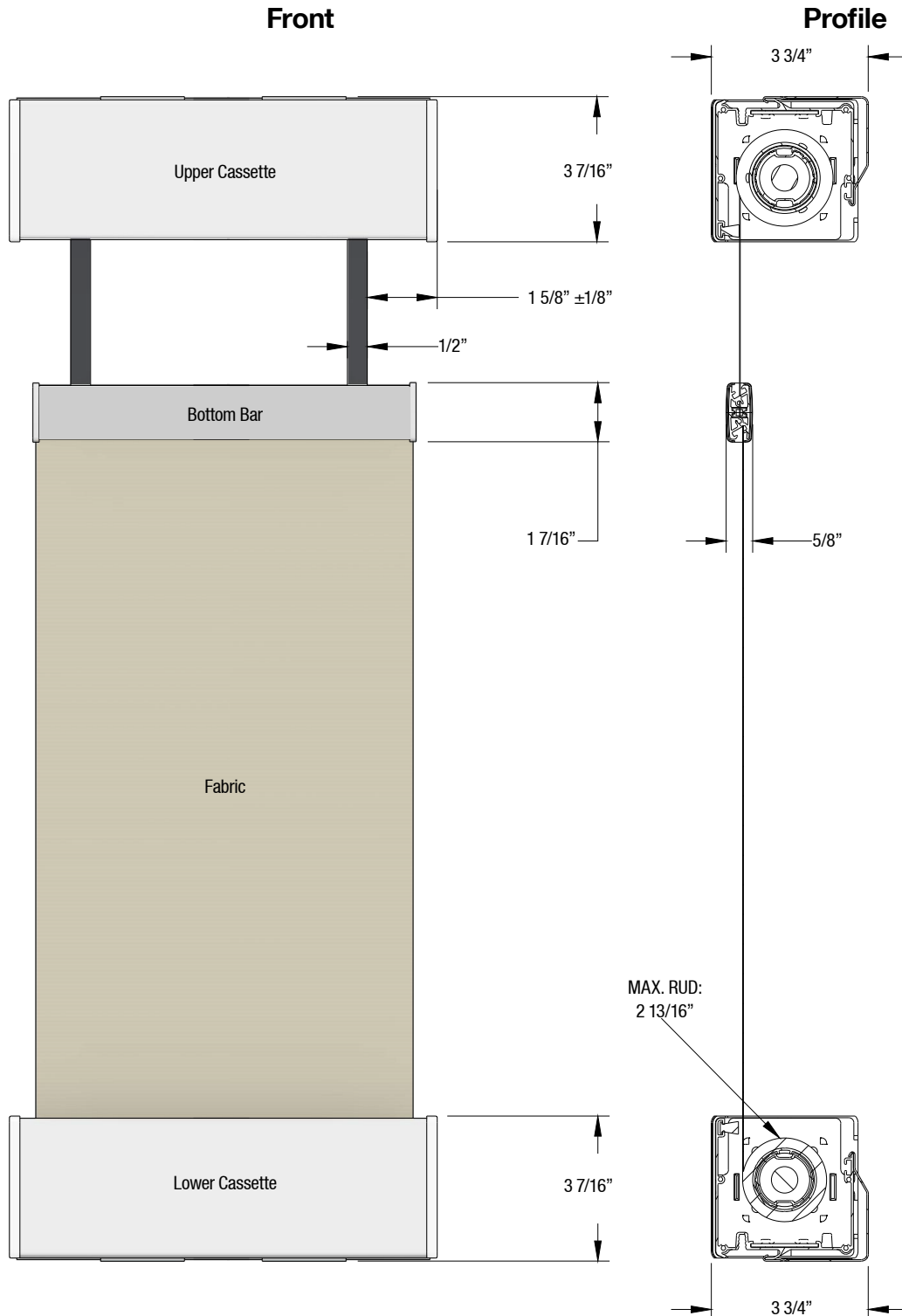
- **Maximum Width:** 85 Inches
- **Maximum Height:** 85 Inches
- **Minimum Shade Width:** 30 [762]
- **Maximum Rollup Diameter (RUD) :** 2 13/16 [71]



Roller Shades

Operating System: Atlas 2.0

Product Dimensions





Roller Shades

Operating System: Atlas 2.0

Mounting Specifications

