

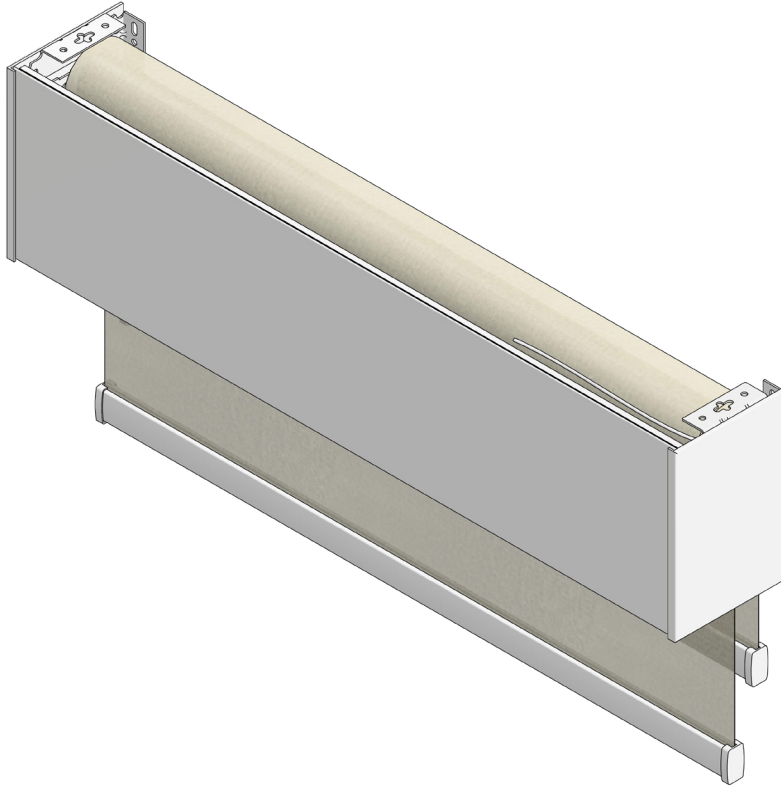


# Dual Square Fascia



# Dual Square Fascia

## Features & Benefits



Light Gaps	
Idle End	Drive End
5/8" ±1/8"	7/8" ±1/8"

### Features & Benefits

- Fascia available in white, anodized, and black.
- End Caps provide a finished look for outside wall mounted applications. Available in White and Grey.
- Mounting Brackets available in Grey.
- Front of cassette can be wrapped with fabric to match the roller shade.
- Compatible with chain (with Safety Shield), Zero Gravity, and motorized systems with wireless remotes, switches or other smart device. Supports mixed operation methods for front and rear shades.
- With Zero Gravity, shade is raised and lowered manually to the desired position with minimal effort. (No clutch and chain required)
- Can be ceiling, wall or laterally mounted.
- Shade drive can be installed on either mounting bracket. Refer to configurations for more details.
- Spring loaded idle end, clutch hooks and safety tab makes secure installation.
- SB Multi in 1: Allows a group of shades to be driven individually under a single cassette.



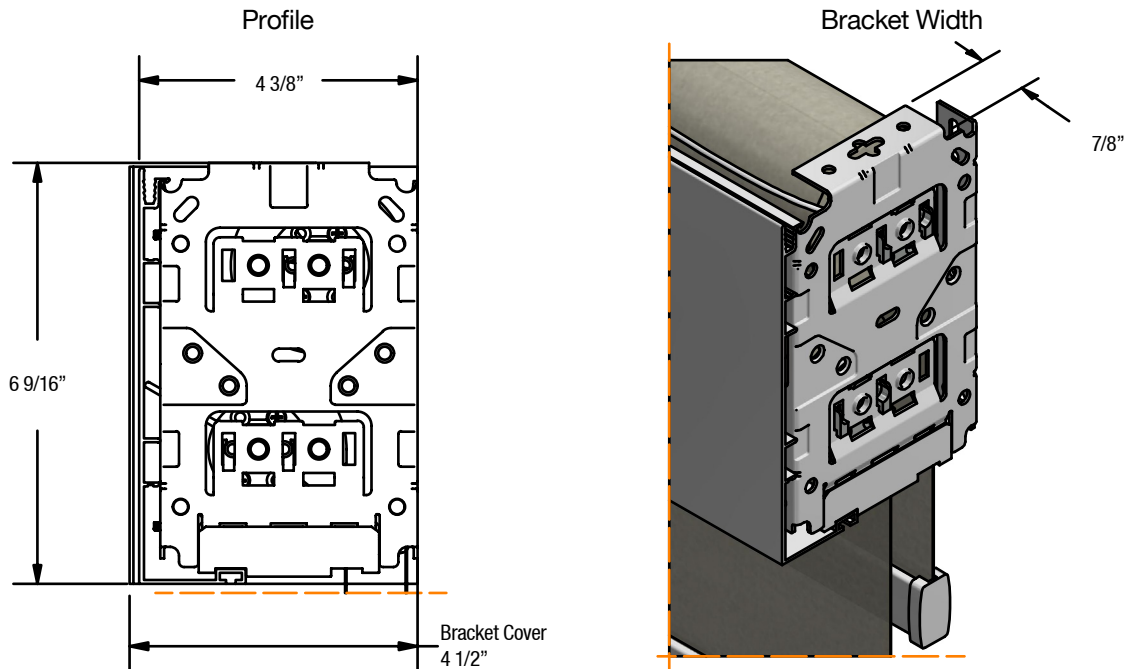
**LIGHT GAP MAY INCREASE** when width to height ratio is 1:2.5 or greater



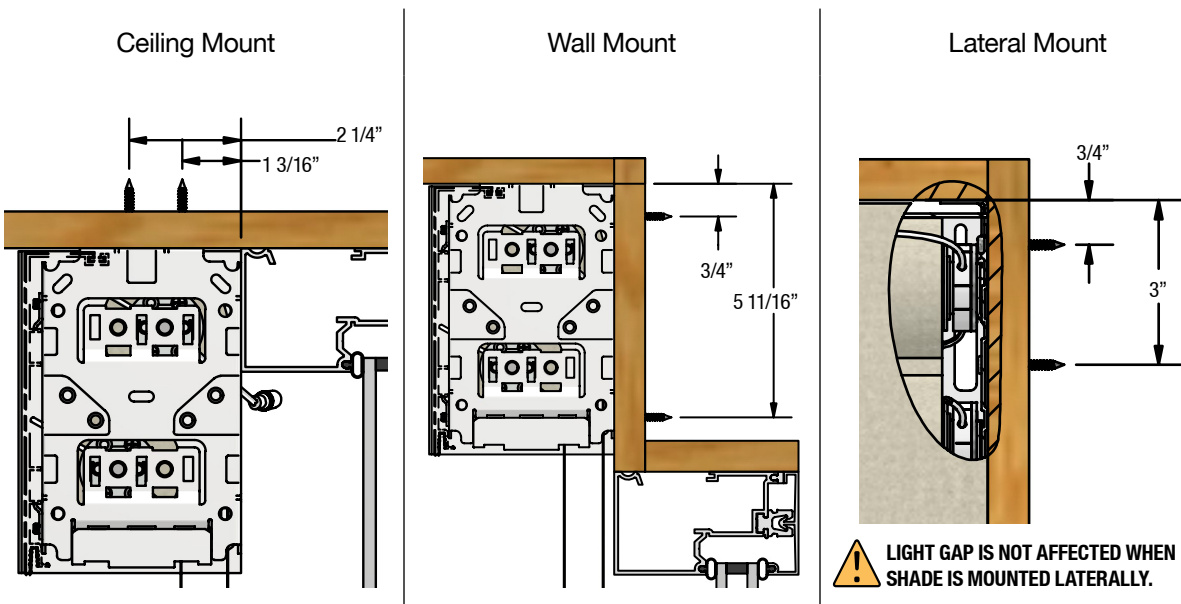
# Dual Square Fascia

## Features & Benefits

### Dimensions & Overview



### Mounting Specifications



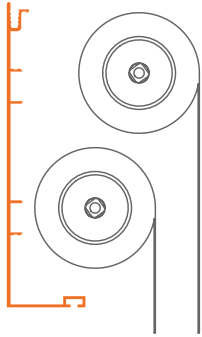


# Dual Square Fascia

## Features & Benefits

### Roll Configurations

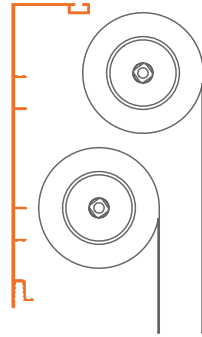
Standard Fascia  
with return



**A**

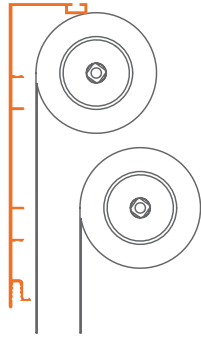
front: regular roll  
rear: regular roll

Inverted Fascia  
no return



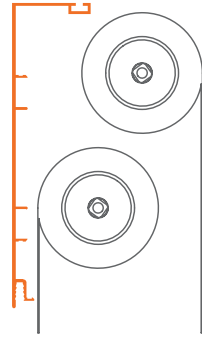
**B**

front: regular roll  
rear: regular roll



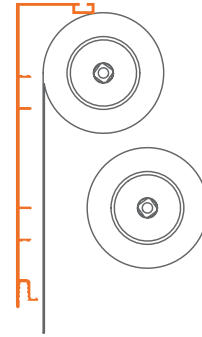
**C**

front: reverse roll  
rear: reverse roll



**D**

front: reverse roll  
rear: regular roll

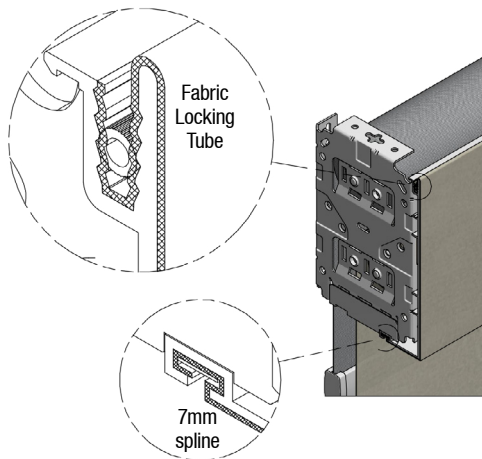


**E**

front: reverse roll  
rear: regular roll

### Other Details

Fabric Wrap



Magnetic End Cover

