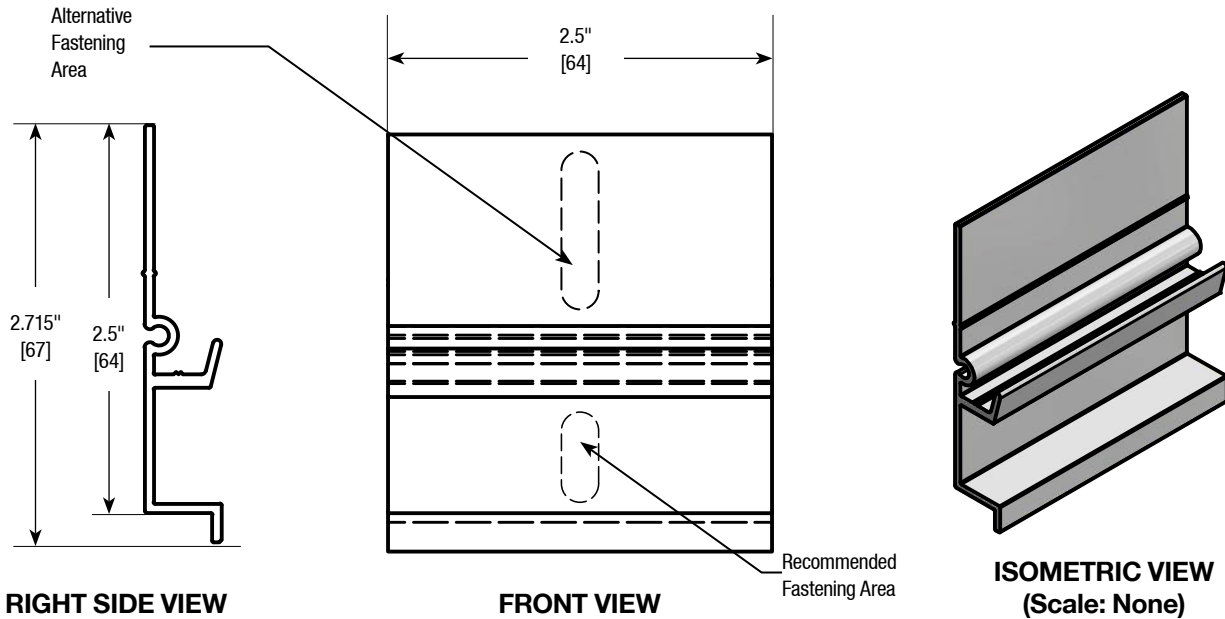




RECESSED POCKET ENCLOSURES

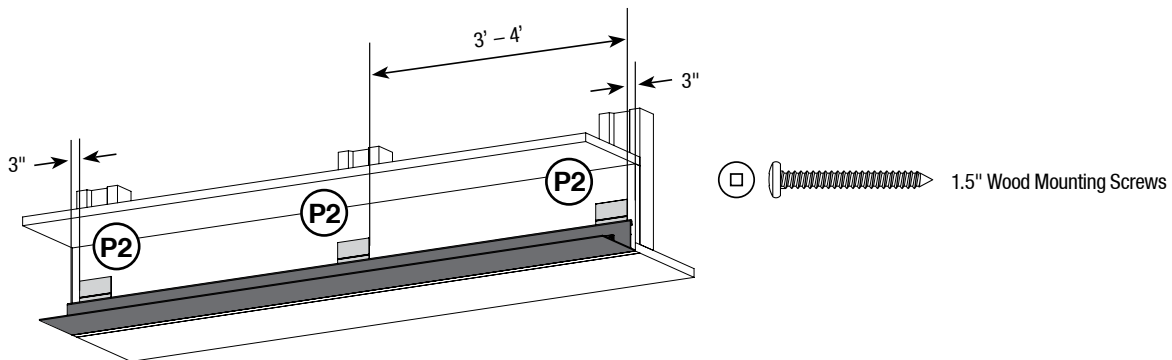
Hanger & Closure: Mounting Details

HANGER DIMENSIONS & SPACING



With cover: pre-drill cover before installation if required. Hangers are slid onto cover and do not need to be pre drilled (depending on site conditions).

MOUNTING OVERVIEW



Hangers (P2) are provided as a standard. Each hanger should be placed 3" [76.2mm] from either end of the pocket. Additional hangers should be placed every 3' - 4' [0.91-1.22 M] evenly spaced along the pocket wall.

1.5" [38.1 mm] wood mounting screw is provided with each Hanger (P2).



Ensure the screws used are appropriate for each application.

SCALE:	N/A	DWG NUMBER:	HC-HDS-01	DATE:	03/03/2017	REV:	0	DRAWN BY:	M. E.
--------	-----	-------------	-----------	-------	------------	------	---	-----------	-------