

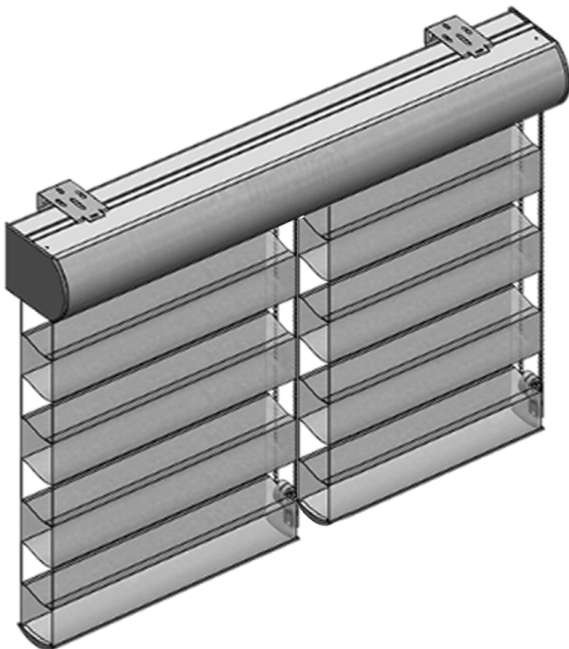


# Illusions

## Multi-In-One Shades

### Configurations

Shades can be configured to have multiple shades within a single valance.



#### Notes:

- Fabric wrapping is only available in widths that match or are narrower than the fabric width, unless the fabric can be railroaded.

#### Operation:

- Each shade can have drive on left or right
- Compatible with chain, motor

#### Limitations:

- maximum of 3 shades in a single valance
- each individual shade must meet limitations