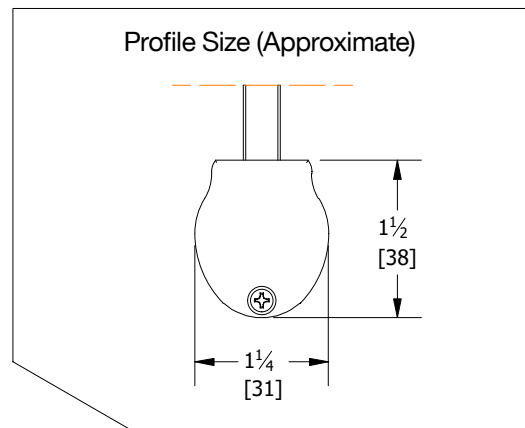
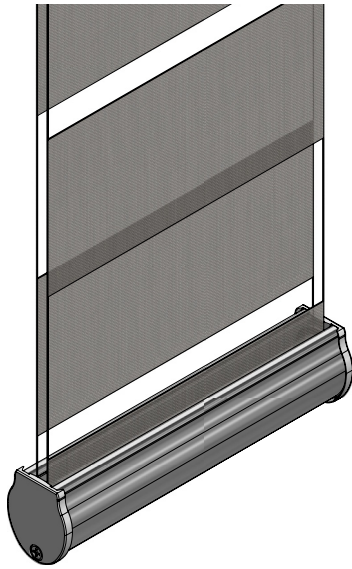




Interlude 2.0

Bottom Bars



Features & Benefits

- Aluminum Interlude Bottom Bar 2.0 comes in White, Grey (anodized), Linen and Black finishes with matching plastic
- End Caps.
- End Caps can be assembled on the left or right of the bottom bar and are securely fastened by #4 x 5/8" Flat Head Screw.
- Works with Chain, Motorized and Zero Gravity Interlude shades in conjunction with all Sun Glow Interlude fabrics.
- The Inner Tube Roller Guards allow the fabric to glide effortlessly through the bottom bar while reducing any fabric fraying during operation.
- The Interlude bottom bar's precise engineering minimizes deflection in wider shade applications. This allows interlude shades up to 108 [2743] wide to be manufactured.
- Child Safe: Screw-in design prevents bottom bar and end caps from being removed.