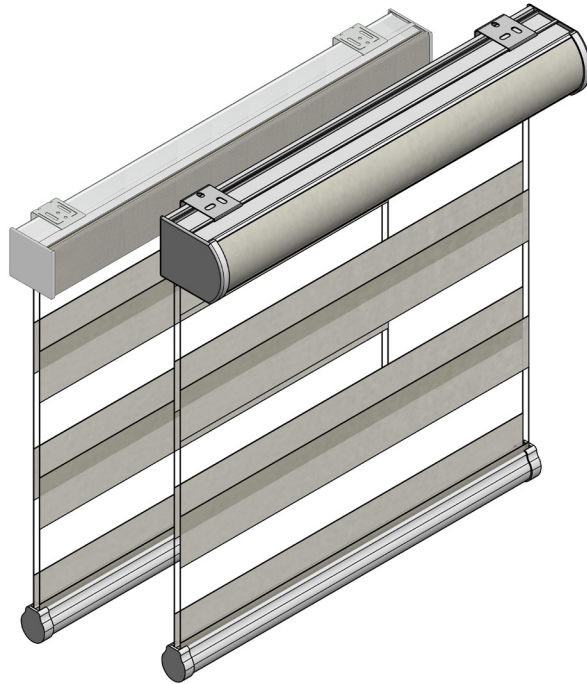


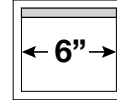


# Interlude

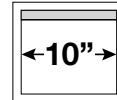
## Features and Benefits



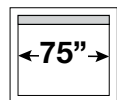
INTERLUDE  
MIN. WIDTH



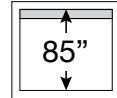
INTERLUDE ZERO GRAVITY  
MIN. WIDTH



INTERLUDE ZERO GRAVITY  
MAX. WIDTH



INTERLUDE ZERO GRAVITY  
MAX. LENGTH



### Features & Benefits

- The Interlude system combines transparent, translucent or opaque vanes for control over privacy and light filtering.
- Universal bracket provides easy installation for both ceiling and wall mount applications.
- Minimum width varies based on motor choice. Refer to [automation section](#).
- Plastic Bead loop available white, linen, grey and black. Stainless Steel loop is also available
- Cassettes available with fabric wrap option for complete coordination. Fabric wrap is comprised of the opaque or translucent vanes of the fabric.
- Curved Cassette and Compact Curved Cassette available in white, anodized, linen, brown, and black with matching end caps.
- Square Cassette available in white, anodized, linen, and black with matching end caps.
- Unique bottom bar features a fully enclosed roller mechanism.
- Zero Gravity Interlude bottom bar also available.
- Fabric wrapping not available for the Curved Cassette, Compact Curved Cassette and Square Cassette with the following fabrics: Terra and Timber