

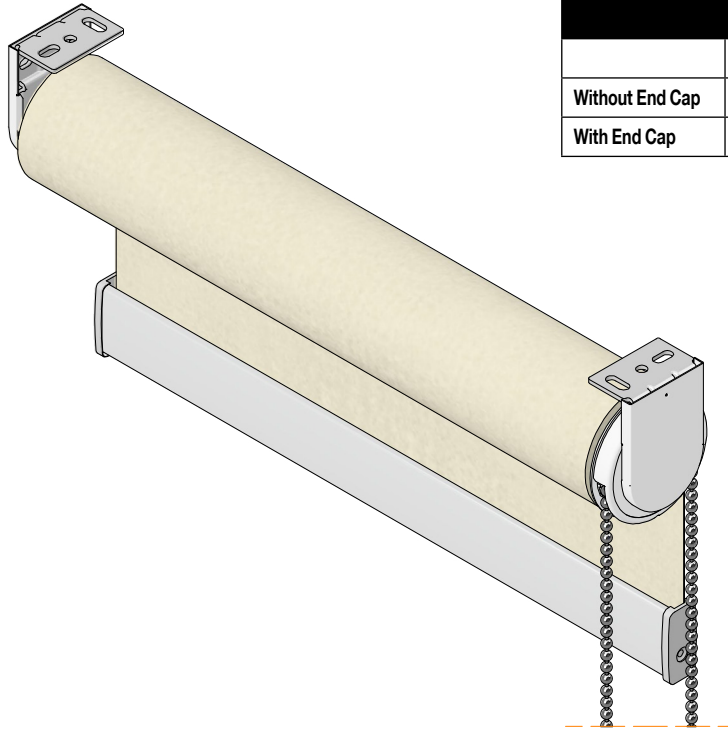


Roller Shades



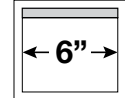
Roller Shades

Operating System: Chain
Valance Option: Open Roll



Light Gaps		
	Idle End	Drive End
Without End Cap	1/2" ±1/8"	11/16" ±1/8"
With End Cap	17/32" ±1/8"	23/32" ±1/8"

MIN. WIDTH



Features & Benefits

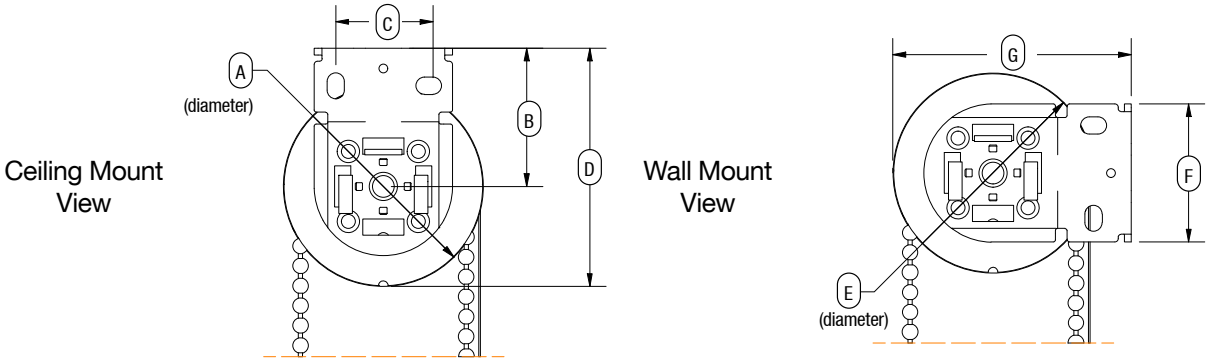
- Can be ceiling, wall or laterally mounted
- Zinc (metallic) brackets available in 1.6" (40mm) and 2.2" (55mm) to accommodate larger roll up diameters for larger shades.
- Slim metal bracket covers provide a finished look for outside wall mounted applications. Available in white, grey, linen, and black.
- Spring loaded idle end pin, clutch hooks, and safety tab makes for a secure installation.
- Catches are made from UV stabilized, glass-filled nylon and contain 4 small square profiled springs. The result is a strong clutch that operates smoothly with minimal effort.



Roller Shades

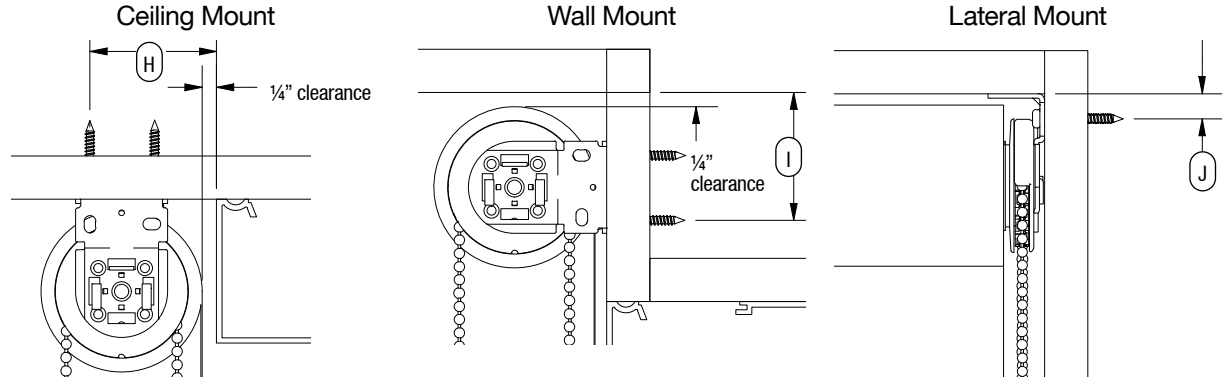
Operating System: Chain
Valance Option: Open Roll

Clutch & bracket dimensions



Clutch Size	Bracket Size	A	B	C	D	E	F	G
1 1/2"	1 5/8"	2 1/2"	1 5/8"	1 1/8"	2 13/16"	2 1/2"	1 5/8"	2 13/16"
1 1/2"	2 1/4"	2 1/2"	2 1/8"	1 1/8"	3 3/8"	2 1/2"	1 5/8"	3 3/8"

Open Roll Mounting Specifications



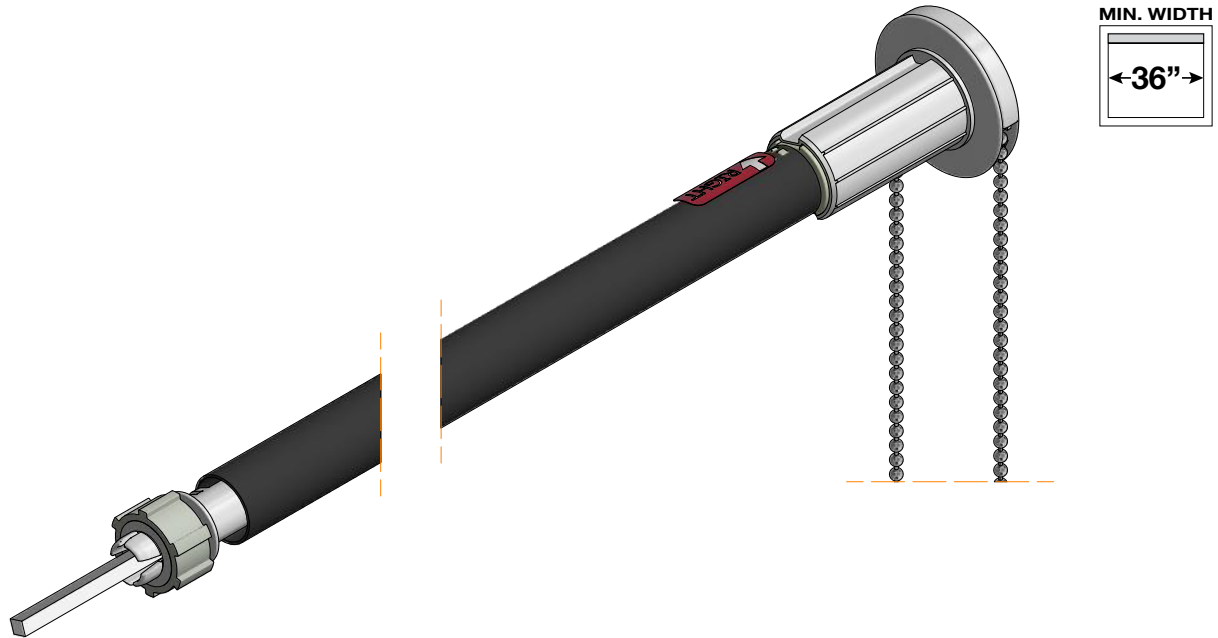
⚠ LIGHT GAP IS NOT AFFECTED WHEN SHADE IS MOUNTED Laterally.

Clutch Size	Bracket Size	Clutch Diameter	H Measurement from wall to furthest screw	I Measurement from ceiling to furthest screw	J Measurement from ceiling to furthest screw
1 1/2"	1 5/8"	2"	2 3/16"	2 3/16"	7/16"
1 1/2"	2 1/4"	2"	2 9/16"	2 9/16"	7/16"



Roller Shades

Operating System: Lift Assist



Features & Benefits

- Recommended for large manually operated shades as it reduces the pull force required to operate the shade.
- Compatible with all Roller Shade valance options.
- Helps to prevent unwanted stress on the Clutch and other shade components and increases the longevity of the entire shade system.
- Safe to install without the risk of unwinding as it maintains the specified tension from factory assembly right through to the completed installation
- Inner foam sheath surrounds the aluminum shaft internally to reduce noise as the spring operates.
- Outer sheath helps to dampen spring noise while operating inside the tube.
- Rubberized drive wheels run smoothly and quietly inside the tube.



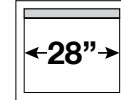
Roller Shades

Operating System: Zero Gravity

Zero Gravity

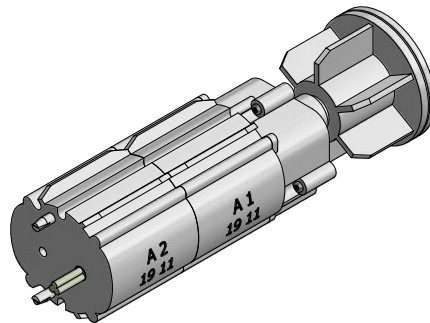


MIN. WIDTH

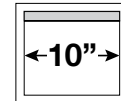


←28"→

Zero Gravity Mini

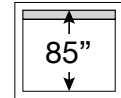


MIN. WIDTH



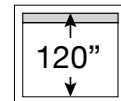
←10"→

MAX. LENGTH
INTERLUDE



85"

MAX. LENGTH
ROLLER SHADES



120"

Features & Benefits

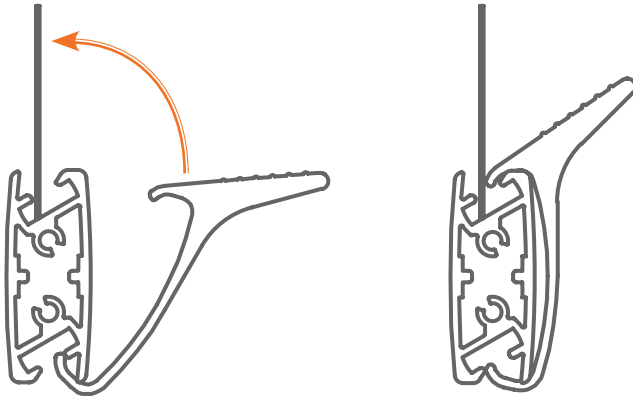
- Recommended where a chainless system is desired and the blind height is within reach.
- Compatible with all Roller Shade valance options.
- Operate the shade by simply raising or lowering from the bottom bar to any desired position.
- For the Zero Gravity – Regular foam surrounds the aluminum shaft internally to reduce noise as the spring operates. Drive Wheels run smoothly and quietly inside the tube.
- For the Zero Gravity - Outer Sheath helps to dampen spring noise while operating inside the tube.



Roller Shades

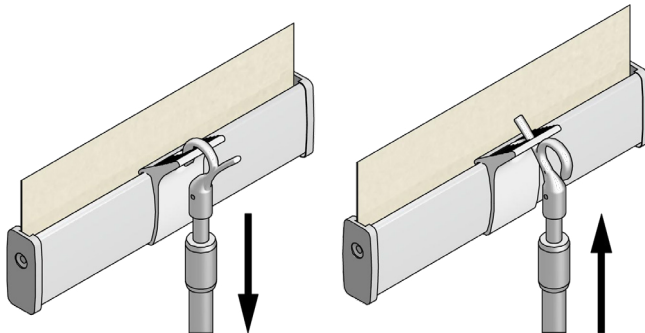
Operating System: Zero Gravity

Zero Gravity Clip for Accubar 2.1

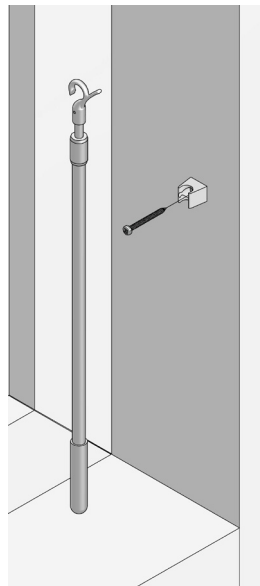


- Clips on to any Accubar 2.1 (wrapped or unwrapped)
- Provides a designated grip spot for hand operated shades, especially useful for wrapped Accubar 2.1 so that fabric doesn't pick up contact stains.

Zero Gravity Clip for Accubar 2.1 & Telescopic Draw Rod



- The telescopic draw rod provides an additional 22" of reach for raising and lowering hard to reach Zero Gravity shades.



- The draw rod comes with a wall mounting clip for easy placement and location.



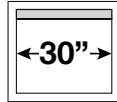
Roller Shades

Operating System: Neo Chainless

CEILING MOUNT

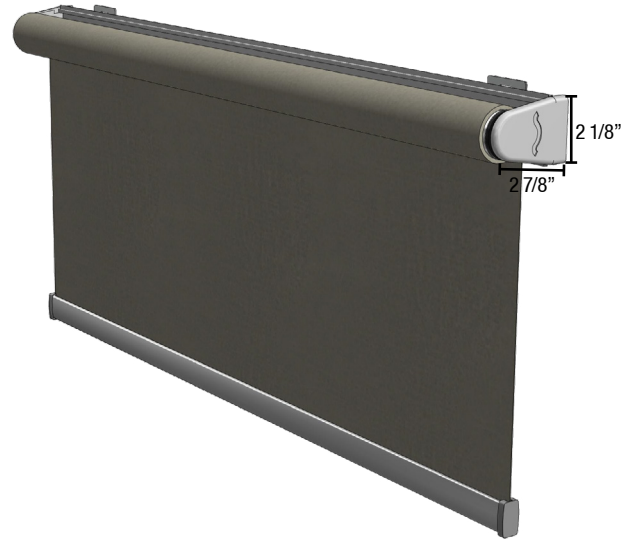


MIN. WIDTH

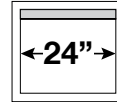


Neo Open Roll

WALL MOUNT



MIN. WIDTH



Neo in Curved Cassette
or Compact Curved Cassette

Features & Benefits

- Chainless design provides a clean look with no chains hanging.
- Can easily be operated by pulling the shade from the centre of the bottom bar or blind pull to the desired height.
- Can easily be retracted by a slight pull of the bottom bar or blind pull. The spring end helps to retract the shade while the speed reducer slows the shade down as it approaches the upper limit. Upper limit can be adjusted.
- Adjustable spring tension onsite using a 5mm allen key.
- Flexible mounting brackets can be ceiling or wall mounted. The position of the headrail can be altered for wall mounted applications.
- The spring loaded mechanism inside the mounting brackets makes installing the system easier.
- The white headrail, assembly brackets, and bracket covers provide a finished look from the interior. Also compatible with Curved Cassette valance.

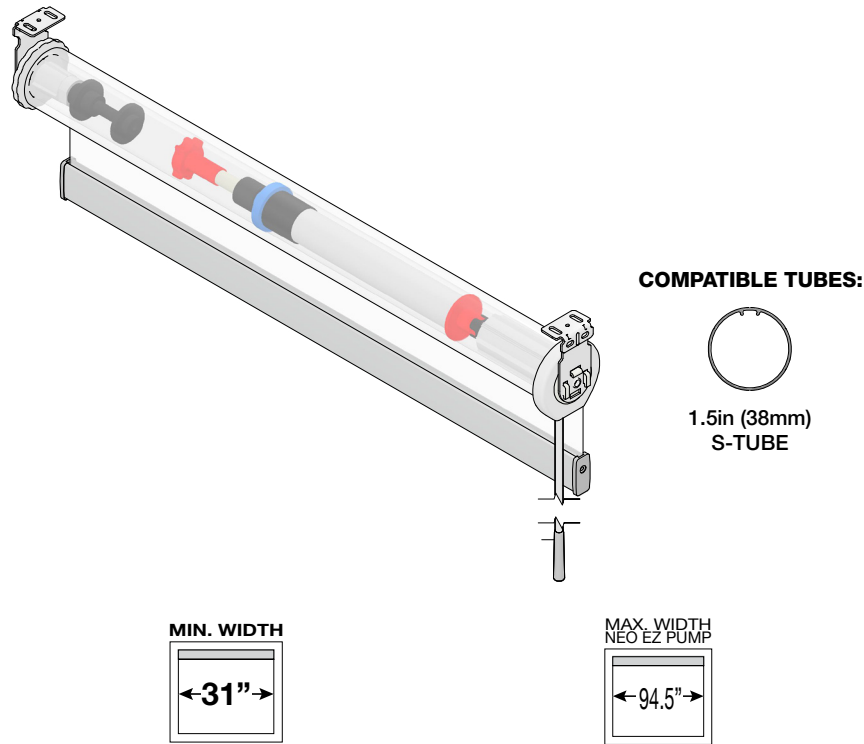


LIGHT GAP MAY INCREASE when width to height ratio is 1:2.5 or greater.



Roller Shades

Operating System: Neo EZ Pump



Neo Open Roll | Curved Cassette | 3" Square Fascia | 4" Square Fascia

Neo EZ Pump Wand Lengths: 24" or 36"

Features & Benefits

- Eliminates the need for free hanging loose chains/cords, while complying with latest industry child safe standards and regulations.
- Can be either controlled by the left or right side of the shade for easy accessibility.
- The shade can be lowered by pumping the NEO EZ pump wand or by pulling down on the bottom bar.
- Easily retracted by a slight pull of the NEO EZ pump wand or the bottom bar.
- The soft lift decelerator slows the shade down smoothly as it approaches the upper limit.
- The single limiter allows the upper limit to be fully adjustable while the shade is installed.
- If required, the spring tension can be easily adjusted by a #5 hex socket wrench.

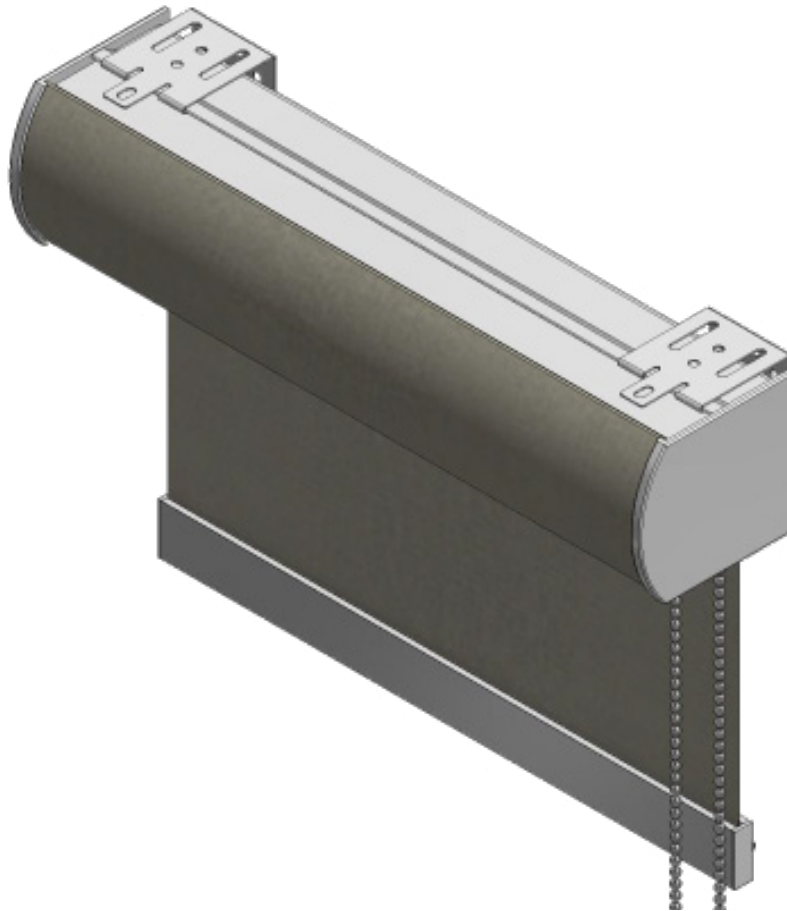


LIGHT GAP MAY INCREASE when width to height ratio is 1:2.5 or greater.



Roller Shades

Valance Option: Curved Cassette



Light Gaps	
Idle End	Drive End
5/8" ±1/8"	7/8" ±1/8"

Includes End Caps

Features & Benefits

- Sleek look accommodates upscale commercial needs and affords greater residential appeal.
- Front of cassette can be wrapped with fabric to match the roller shade fabric.
- Fully assembled design makes for quick and easy installation.
- Snap on mounting brackets can be ceiling or wall mounted.
- Available in white, anodized, linen, brown, and black with matching end caps.



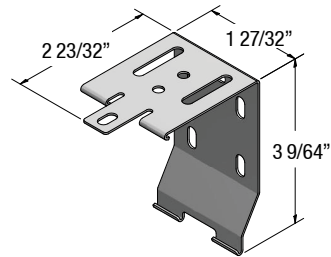
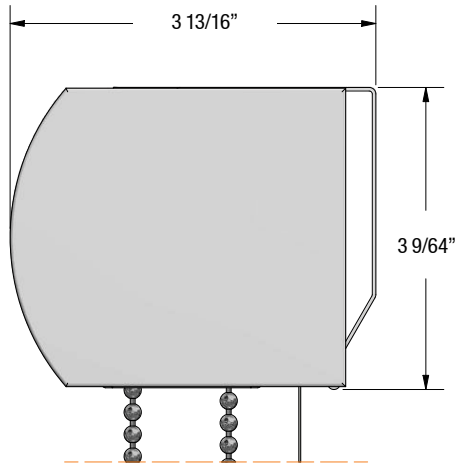
LIGHT GAP MAY INCREASE when width to height ratio is 1:2.5 or greater



Roller Shades

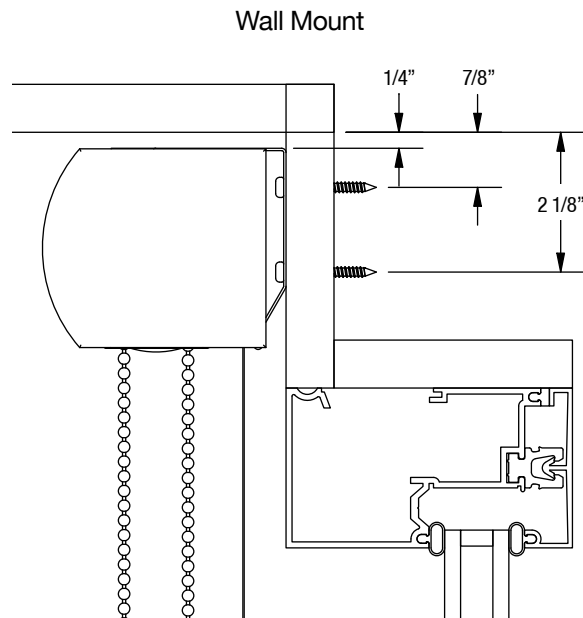
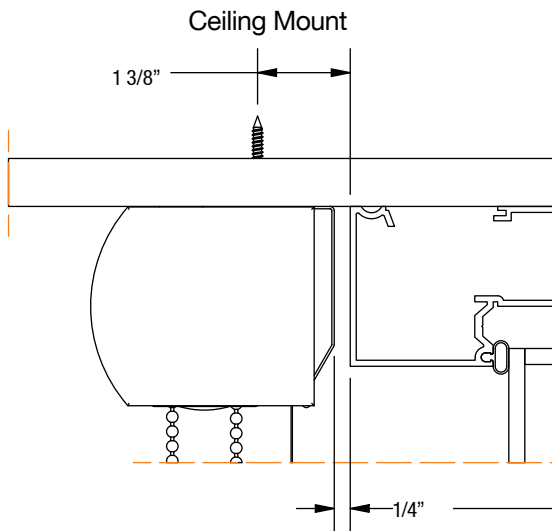
Valance Option: Curved Cassette

Dimensions & Overview



Brackets Required By Width					
Shade Width	<60"	60"-96"	96"-120"	120"-148"	>148"
# of Brackets	2	3	4	5	6

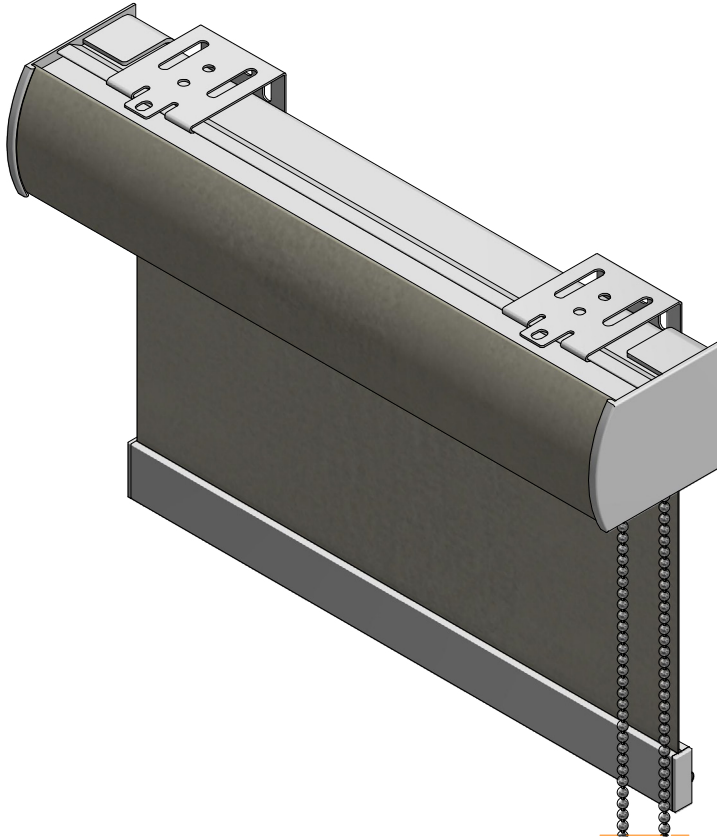
Mounting Specifications





Roller Shades

Valance Option: Compact Curved Cassette



Light Gaps	
Idle End	Drive End
5/8" ±1/8"	3/4" ±1/8"

Includes End Caps

Features & Benefits

- Option for the front of the cassette to be wrapped with fabric to match the shade fabric.
- Completely assembled unit conceals the roller shade from the interior and exterior space.
- Allows for motorized controls with wireless remotes, switches or other smart devices.
- Compatible with the Zero Gravity system which allows the shade to be raised and lowered manually to the desired position with minimal effort. (No clutch and chain required).
- Compatible with the NEO Chainless system which allows the shade to easily be retracted by a slight pull of the bottom bar or blind pull. The spring end helps to retract the shade while the speed reducer slows the shade down as it approaches the upper limit.
- Multi in 1 (separate control) allow a group of shades to be driven individually under a single cassette.
- Snap on flexible mounting brackets can be ceiling or wall mounted.
- Available in white, anodized, linen, brown, and black with matching end caps.



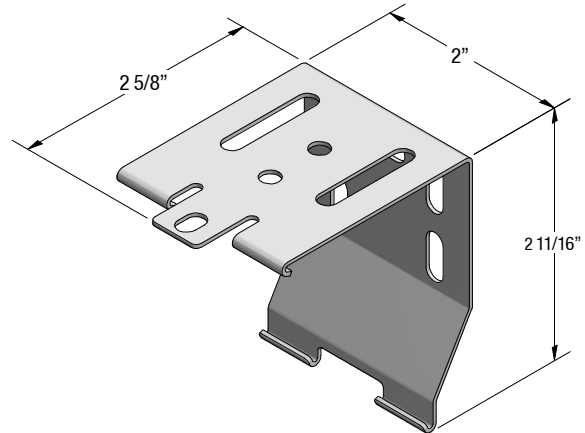
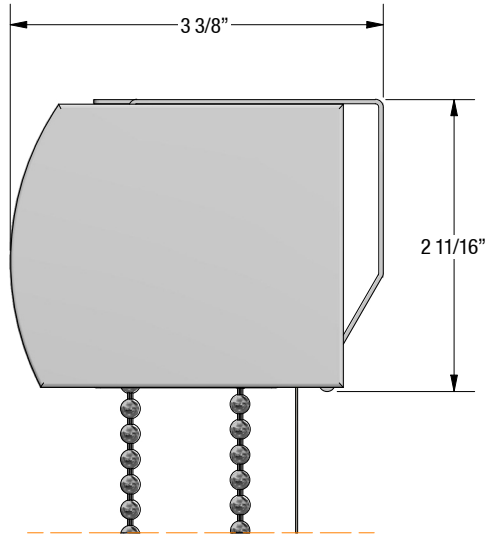
LIGHT GAP MAY INCREASE when width to height ratio is 1:2.5 or greater



Roller Shades

Valance Option: Compact Curved Cassette

Dimensions & Overview



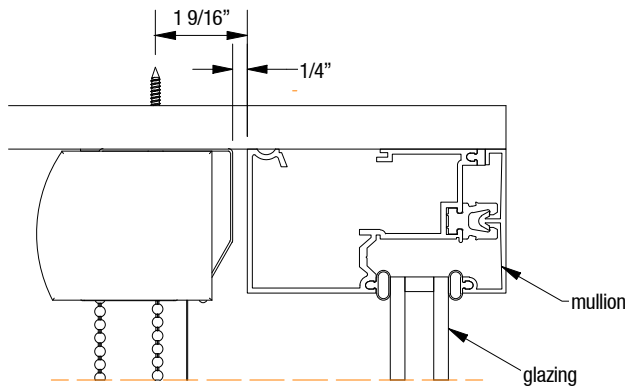
Brackets Required By Width

Shade Width	<60"	60"-96"	96"-120"	120"-148"	>148"
# of Brackets	2	3	4	5	6

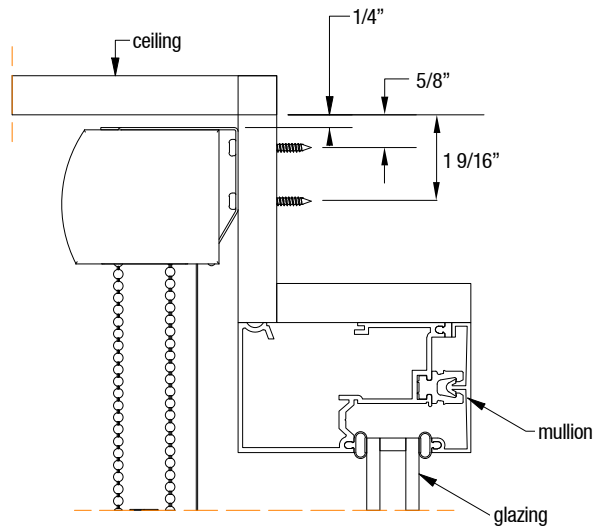
* Each mounting bracket requires a minimum of 2 screws for ceiling or wall mounts.

Mounting Specifications

Ceiling Mount



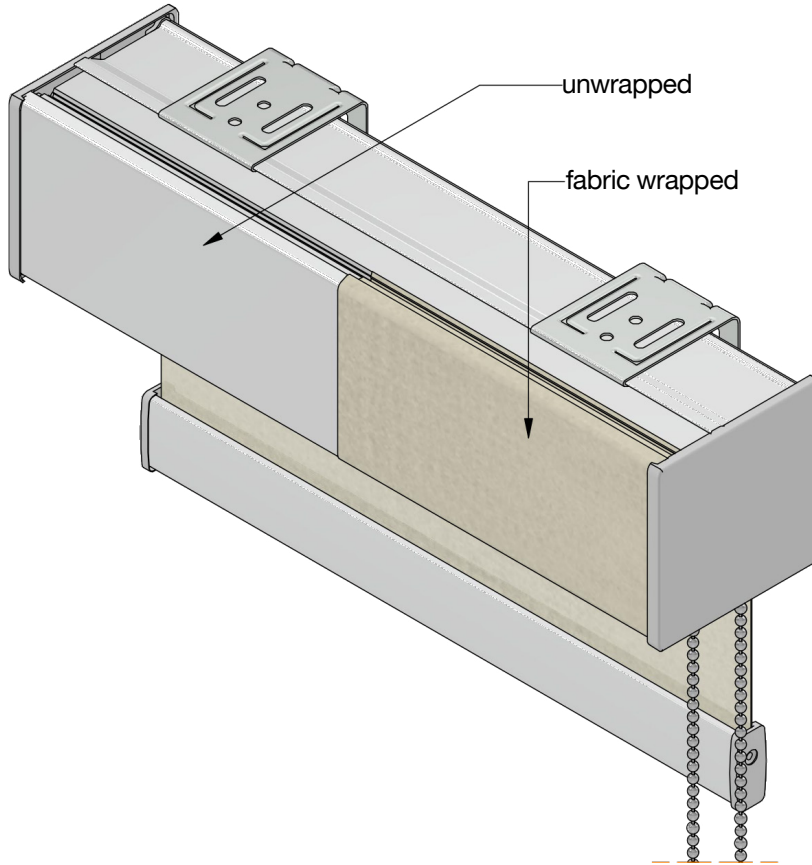
Wall Mount





Roller Shades

Valance Option: Square Cassette



Features & Benefits

- Sleek look accommodates upscale commercial needs and affords greater residential appeal.
- Front of cassette can be wrapped with fabric to match the roller shade fabric.
- Shades can be regular or reverse roll.
- Completely assembled unit conceals the roller shade from the interior and exterior space.
- Supports Multi-In-One, side-by-side shades in a single continuous cassette.
- Compatible with chain, motors, Neo, and Zero Gravity
- Snap on mounting brackets can be ceiling or wall mounted.
- Available in white, anodized, linen, and black with matching end caps.
- Provides a finished look for outside wall mounted applications (colours match bottom bar end caps).



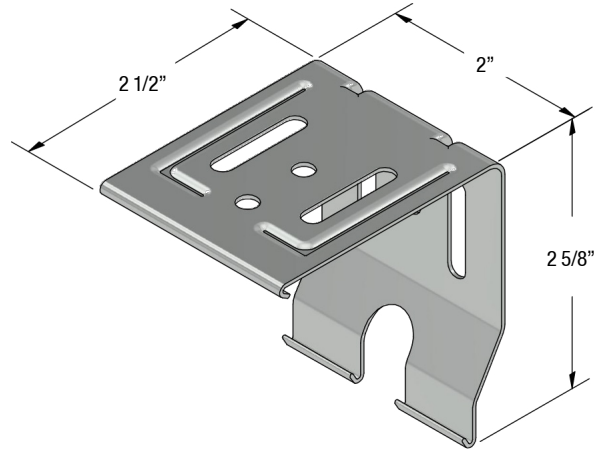
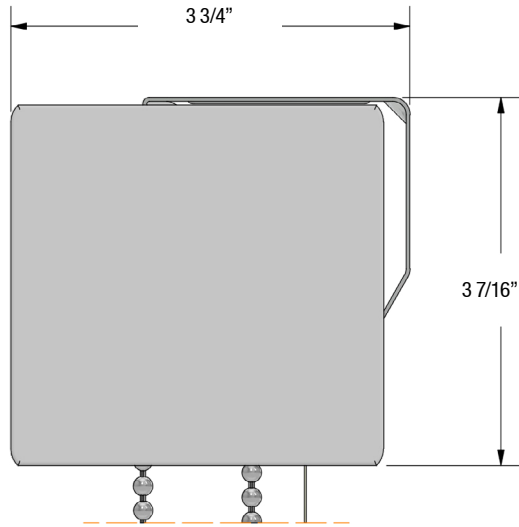
LIGHT GAP MAY INCREASE when width to height ratio is 1:2.5 or greater



Roller Shades

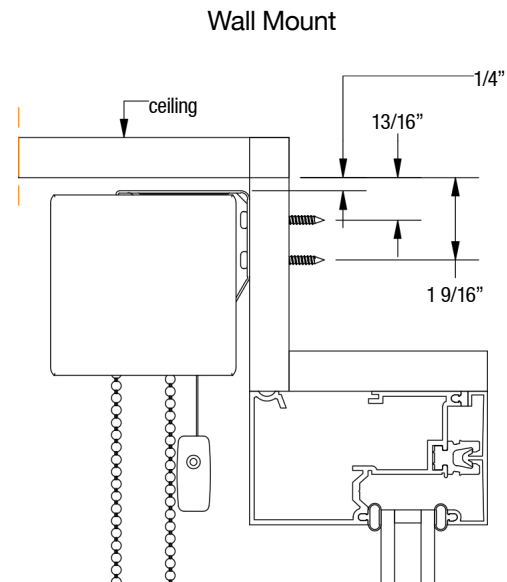
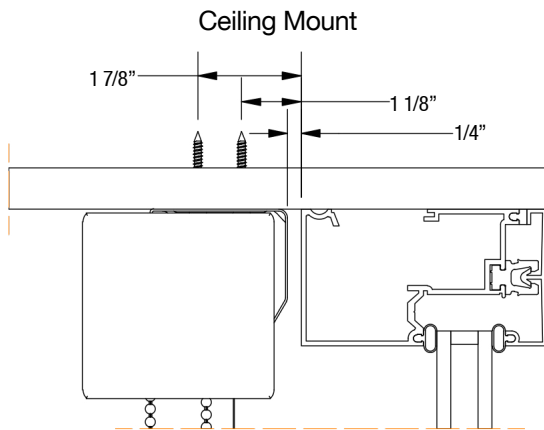
Valance Option: Square Cassette

Dimensions & Overview



Brackets Required By Width					
Shade Width	<60"	60"-96"	96"-120"	120"-148"	>148"
# of Brackets	2	3	4	5	6

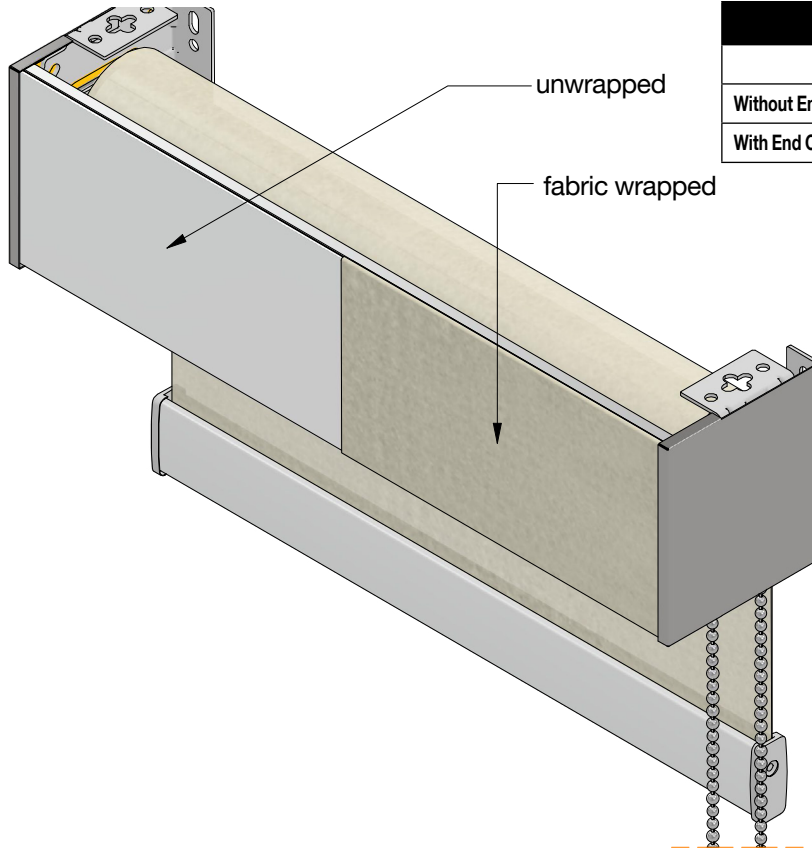
Mounting Specifications





Roller Shades

Valance Option: Square Fascia



Light Gaps		
	Idle End	Drive End
Without End Cap	1/2" ±1/8"	3/4" ±1/8"
With End Cap	5/8" ±1/8"	7/8" ±1/8"

Features & Benefits

- Conceals roller and components for a very clean and contemporary appearance.
- Compatible with chain, Zero Gravity and automated systems.
- Clip on chain diverter allows chain to hang away from the fascia and maintains a smooth feel during operation. Notching the fascia is not required.
- Simple and fast installation with universal brackets, fascia securely locks onto each bracket/guard and can be removed to allow access to the shade.
- Can be ceiling, wall or laterally mounted.
- Supports Multi-In-One, side-by-side shades in a single continuous fascia.
- Front profile of both the 3" and 4" fascia can be wrapped with fabric to match the roller shade.
- Commercial grade aluminum construction.
- Available in white, anodized, linen, and black with matching end caps. Bracket covers provide a finished look when outside mounting the fascia.



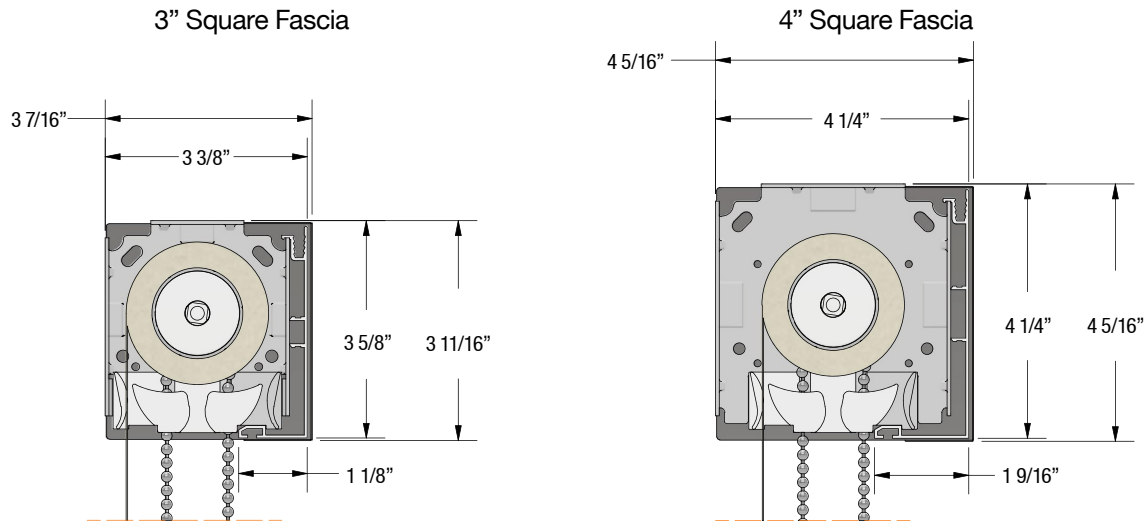
LIGHT GAP MAY INCREASE when width to height ratio is 1:2.5 or greater



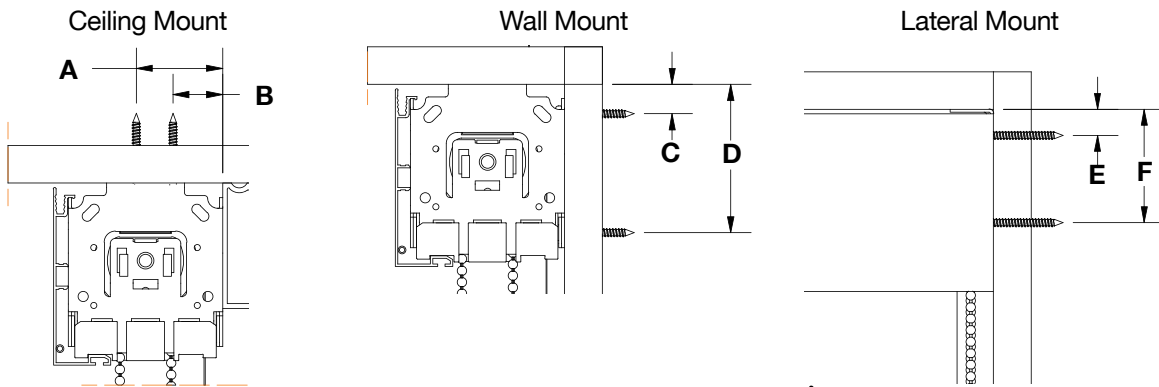
Roller Shades

Valance Option: Square Fascia

Dimensions & Overview



Mounting Specifications



⚠ LIGHT GAP IS NOT AFFECTED WHEN SHADE IS MOUNTED Laterally.

	A	B	C	D	E	F
3"	1 3/4"	1"	9/16"	2 15/16"	1/2"	2 1/4"
4"	2 3/16"	1 1/16"	9/16"	3 9/16"	9/16"	2 3/4"



Roller Shades

Valance Option: Fabric Valance



Features & Benefits

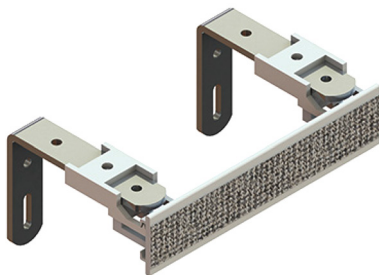
- Can be used with Open Roll Roller Shades.
- Standard is 6" (height) but custom sizes can be accommodated.
- Available with or without returns. Standard return is a 3.5" projection with a 3" wall bracket. 4", 5", and 6" wall brackets also available.
- Bottom of valance is sewn and includes an aluminum slat insert.
- Valance width cannot exceed the maximum roll width of fabric selected, as any seaming will likely be visible (see [fabric specifications page](#)).
- Railroading is an option for some fabrics but not all. For patterned fabric, railroading the valance will result in a different look than that of the shade.
- Fabric Valances can be mounted with Velcro aluminum track using wall or ceiling brackets or with plastic Velcro angle for ceiling mounting only.



LIGHT GAP MAY INCREASE when width to height ratio is 1:2.5 or greater

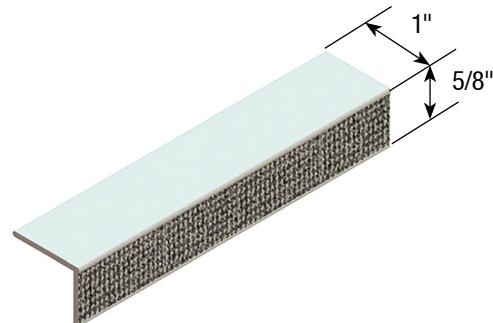
Mounting Options

Wall Mount Velcro Track



Brackets available in 3", 4", 5" and 6"
3 1/2" return standard

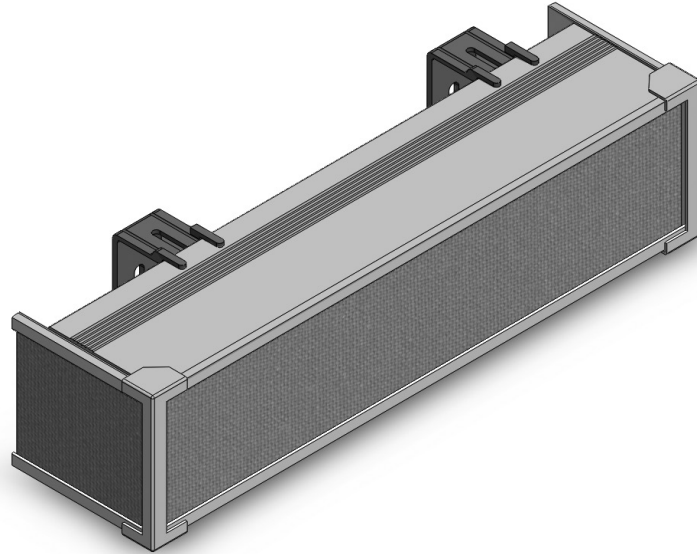
Ceiling Mount Velcro Angle





Roller Shades

Valance Option: PVC Valance



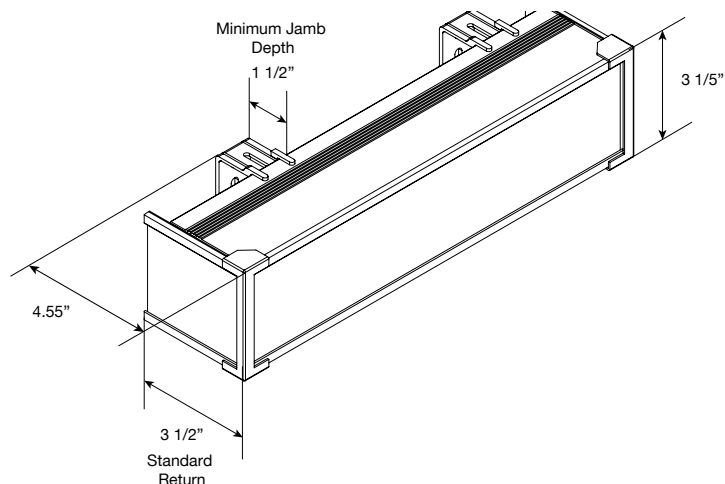
Features & Benefits

- Standard height is 3.5"
- Available with or without returns. Standard return is a 3.5" projection.
- Matching fabric insert.
- Can be ceiling or wall mounted.
- Minimum jamb depth is 1.5"
- Extended brackets are available.



LIGHT GAP MAY INCREASE when width to height ratio is 1:2.5 or greater

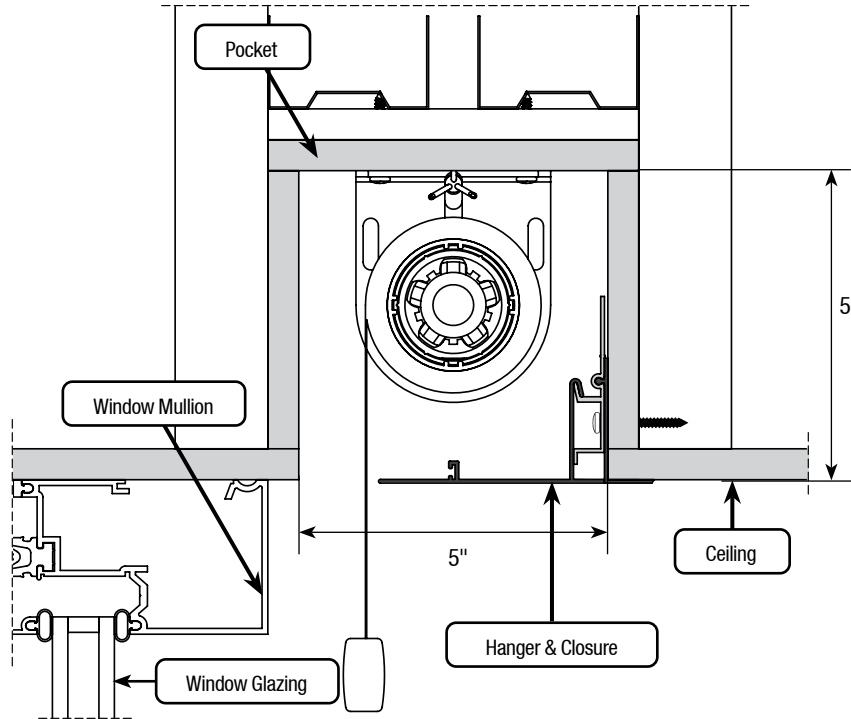
Mounting Options





Roller Shades

Recessed Pocket Enclosures



A 5"X5" POCKET IS RECOMMENDED FOR EASE OF INSTALLATION.

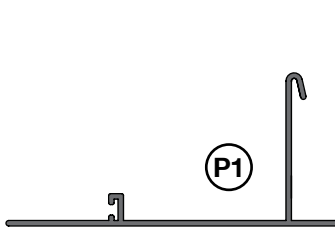
Features & Benefits

- Commercial grade aluminum construction.
- Bottom enclosure conceals shade for a seamless integrated look.
- Can be mounted inside 4" to 5" pockets or larger.
- Compatible with manual and automated systems.
- Cover is available to conceal bottom of the drywall edge.
- Bottom enclosure is removable for easy access for shade maintenance.
- Available in white and anodized

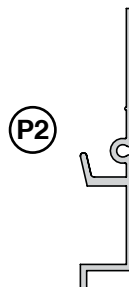
Order Codes

HC4	Hanger and Closure with Brush for 4"–5" Pocket
HCC4	Hanger and Closure with Cover and Brush for 4"–5" Pocket
HC5	Hanger and Closure with Brush for >5" Pocket
HCC5	Hanger and Closure with Cover and Brush for >5" Pocket

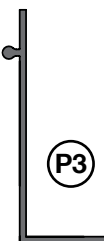
Components



P1 - Bottom Enclosure



P2 - Hanger (2" pieces)



P3 - Cover

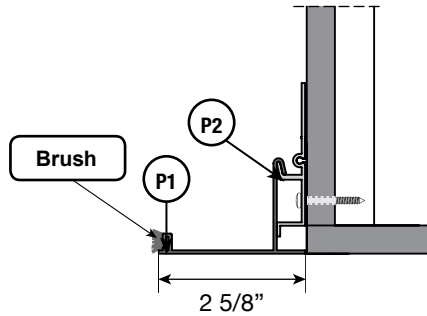


Roller Shades

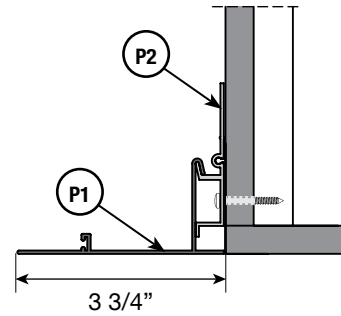
Recessed Pocket Enclosures

Standard - Without Cover

4" Pockets

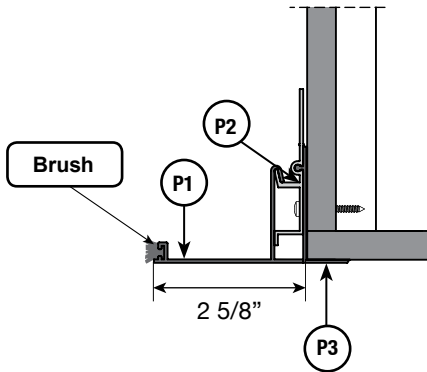


5" and Larger Pockets

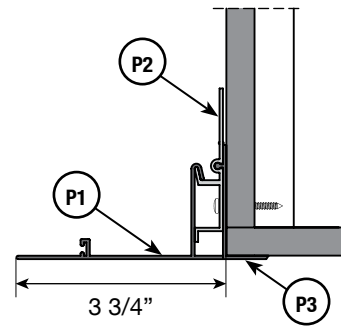


Optional - With Cover

4" Pockets

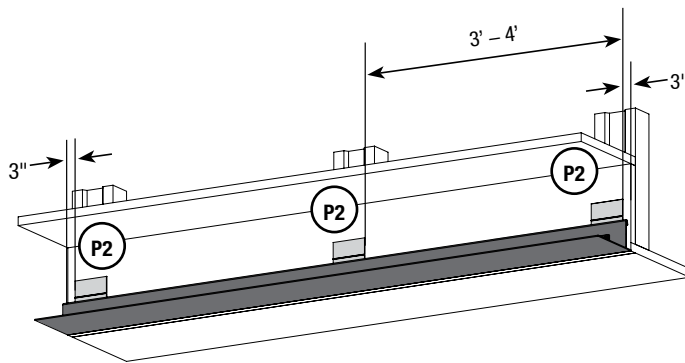


5" and Larger Pockets



When bottom enclosure is cut down a brush strip will be inserted by Sun Glow to protect the fabric from the cut edge.

Mounting Overview



Hangers (P2) are provided as a standard. Each hanger should be placed 3" from either end of the pocket. Additional hangers should be placed every 3' - 4' evenly spaced along the pocket wall.

1.5" wood mounting screw is provided with each Hanger (P2).



Ensure the screws used are appropriate for each application.



Roller Shades

Side and Bottom Channels

Side and Bottom Channel Comptibility

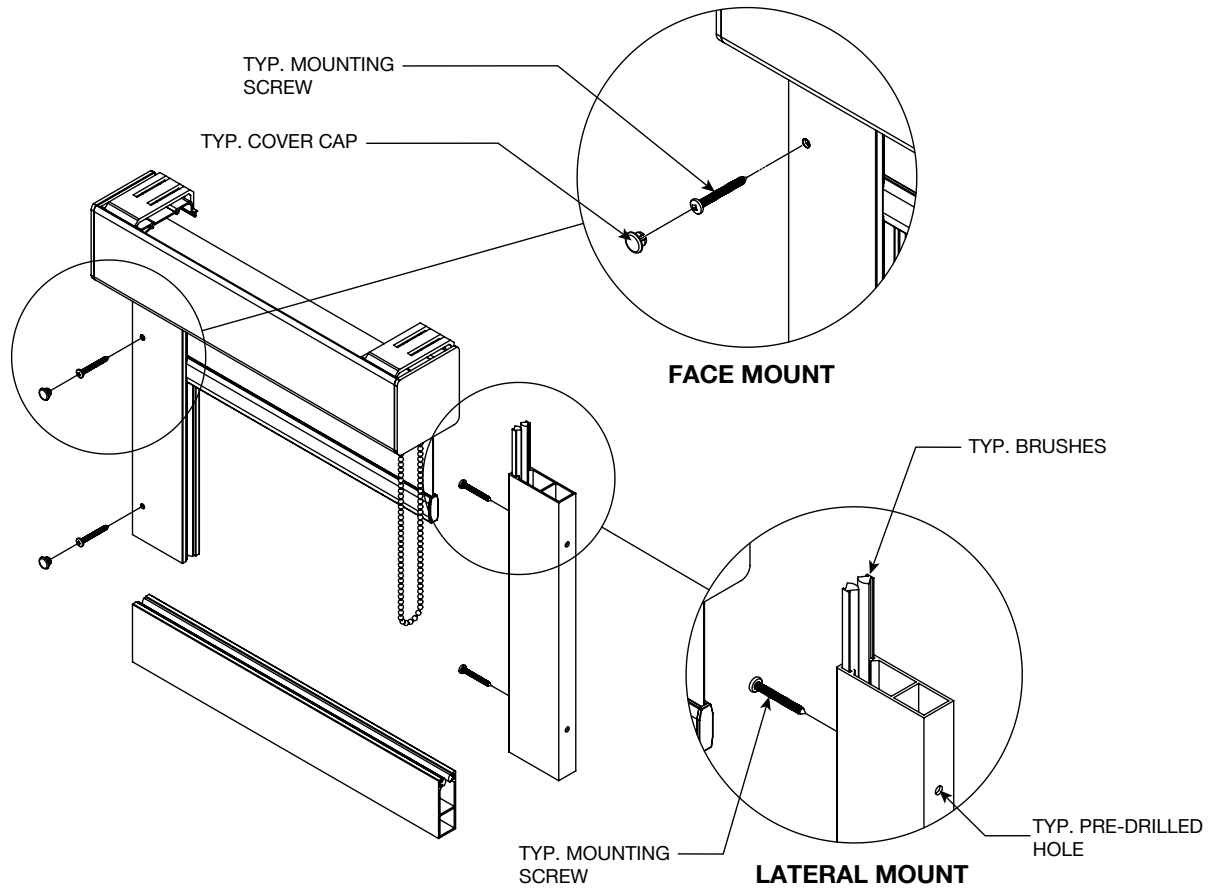
Shade Type	System Type	U Side Channels	U Side & Bottom Channels	L Side Channels	L Side & Bottom Channels
Roller Shades	Chain, Motor	•	•	•	•
	Zero Gravity, Neo	•		•	
Dual Square Fascia	Chain, Motor	•	•	•	•
	Zero Gravity	•		•	
Vision	Chain, Motor	•	•	•	•
	Zero Gravity, Neo	•		•	
Gemini	Chain, Motor	•	•	•	•
Aria	Aria Chainless System			•	
Atlas	Motor with Springbox	•	•	•	•
Interlude	Chain, Motor			•	•
	Zero Gravity			•	
Illusions	Chain, Motor			•	•
Nimbus					
Fixed Shades					
Roman Shades					
Panel Track					
Drapery Track					



Roller Shades

Side and Bottom U Channels

U Side and Bottom Channels



Order Code:

U Side Channels: SC

U Side and Bottom Channels: SBC

Features and Benefits

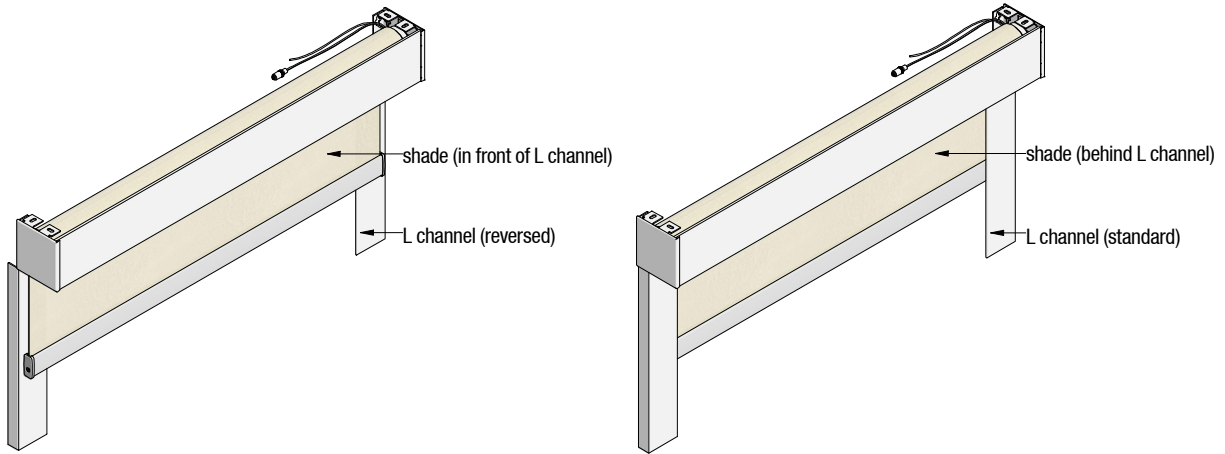
- Eliminates 99% of direct light. A small amount of indirect light may still be visible.
- Aluminum 2.5" side and bottom channel with brush.
- Recommended for inside mount applications.
- We pre-drill to your specifications based on lateral or face mount.
- Available in anodized, white, and black.
- Maximum length of 16 feet.
- Bottom bar options are limited to Plain Hem.
- Recommended use with Fascia and Vision.



Roller Shades

Room Darkening L Channels

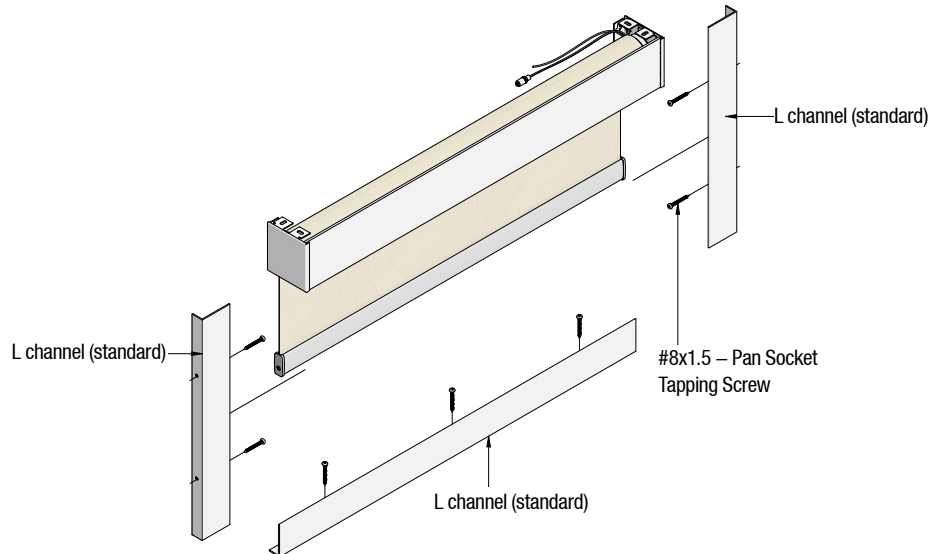
L Side and Bottom Channels



Order Codes

L Side Channels: LSC / L Side and Bottom Channels: LSBC

L Side and Bottom Channels - Mounting



Features and Benefits

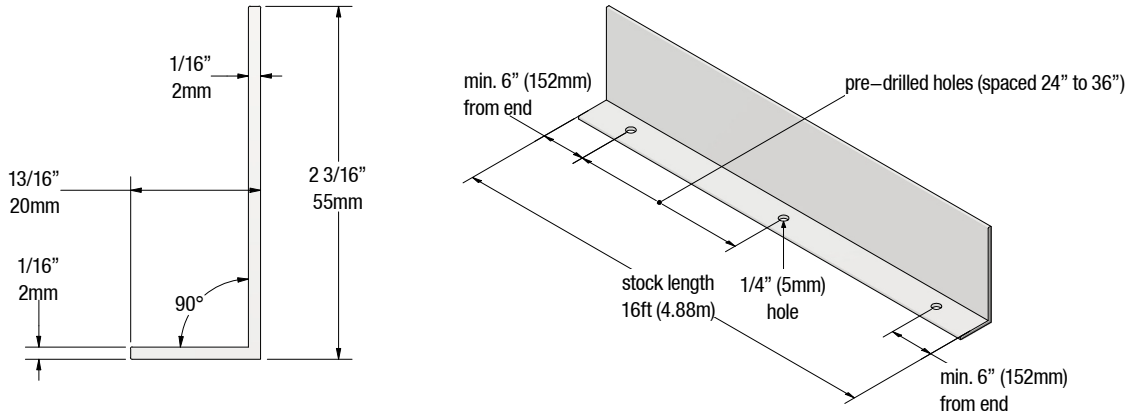
- Minimizes the light penetration that can be seen through the Roller Shade light gaps on either side.
- Works with a wide variety of Roller Shade bottom bars.
- Can be laterally mounted in the front or behind the bottom bar and fabric.
- Bottom channel reduces the Light Penetration at the bottom window ledge.
- Available in anodized, white, and black.
- Maximum length of 16 feet.



Roller Shades

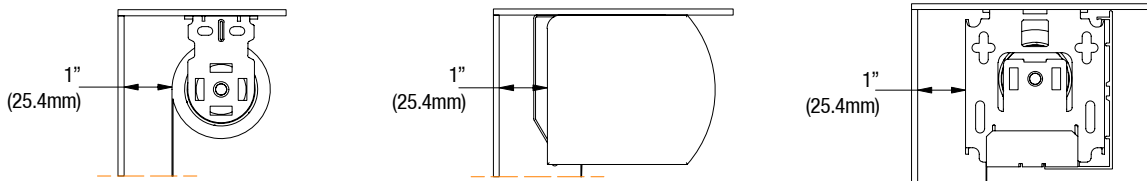
Room Darkening L Channels

L Channels - Dimensions



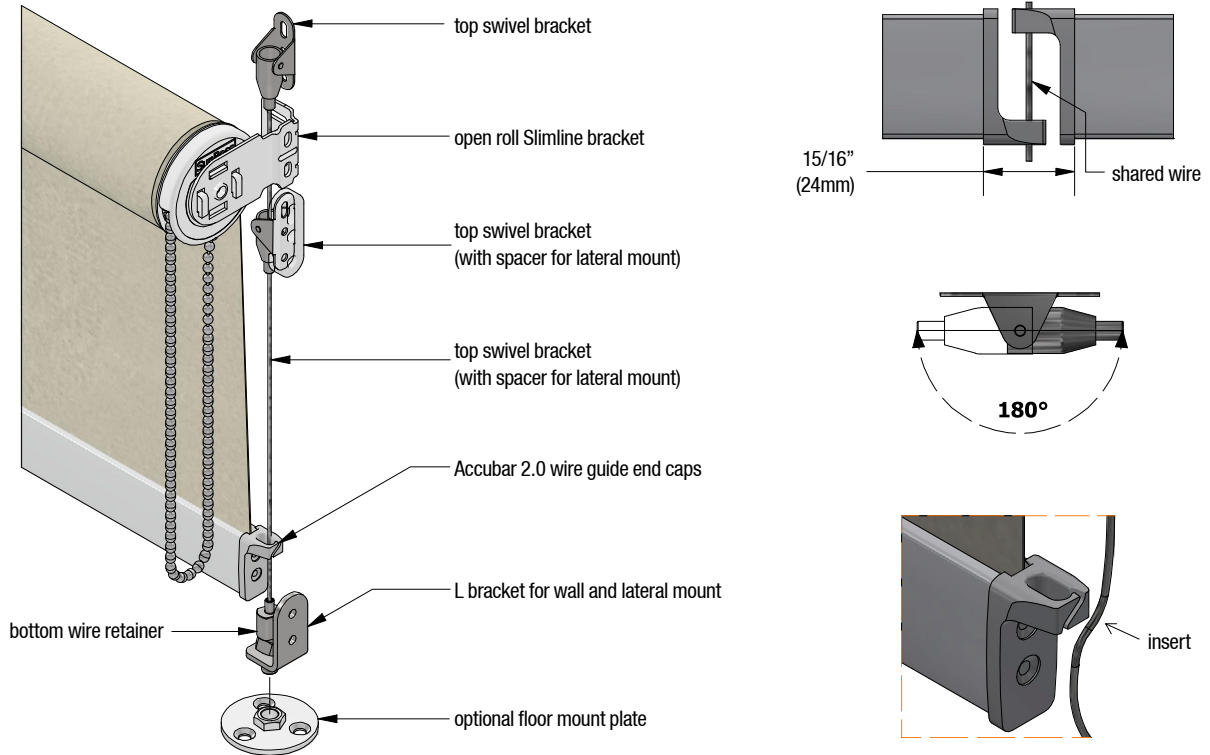
Mounting Details

If mounting the L channel behind the fabric a 1" [25.4mm] clearance is required between the shade system and glazing





Roller Shades Wire Guide



Features & Benefits

- Wire Guides are normally installed into the areas with long drop blinds or areas exposed to winds or draughts, such as from building A/C vents. The base rail is fitted with special end caps that encapsulate a fixed vertical wire that restrains the base rail from lateral movement.
- Can be ceiling, wall or laterally mounted.
- Can be adapted to existing roller shades systems without having to cut down tube or fabric. Bottom bar must be Accubar 2.0.
- Wire can only enter and exit the bottom bar cap when the wire has slack, once taut it will not separate.
- Works with a wide variety of Sun Glow systems. Wire Guides can be used in conjunction with Chain, Lift Assist Mechanisms, Zero Gravity and Motors.
- Specialized bottom bar end caps allows the bottom bar to be easily fastened to the wire.
- A single center wire can be shared by two shades by inverting the bottom bar end cap on one of the shades.
- Does not interfere with shade mounting and does not affect light gaps

Compatible with:

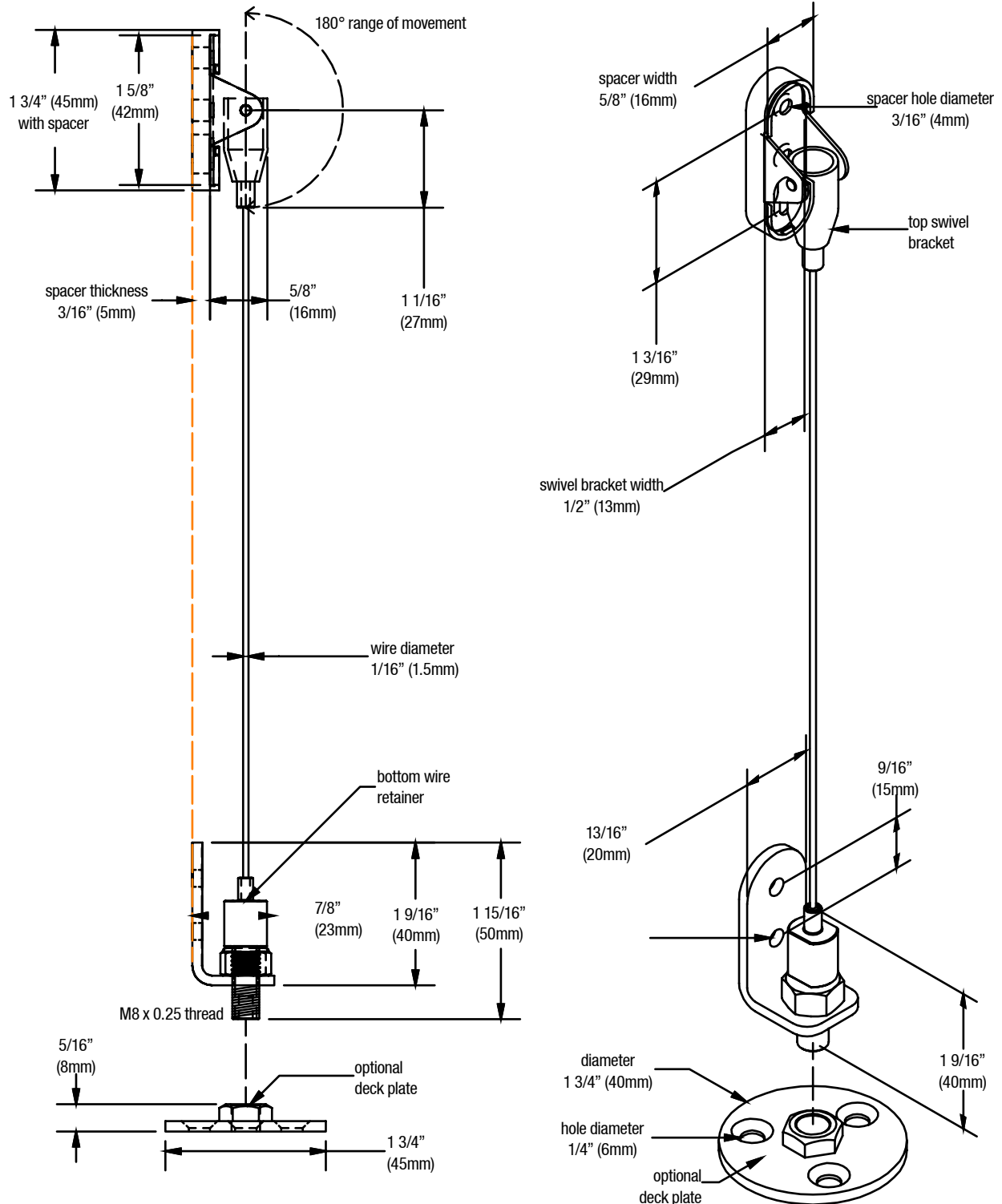
- Open roll 40mm, 55m, 75mm
- Compact Curved Cassette
- Curved Cassette
- 3" Square Fascia
- 4" Square Fascia
- Dual Open Roll
- Dual Square Fascia



Roller Shades

Wire Guide

Measurements and Dimensions

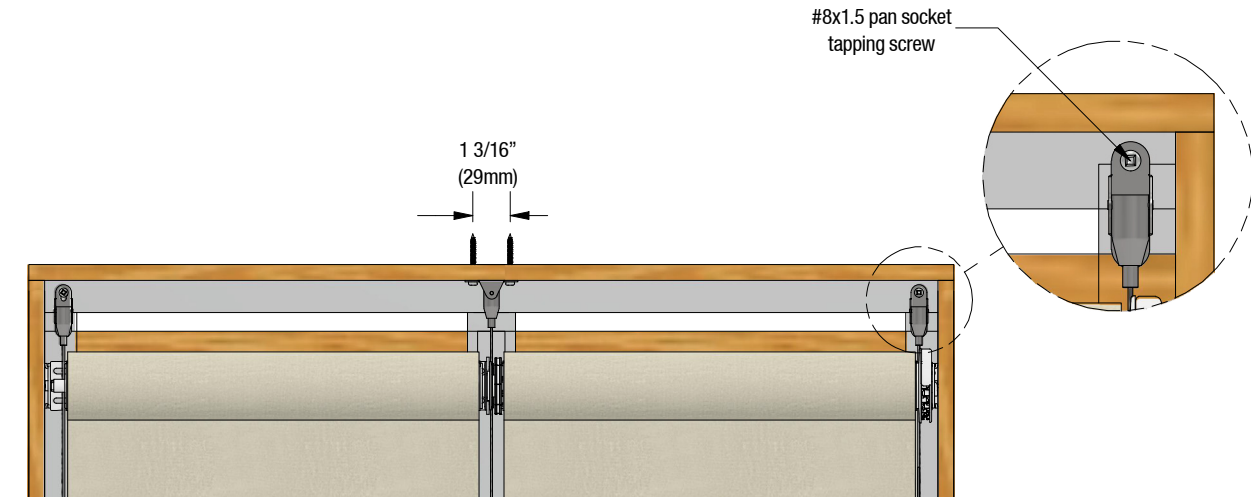




Roller Shades

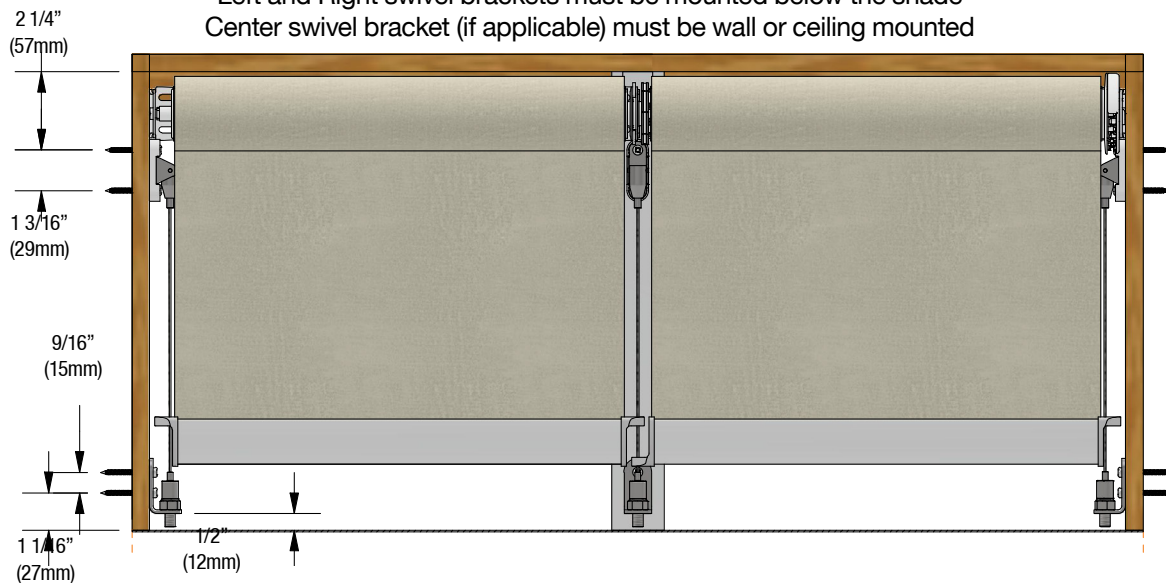
Wire Guide

Inside wall mount above brackets



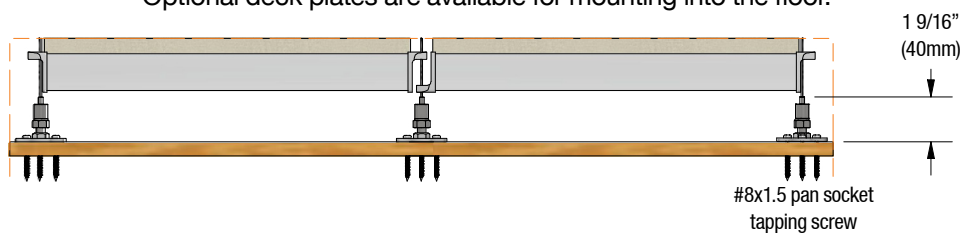
Lateral Mounting

Left and Right swivel brackets must be mounted below the shade
Center swivel bracket (if applicable) must be wall or ceiling mounted



Floor Mounting

Optional deck plates are available for mounting into the floor.

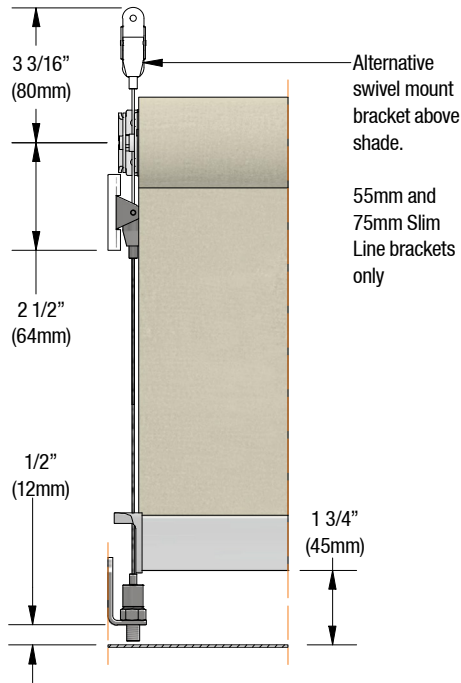




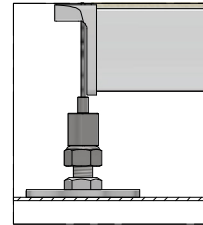
Roller Shades

Wire Guide

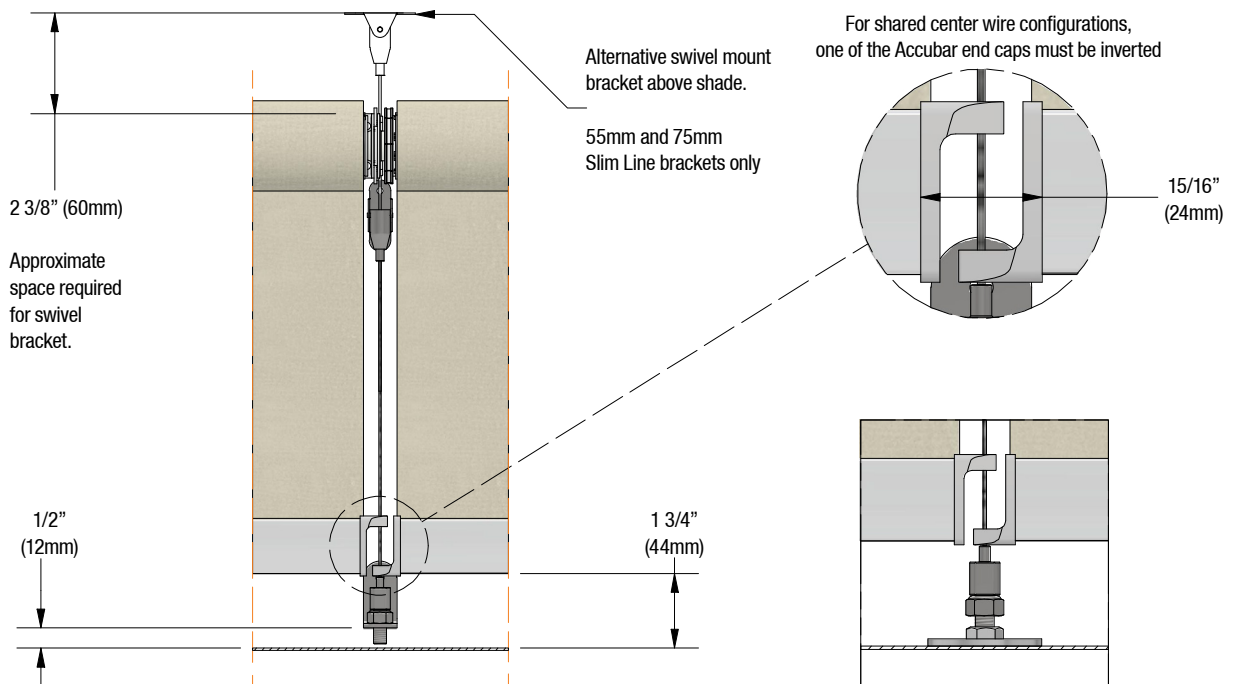
Configurations



Optional Deck Plate for floor mounting



Multibanding with shared centre wire



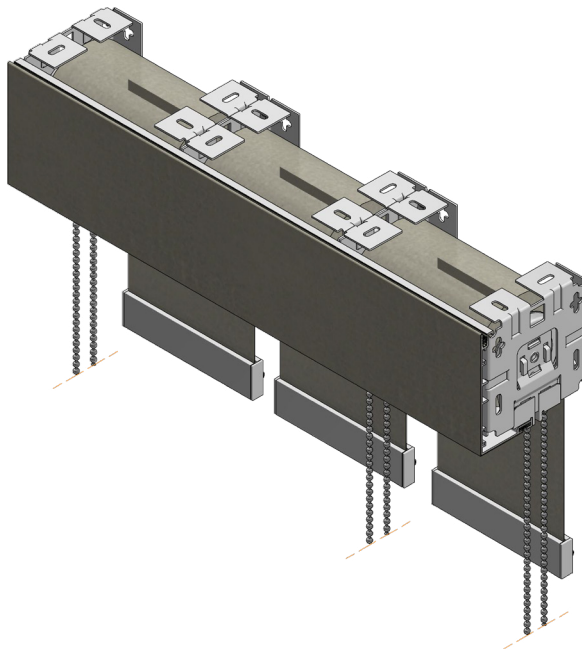


Roller Shades

Multi-In-One Shades

Configurations

Shades can be configured to have multiple shades within a single valance.



Compatible Systems:

- 3" Square Fascia
- 4" Square Fascia (shown)
- Square Cassette
- Curved Cassette
- Compact Curved Cassette
- Dual Square Fascia

Notes:

- Fabric wrapping is only available in widths that match or are narrower than the fabric width, unless the fabric can be railroaded.

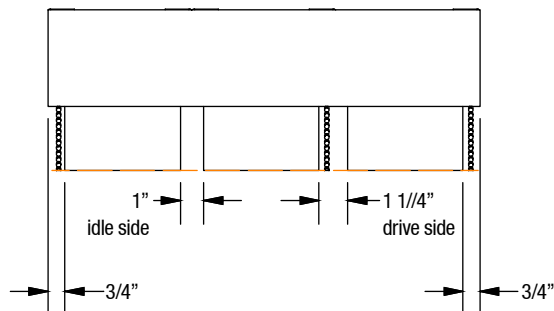
Operation:

- Each shade can have drive on left or right
- Compatible with chain, motor, and Zero Gravity operation methods
- Neo chainless available in both Curved Cassettes

Limitations:

- maximum width of 180"
- maximum of 3 shades in a single valance
- each individual shade must meet limitations

Light Gaps



Light gaps will vary depending on the valance and operating system options selected.

Notes:

- Light gap will increase by at least 1/4" on the drive side of each shade.