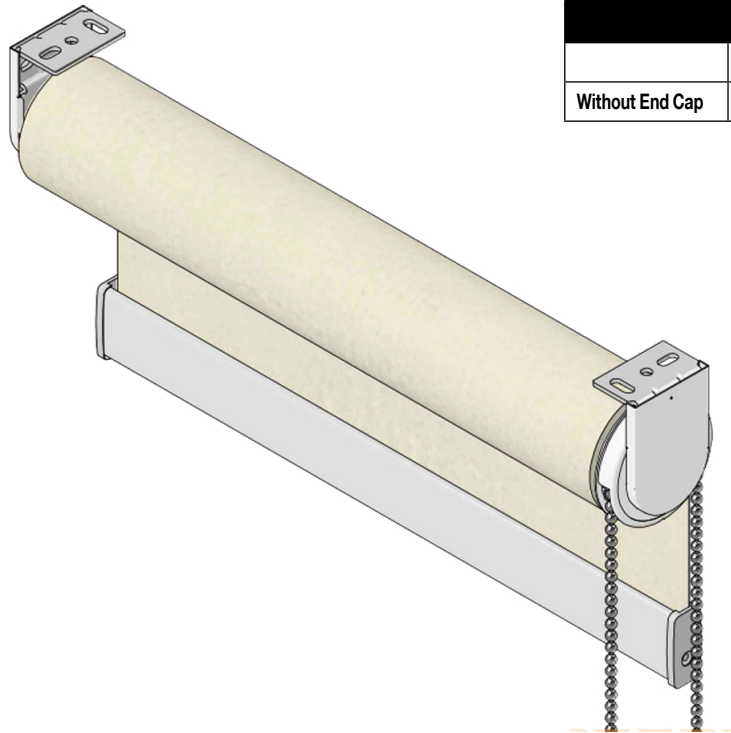




Roller Shades

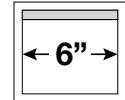
Operating System: Chain
Valance Option: Open Roll



Light Gaps		
	Drive End	Idle End
Without End Cap	1/2" ±1/8"	11/16" ±1/8"

END CAP THICKNESS: 1/32±1/64

MIN. WIDTH



Features & Benefits

- **Universal Brackets:** Can be mounted on ceilings, walls, or laterally for flexible installation.
- **Bracket Size Options:** Zinc (metallic) brackets are available in 1.26" (32mm), 1.6" (40mm), and 2.2" (55mm) to support larger roll-up diameters for bigger shades.
- **Ultra-Thin Bracket Covers:** Slim metal covers provide a finished look for outside wall-mounted applications, reduce light gaps, and are available in white, grey, linen, and black.
- **Simple and Secure Installation:** Features a spring-loaded idle end pin, clutch hooks, and a safety tab for quick and safe setup.
- **Smooth and Quiet Operation:** UV-stabilized, glass-filled nylon clutches with four small square-profiled springs ensure strength and effortless functionality.
- **SB Lift Assist Mechanism (SB LAM) Compatible:** Reduces the pull force required to lift heavy shades for easier operation.
- **Zero Gravity Compatible:** Shades can be manually raised or lowered to the desired position without the need for a clutch or chain.
- **Multi-Banded (Single Control) Options:** Connects multiple shades to a single control mechanism, allowing alignment and leveling of bottom bars.
- **Automation Options:** Supports motorized controls with wireless remotes, wall switches, or smart home devices.

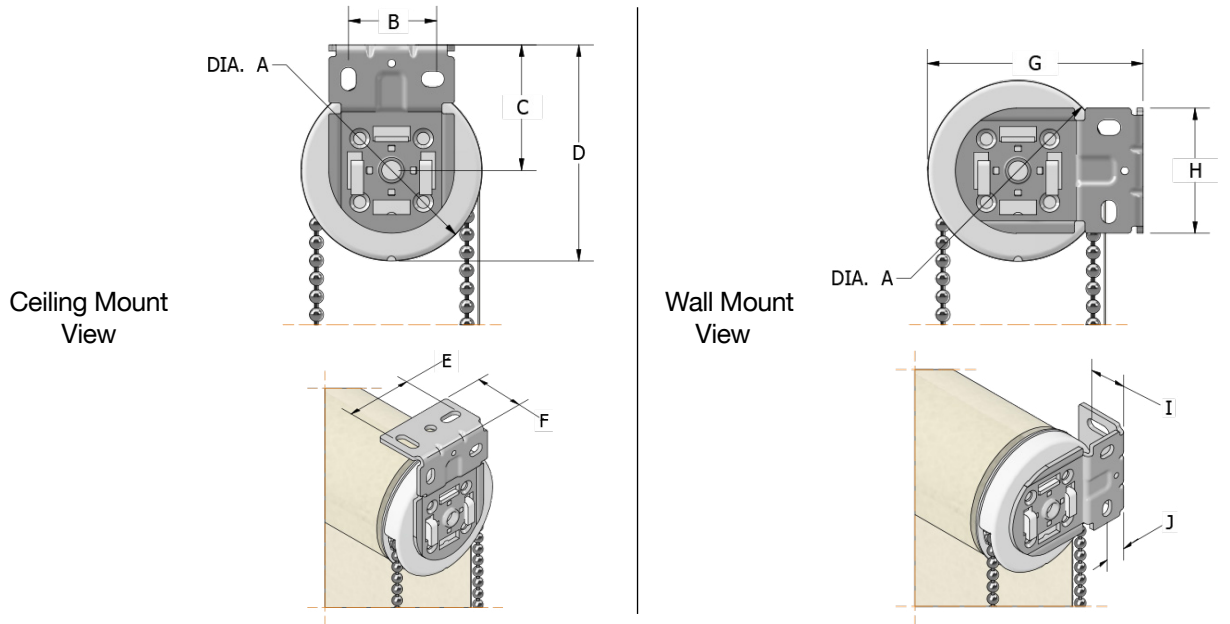


Roller Shades

Operating System: Chain

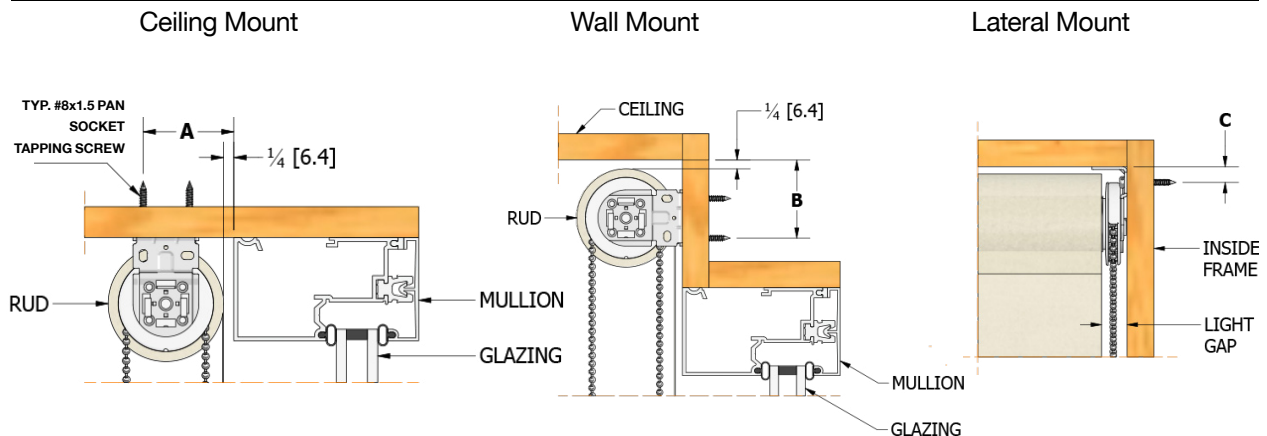
Valance Option: Open Roll

Clutch & bracket dimensions



Clutch Size	Bracket Size	A	B	C	D	E	F	G	H	I	J
1 1/4"	1 1/4"	1 11/16"	1 1/16"	1 3/16"	2"	1 5/16"	15/16"	2"	1 5/8"	5/8"	1/4"
	1 5/8"	2 1/2"	1 1/8"	1 5/8"	2 13/16"	1 5/16"	15/16"	2 13/16"	1 5/8"	5/8"	3/8"
1 1/2"	2 1/8"	2 1/2"	1 1/8"	2 1/8"	3 3/8"	1 5/16"	15/16"	3 3/8"	1 5/8"	5/8"	3/8"

Open Roll Mounting Specifications



Clutch Size	Bracket Size	Max Roll Up Diameter	A	B	C
			(MEASUREMENT FROM WALL FACE TO FURTHEST SCREW)	(MEASUREMENT FROM CEILING FACE TO FURTHEST SCREW)	(MEASUREMENT FROM CEILING FACE TO FURTHEST SCREW)
1 1/4"	1 1/4"	2 1/16"	1 7/8"	1 7/8"	1/4"
1 1/2"	1 5/8"	3"	2 3/16"	2 3/16"	7/16"
	2 1/8"	3 11/16"	2 9/16"	2 9/16"	7/16"