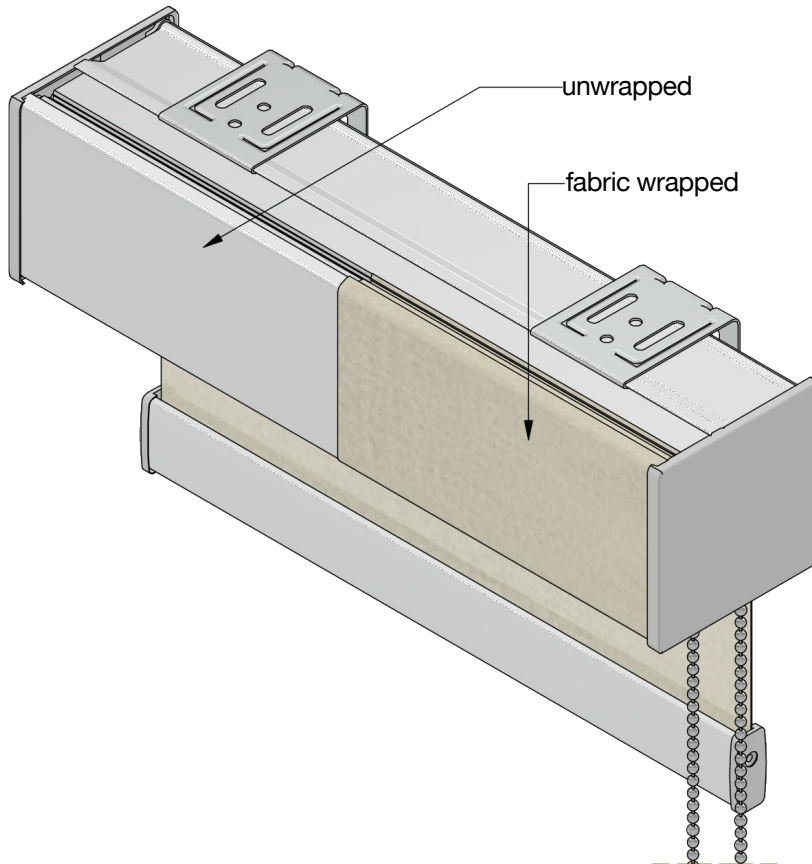




Roller Shades

Valance Option: Square Cassette



Features & Benefits

- Sleek look accommodates upscale commercial needs and affords greater residential appeal.
- Front of cassette can be wrapped with fabric to match the roller shade fabric.
- Shades can be regular or reverse roll.
- Completely assembled unit conceals the roller shade from the interior and exterior space.
- Supports Multi-In-One, side-by-side shades in a single continuous cassette.
- Compatible with chain, motors, Neo, and Zero Gravity
- Snap on mounting brackets can be ceiling or wall mounted.
- Available in white, anodized, linen, and black with matching end caps.
- Provides a finished look for outside wall mounted applications (colours match bottom bar end caps).



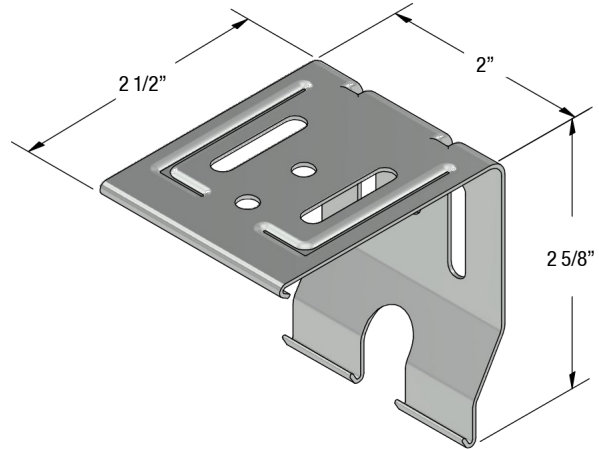
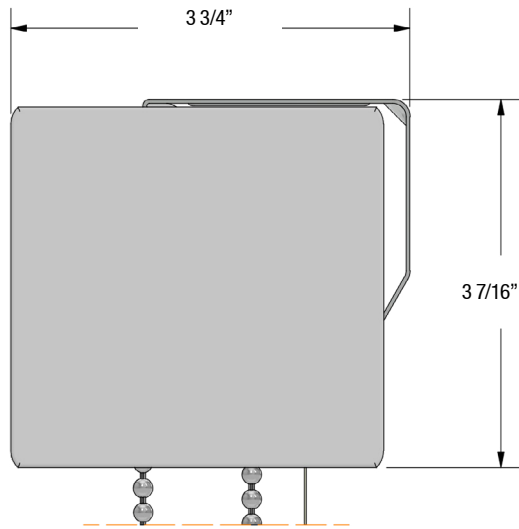
LIGHT GAP MAY INCREASE when width to height ratio is 1:2.5 or greater



Roller Shades

Valance Option: Square Cassette

Dimensions & Overview



Brackets Required By Width					
Shade Width	<60"	60"-96"	96"-120"	120"-148"	>148"
# of Brackets	2	3	4	5	6

Mounting Specifications

