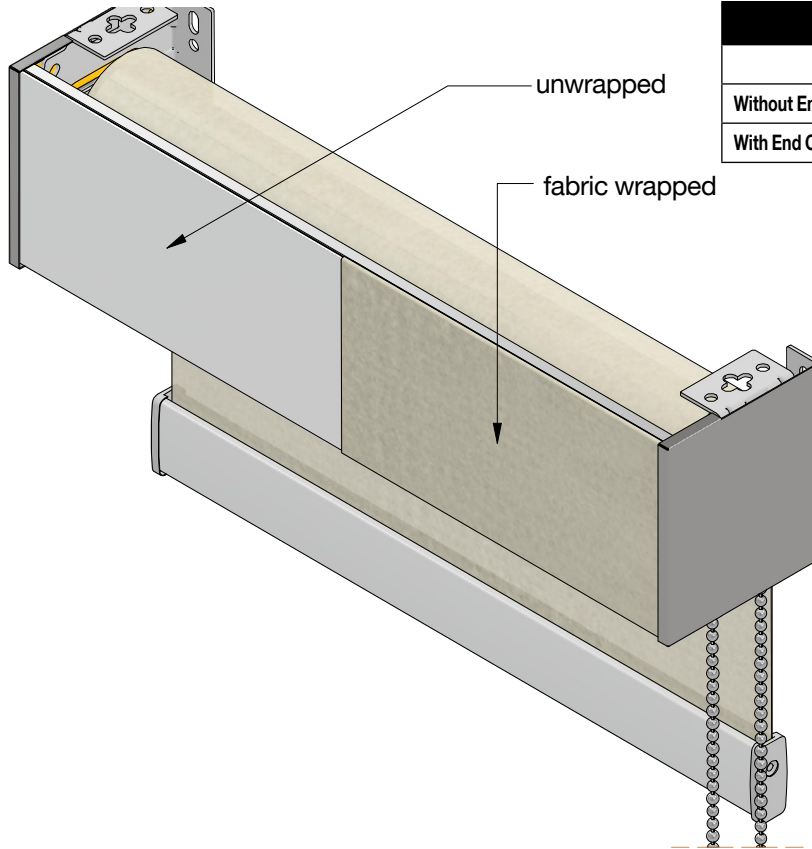




# Roller Shades

## Valance Option: Square Fascia



Light Gaps		
	Idle End	Drive End
Without End Cap	1/2" ±1/8"	3/4" ±1/8"
With End Cap	5/8" ±1/8"	7/8" ±1/8"

### Features & Benefits

- Conceals roller and components for a very clean and contemporary appearance.
- Compatible with chain, Zero Gravity and automated systems.
- Clip on chain diverter allows chain to hang away from the fascia and maintains a smooth feel during operation. Notching the fascia is not required.
- Simple and fast installation with universal brackets, fascia securely locks onto each bracket/guard and can be removed to allow access to the shade.
- Can be ceiling, wall or laterally mounted.
- Supports Multi-In-One, side-by-side shades in a single continuous fascia.
- Front profile of both the 3" and 4" fascia can be wrapped with fabric to match the roller shade.
- Commercial grade aluminum construction.
- Available in white, anodized, linen, and black with matching end caps. Bracket covers provide a finished look when outside mounting the fascia.



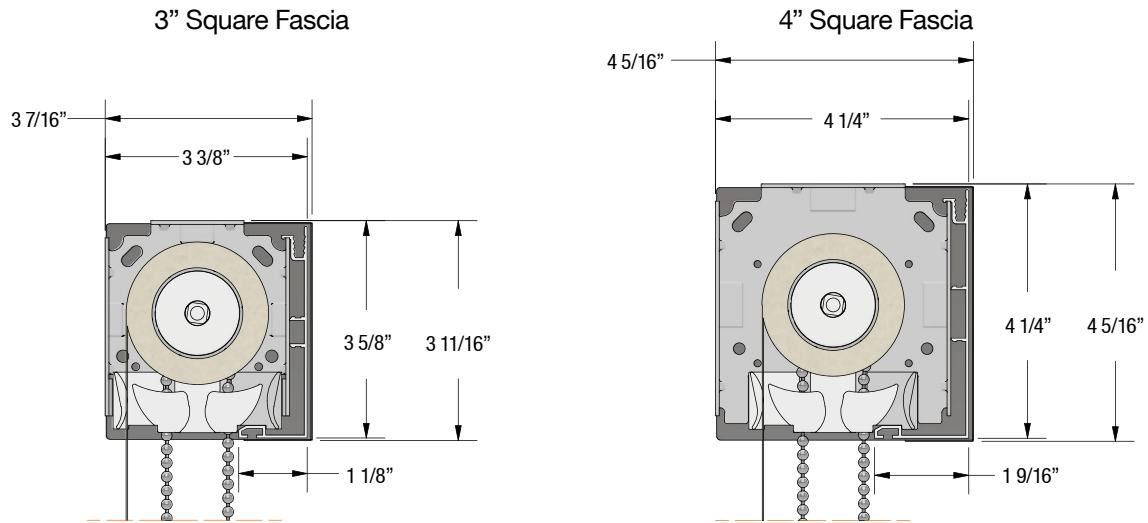
**LIGHT GAP MAY INCREASE** when width to height ratio is 1:2.5 or greater



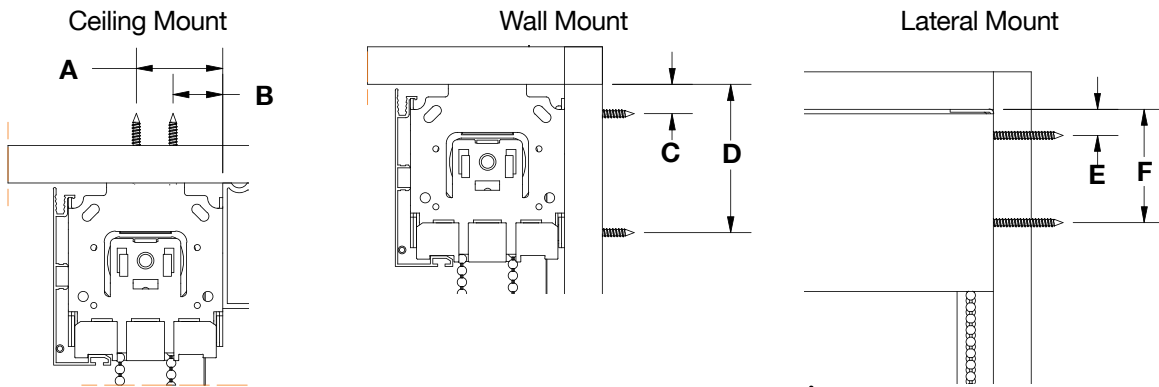
# Roller Shades

## Valance Option: Square Fascia

### Dimensions & Overview



### Mounting Specifications



**⚠ LIGHT GAP IS NOT AFFECTED WHEN SHADE IS MOUNTED Laterally.**

	A	B	C	D	E	F
3"	1 3/4"	1"	9/16"	2 15/16"	1/2"	2 1/4"
4"	2 3/16"	1 1/16"	9/16"	3 9/16"	9/16"	2 3/4"