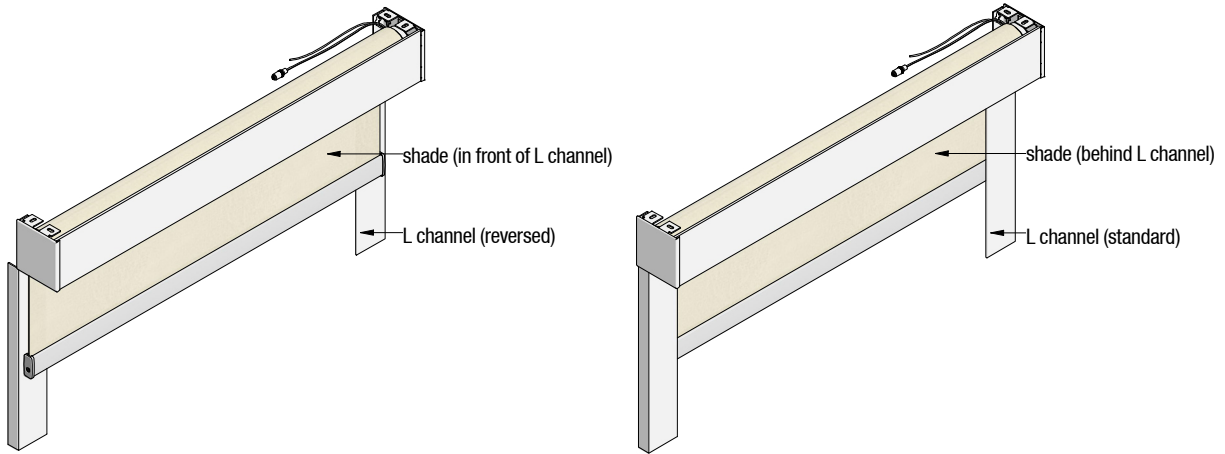




Roller Shades

Room Darkening L Channels

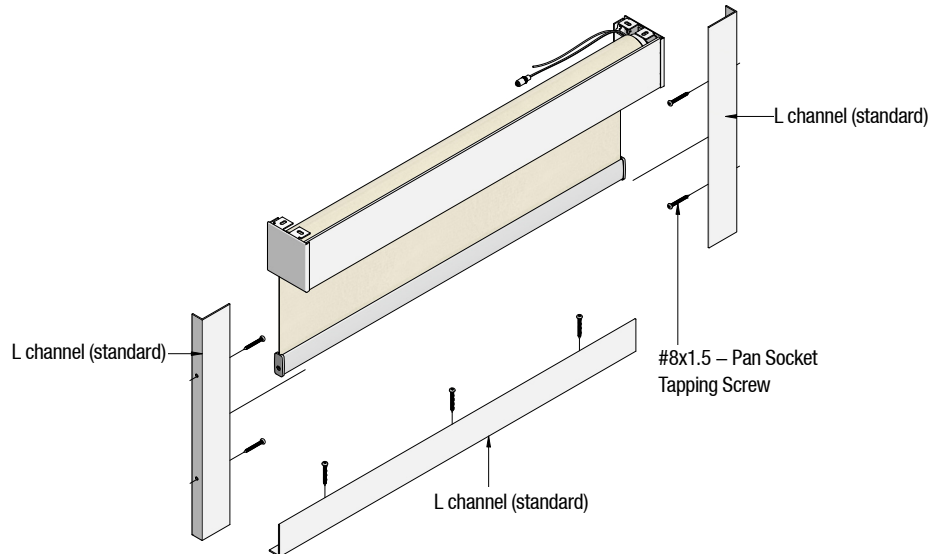
L Side and Bottom Channels



Order Codes

L Side Channels: LSC / L Side and Bottom Channels: LSBC

L Side and Bottom Channels - Mounting



Features and Benefits

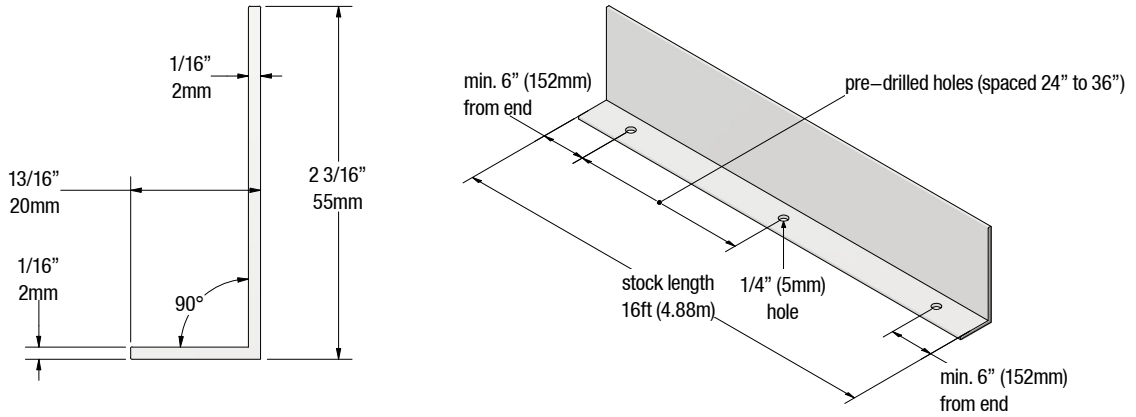
- Minimizes the light penetration that can be seen through the Roller Shade light gaps on either side.
- Works with a wide variety of Roller Shade bottom bars.
- Can be laterally mounted in the front or behind the bottom bar and fabric.
- Bottom channel reduces the Light Penetration at the bottom window ledge.
- Available in anodized, white, and black.
- Maximum length of 16 feet.



Roller Shades

Room Darkening L Channels

L Channels - Dimensions



Mounting Details

If mounting the L channel behind the fabric a 1" [25.4mm] clearance is required between the shade system and glazing

