

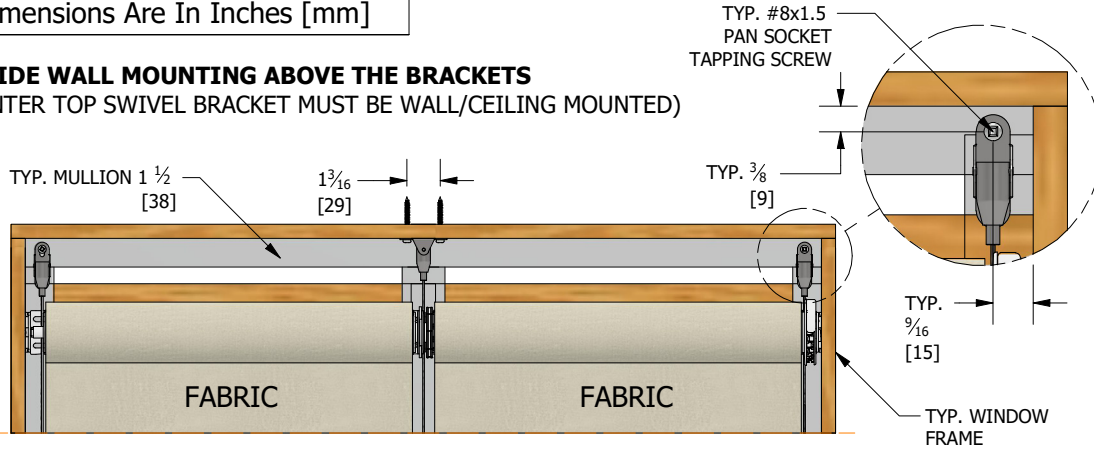


Fabric, Hem, and Finish Options

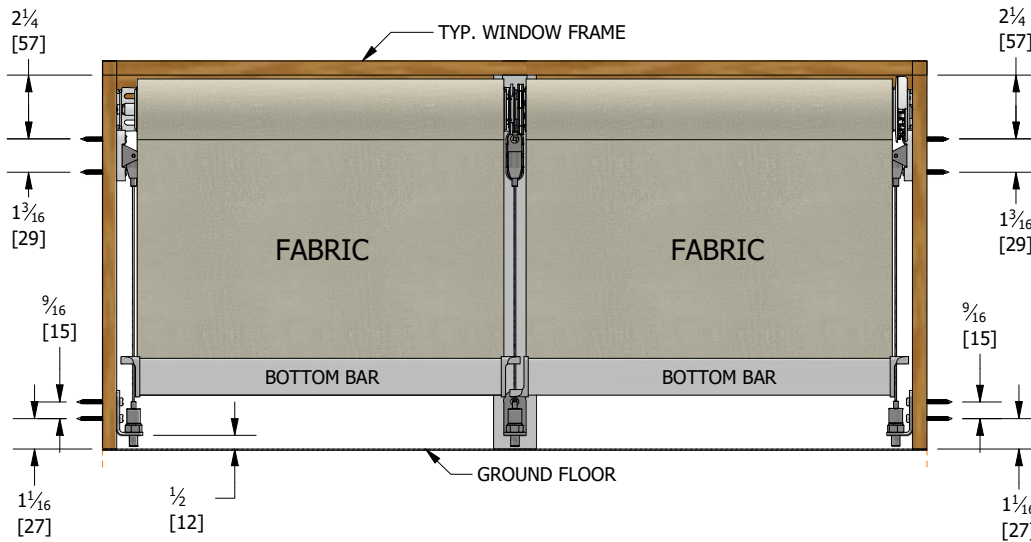
Wire Guide

All Dimensions Are In Inches [mm]

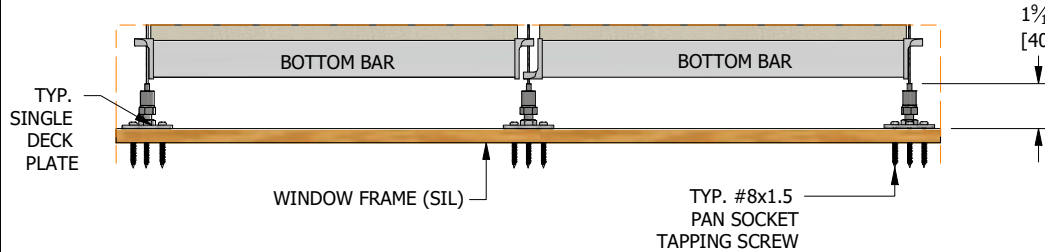
INSIDE WALL MOUNTING ABOVE THE BRACKETS (CENTER TOP SWIVEL BRACKET MUST BE WALL/CEILING MOUNTED)



OUTSIDE LATERAL MOUNTING BELOW THE BRACKETS (CENTER TOP SWIVEL BRACKET MUST BE WALL/CEILING MOUNTED)



OPTIONAL: DECK PLATE FOR FLOOR MOUNTING



SCALE:	1 / 6	DWG.#:	OR-MD-SB-01	DATE:	2022-11-18	REV:	5	DWG.BY:	R.G.
--------	-------	--------	-------------	-------	------------	------	---	---------	------



Fabric, Hem, and Finish Options

Wire Guide

All Dimensions Are In Inches [mm]

INVERTIBLE BAR END CAPS

TOP SWIVEL BRACKET (MOVEMENT)

WIRE FEEDING END CAP DESIGN

COMPATIBLE SYSTEMS:

- OPEN ROLL (40mm, 55mm & 75mm SLIM LINE BRACKETS)
- COMPACT CURVED CASSETTE
- CURVED CASSETTE
- 3 SQUARE FASCIA
- 4 SQUARE FASCIA
- DUAL OPEN ROLL
- DUAL SQUARE FASCIA

NOTE: OPEN ROLL SHOWN AS AN EXAMPLE.

FEATURES	BENEFITS
Minimal Base Rail Movement	Wire Guides are normally installed into the areas with long drop blinds or areas exposed to winds or draughts, such as from building A/C vents. The base rail is fitted with special end caps that encapsulate a fixed vertical wire that restrains the base rail from lateral movement.
Simple and Safe Installation	Wire guide system is designed to be ceiling, wall or laterally mounted.
Versatility	Can be adapted to existing roller shades systems without having to cut down tube or fabric. Bottom bar must be Accubar 2.0.
Compatibility	Works with a wide variety of Sun Glow systems. Wire Guides can be used in conjunction with Chain, Lift Assist Mechanisms, Zero Gravity and Motorized (AC/DC) Drives.
Wire Feeding End Cap Design	Allows the Bottom Bar to be easily fastened to the Stainless Steel Wire with the Slanted Gap on the Bottom Bar End Caps.
Invertible End Caps	Wire bottom Bar End Caps, can be used singularly on individual blinds or a inverted pairs when sharing a common center wire.
Ball Locking Mechanism	Allows Stainless Steel Wire to easily insert and lock into the Top Swivel Bracket and Wire Retainer Bottom Fixing.

SCALE:	1 / 3.5	DWG.#:	WG-F&B-SB-01	DATE:	2022-11-25	REV:	6	DWG.BY:	R.G.
--------	---------	--------	--------------	-------	------------	------	---	---------	------



Fabric, Hem, and Finish Options

Wire Guide

