

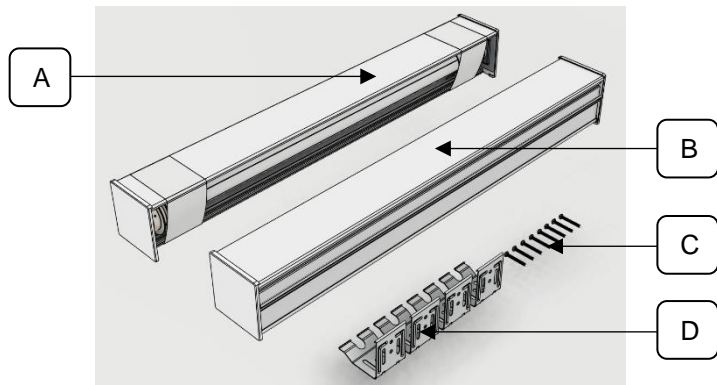


ATLAS 2.0 Install Instructions

⚠ WARNING	⚠ MISE EN GARDE
STRANGULATION HAZARD — Young children can be strangled by cords. Immediately remove this product if a cord longer than 22 cm or a loop exceeding 44 cm around becomes accessible.	RISQUE D'ÉTRANGLEMENT — Les enfants en bas âge peuvent s'étrangler avec des cordes. Enlevez immédiatement ce produit si une corde mesurant plus de 22 cm devient accessible ou si le contour d'une boucle de plus de 44 cm devient accessible.

NOTE: Fabric wrapped valances must be handled with care

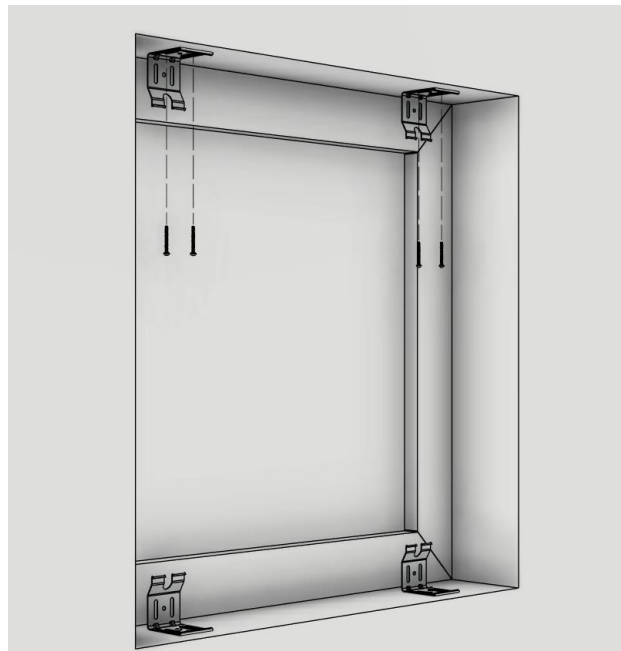
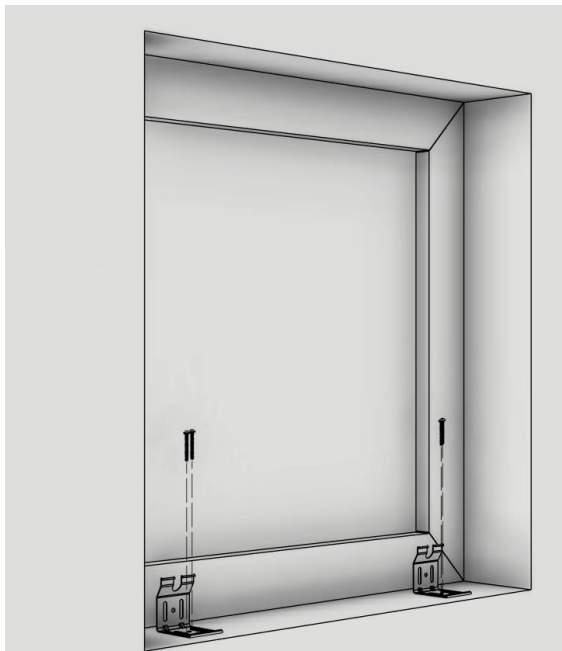
PREPARATION



Component List	
A	Upper Cassette (With Motor)
B	Lower Cassette (With Shade)
C	Mounting Hardware
D	Mounting Brackets

STEP 1 – INSTALL UPPER & LOWER CASSETTE MOUNTING BRACKETS

With mounting hardware provided install the upper and lower cassette mounting brackets. Brackets can be ceiling or wall mounted depending on the application. Image below shows ceiling mount only outside wall mounting can be observed by referring to the ***Curved Cassette Install Instructions***.

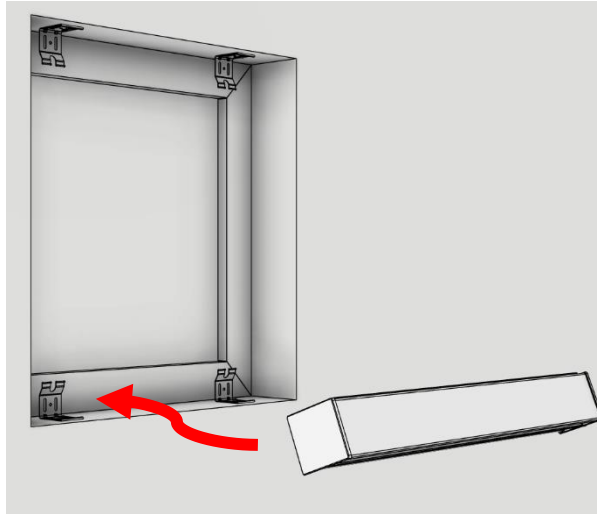




ATLAS 2.0 Install Instructions

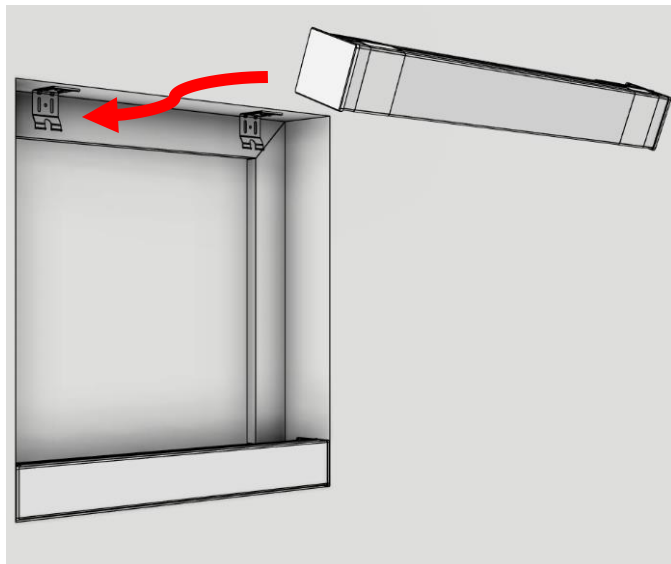
STEP 2 – INSTALL THE LOWER CASSETTE

Clip in the lower cassette into the installed bottom mounting brackets.



STEP 3 – INSTALL THE UPPER CASSETTE

Clip in the upper cassette into the installed top mounting brackets.



STEP 4 – PREPARING THE LIFT STRAPS

Carefully cut the shipping wrapping off at the bottom of the upper cassette this will expose 12mm clear lift strap that is attached to the weight.

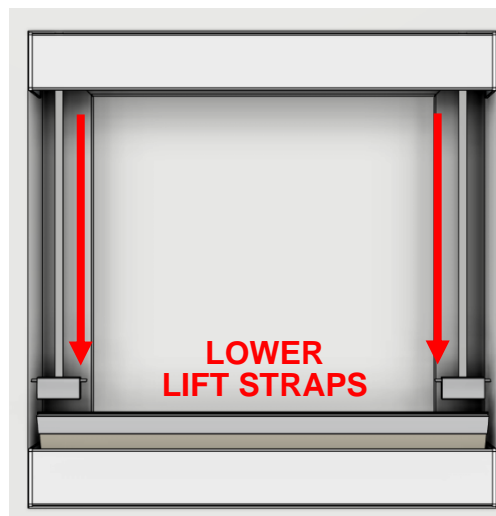


DO NOT REMOVE THE WEIGHT: The weight is designed to keep the spool under tension and should not be removed until the lift strap is ready to be inserted into the bottom bar.



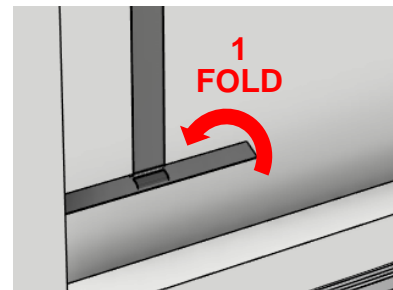
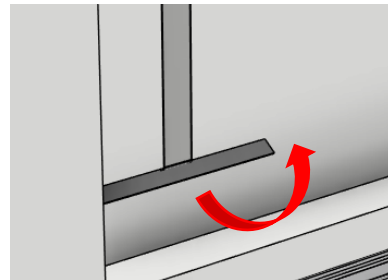
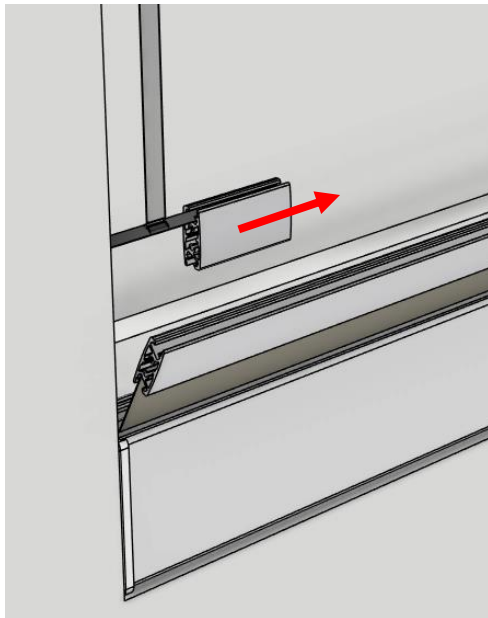
STEP 5 – LOWER THE LIFT STRAPS

While each strap is dangling, activate the motor and carefully lower the lift straps as close to the lower cassette as possible. Both lift straps should lower at the same time.

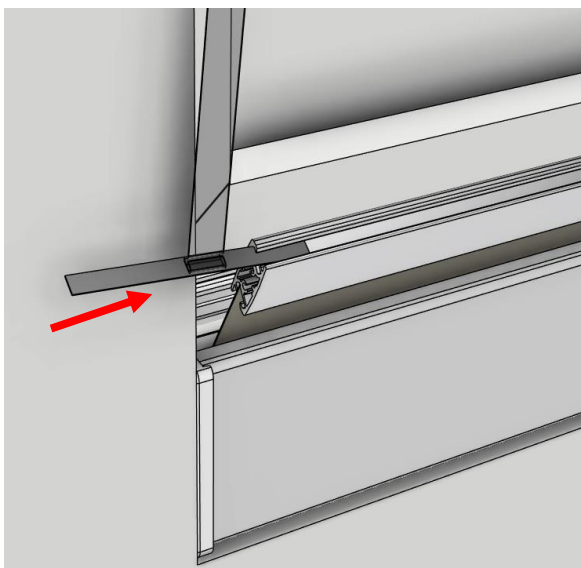


STEP 6 – INSERT THE LIFT STRAPS ONTO BOTTOM BAR

Starting at one end, while keeping the strap taut, carefully remove the weight and fold the lift strap once in the direction indicated.



Insert the folded lift strap into the bottom bar spline. The shade might have to be lifted by hand slightly to fit the spline in.



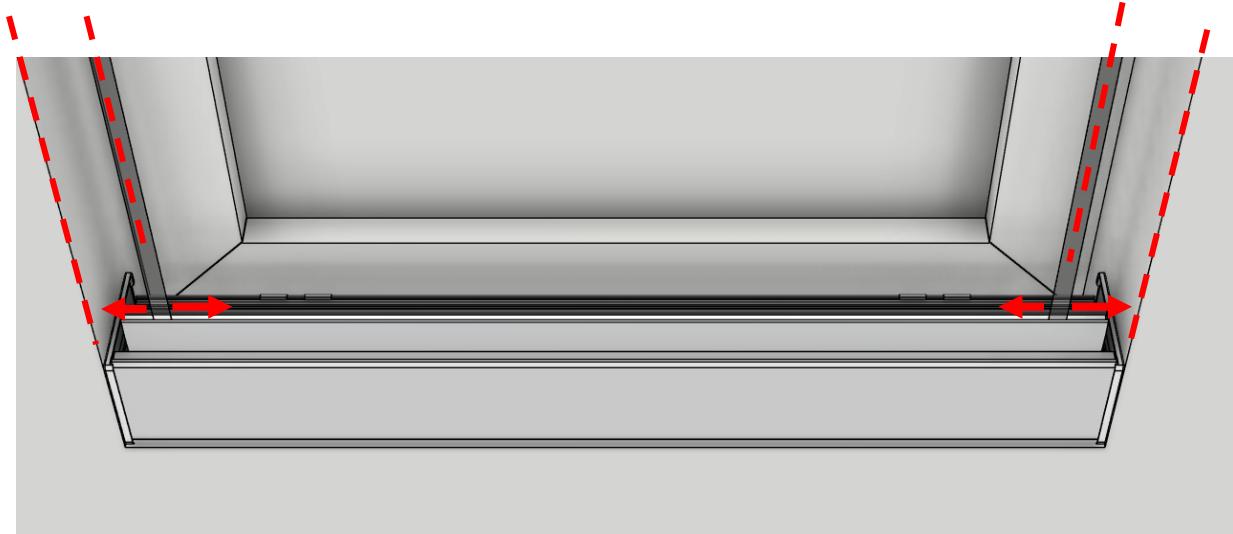
Repeat Step 6 for the other side of the bottom bar.



ATLAS 2.0 Install Instructions

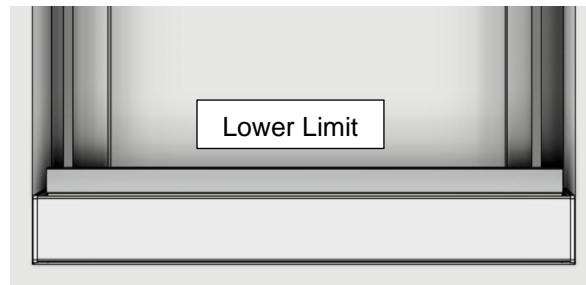
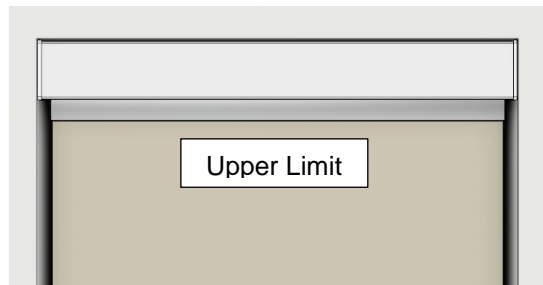
STEP 7 – POSITION THE LIFT STRAPS

Ensure the lift strap is parallel to each side of the window frame. Once aligned, cut off any excess strap sticking out of the bottom bar.

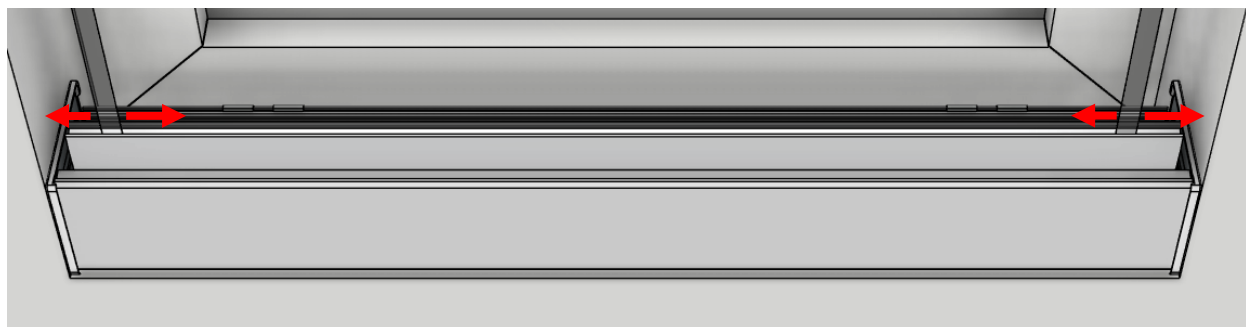


STEP 7 – ALIGNING THE LIFT STRAPS

Move the shade to its upper and lower limit while ensuring the lift strap wraps around the tube between each spool evenly without wandering left or right excessively.



If the strap wanders to much or does not look aligned while the shade was moving, **finely** adjust the strap left or right and repeat the movement to the upper and lower limit until the strap is properly aligned and the movement looks good.



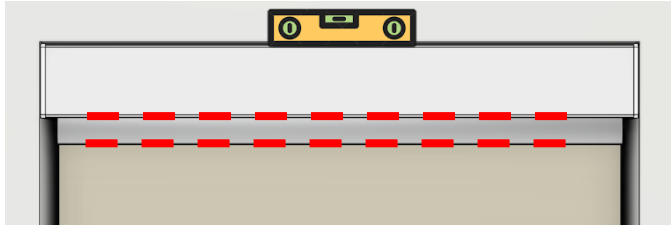


ATLAS 2.0 Install Instructions

STEP 8 – LEVEL THE BOTTOM BAR (THE TAPE METHOD)

If the bottom bar does not look level with the upper cassette, the tape method can be applied. Bring the shade to the lower limit and apply clear tape to the underside of the spool. This should be done on the side that needs to be raised up. Use the tape levelling table below to determine how much tape to use.

Tape Required: Optically Clear Laminating Tape 1/2" Wide (Vinyl Plastic)



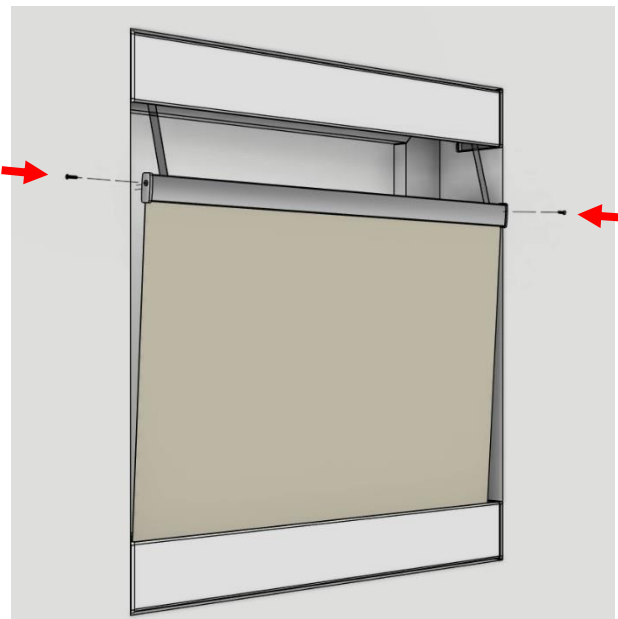
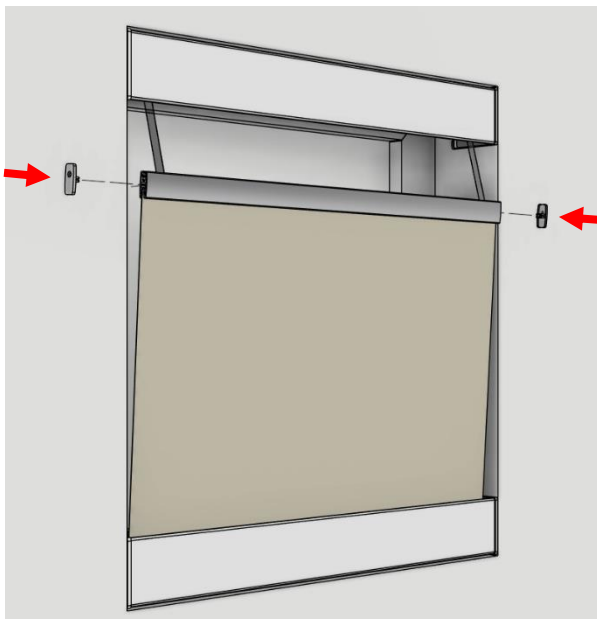
Tape Levelling Table		
Tape Pieces Stacked (Each at 2" Length)	Height Raised (in)	Height Raised (mm)
1	0.06	1.52
2	0.12	3.05
3	0.18	4.57

Tape pieces must be 2" [50.4mm]. Site conditions and shade length may affect these numbers.

STEP 9 – ATTACH THE BOTTOM BAR END CAPS

Finish the assembly by screwing in the bottom bar end caps on either side of the shade. The shade might need to be pulled out slightly to do this.

Do this gently without shifting the bottom bar left and right to much or the alignment will need to be re-adjusted.





ATLAS 2.0

Install Instructions

STEP 10 – CHECK THE FINAL MOVEMENT

Ensure the final movement of the shade is ok and the straps are aligned properly. After any minor alignment tweaks, adjust motor limits to there finalized upper and lower limits.

