

Panel Track Shade Installation Instructions

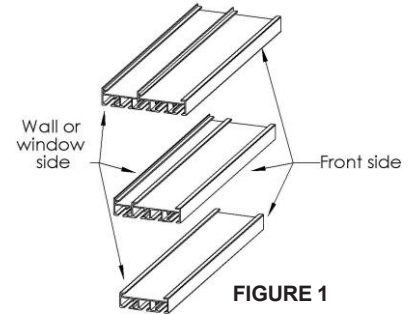
16/7/2018

STEP 1: BRACKET INSTALLATION

The centre of the hole in the swivel brackets must be located 3" from the ends of the track. All additional swivel brackets provided should be equally spaced and installed between the two end brackets.

NOTE: The standard mounting brackets provided are as follows: 2 for widths up to 60", 3 between 61" to 96", 4 or more over 96".

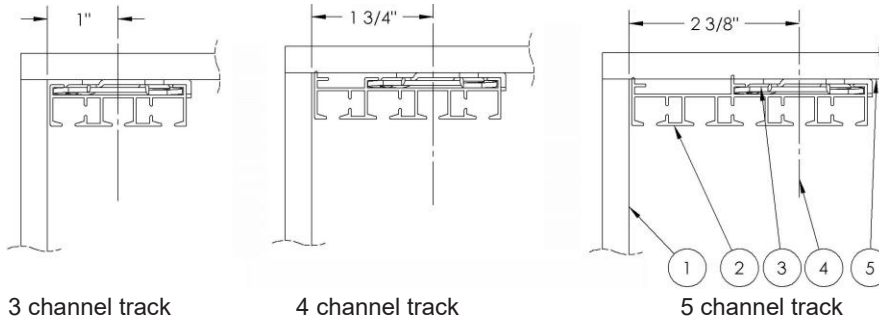
The track should be installed with the mounting channel furthest from the wall or window as in (fig. 1).



STEP 2: CEILING MOUNT PREPARATION

Determine the appropriate hole centre distance as shown below for 3, 4, or 5 channel track. Measure the minimum distance and mark the ceiling. Attach the swivel brackets with the screws provided, ensuring brackets are all in line.

NOTE: Do not over-tighten the screws. The brackets must be loose enough to rotate.

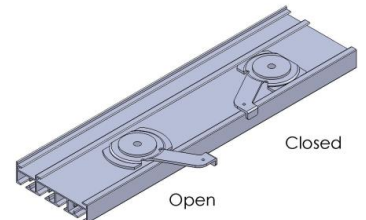


1	Wall (window)
2	Panel track
3	Mounting bracket
4	Hole's centre
5	Ceiling

STEP 3: TRACK INSTALLATION

With the brackets installed and in open position (as shown in the figure to the right), place the track onto the brackets. The bracket arms may have to be rotated slightly to allow the track to fully engage the brackets.

Start in the centre and push the track straight up into the brackets. Rotate the bracket arms to the closed position.



STEP 4: PANEL INSTALLATION

Draw the cord so that all carriers are independent of each other in a closed position. This will make it much easier to install the panels onto the Velcro strips. Starting with the back panel, align the Velcro strip on the panel with the Velcro strip on the carrier. Beginning at one end, press the Velcro strips together across the panel carrier. Be sure to go back and press the Velcro to ensure a secure attachment. Repeat this step until all panels are attached. Once finished, the panels should all overlap.