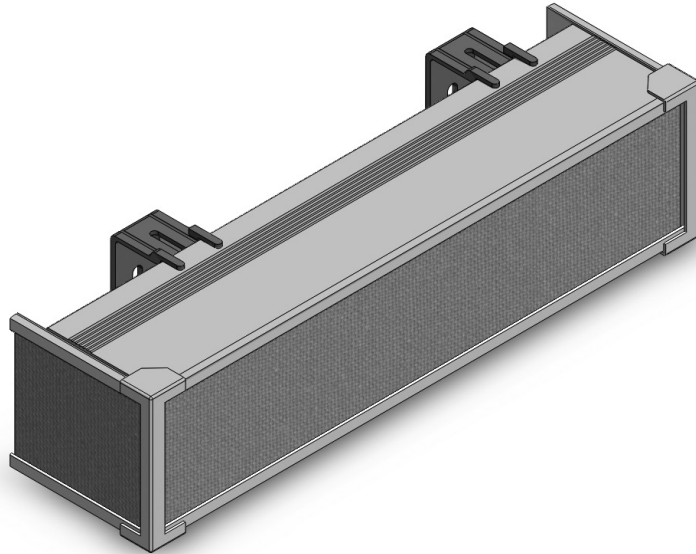




VALANCE & ENCLOSURE OPTIONS

PVC Valance



FEATURES AND BENEFITS

- Standard height is 3.5"
- Available with or without returns. Standard return is a 3.5" projection.
- Matching fabric insert.
- Can be ceiling or wall mounted.
- Minimum jamb depth is 1.5"
- Extended brackets are available.



LIGHT GAP MAY INCREASE WHEN:

1. USING FABRICS WHICH TEND TO TELESCOPE.
2. THE WIDTH TO HEIGHT RATIO IS 1:2.5 OR GREATER.

MOUNTING OPTIONS

