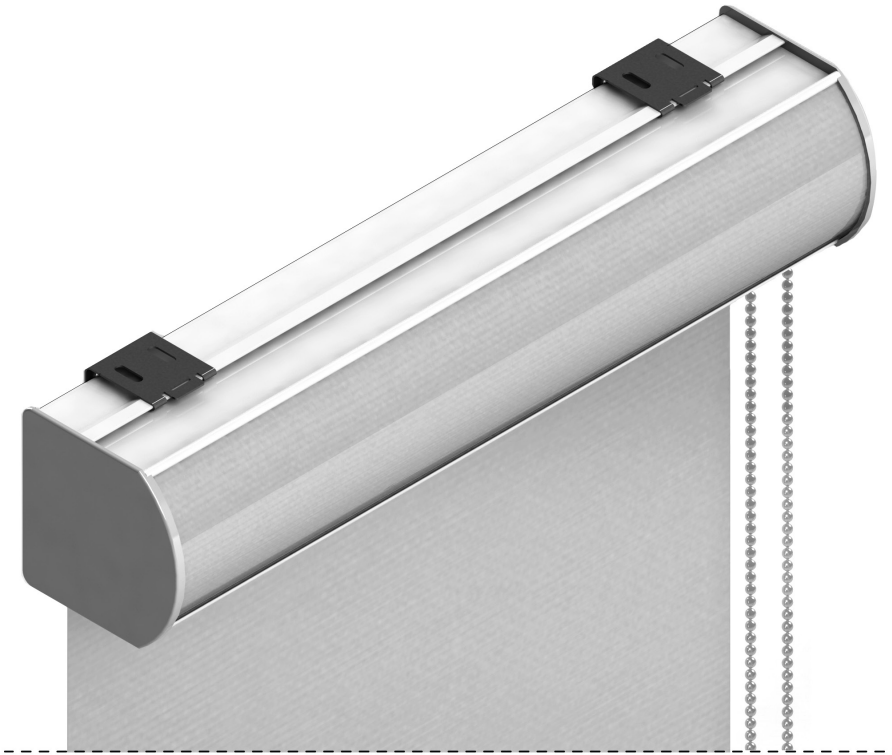




# VALANCE & ENCLOSURE OPTIONS

## Decora 8 (D8), 12 (D12) & 16 (D16)



LIGHT GAP	
Idle End	Drive End
<b>R-Series - D8, D12, D16</b>	
1/2"±1/8"	5/8"±1/8"

### FEATURES AND BENEFITS

- Three headrail sizes accommodate greater range of drop length possibilities and use of thicker fabrics.
- Fully assembled design makes for quick and easy installation.
- Sleek look accommodates upscale commercial needs and affords greater residential appeal.
- Intermediate Bracket allows two shades in one headrail.
- Accommodates fabric insert.
- No visible brackets.
- Available in white, black, linen, dark bronze, and anodized with matching end caps.



**LIGHT GAP MAY INCREASE WHEN:**

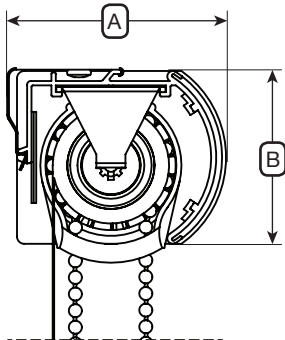
1. USING FABRICS WHICH TEND TO TELESCOPE.
2. THE WIDTH TO HEIGHT RATIO IS 1:2.5 OR GREATER.



# VALANCE & ENCLOSURE OPTIONS

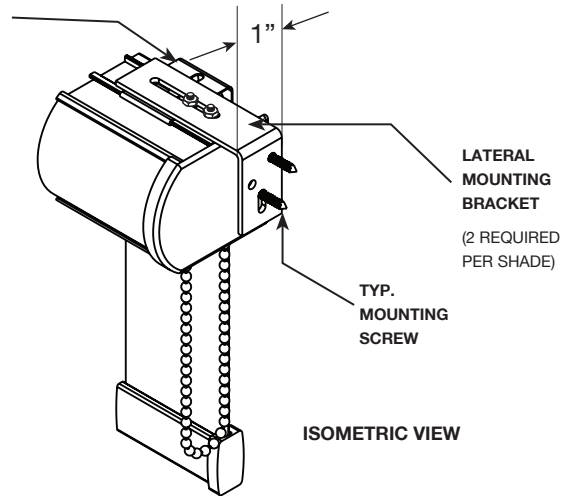
## Decora 8 (D8), 12 (D12) & 16 (D16)

### MOUNTING OVERVIEW



Shade Width	< 48"	49" - 72"	73" - 108"	109" - 144"	145" - 180"
# of Mounting Brackets	2	3	4	5	6

CEILING & WALL MOUNTING BRACKET



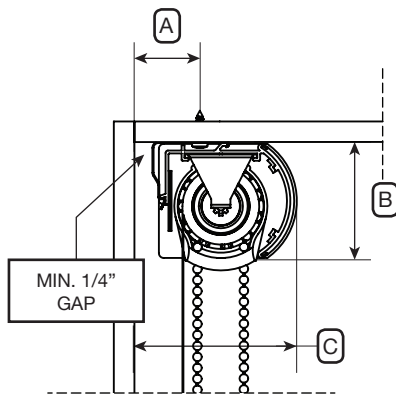
ISOMETRIC VIEW

### CASSETTE DIMENSIONS

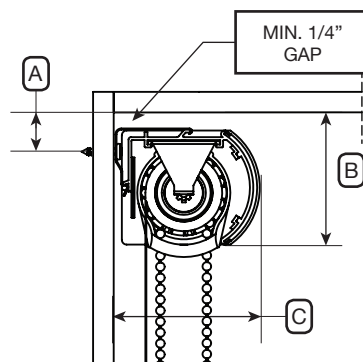
	D8	D12	D16
A	3"	3 3/4"	4 7/16"
B	2 1/2"	3 1/8"	3 7/8"

### MOUNTING SPECIFICATIONS

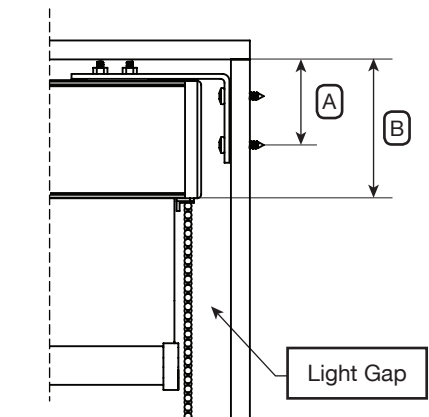
#### Ceiling Mount



#### Wall Mount



#### Lateral Mount



LIGHT GAP MAY INCREASE BY 1/4" WHEN SHADE IS MOUNTED Laterally.

	A	B	C	A	B	C	A	B
D8	1 1/4"	2 1/2"	3 1/4"	3/4"	2 3/4"	3"	1 5/8"	2 3/16"
D12	1 1/4"	3 1/8"	4"	3/4"	3 3/8"	3 3/4"	1 5/8"	3 1/2"
D16	1 3/8"	3 7/8"	4 11/16"	1 1/8"	4 1/8"	4 7/16"	1 5/8"	4 1/4"

**A** Measurement from wall to furthest screw

**B** Measurement from ceiling to bottom of cassette

**C** Measurement from wall to front of cassette