



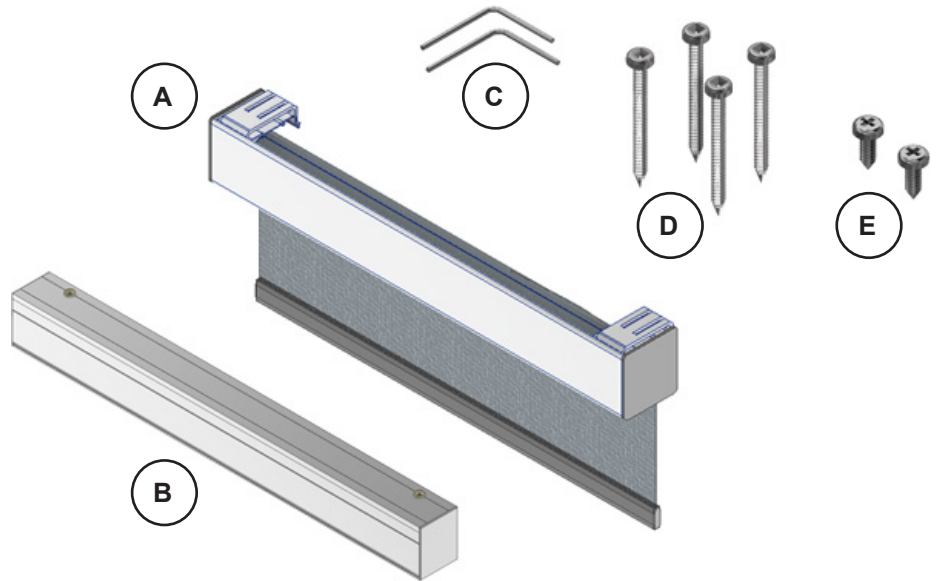
Atlas Installation Instructions

14/8/2018

NOTE: Refer to regular shade system installation instructions before installing the Atlas system.

Components

- A = Motorized roller shade system
[must be a bottom mount installation]
- B = Spring box (under tension)
[must be a ceiling mount installation]
- C = Spring locking pin
- D = 1.5" Mounting screws
- E = Cable lock screws

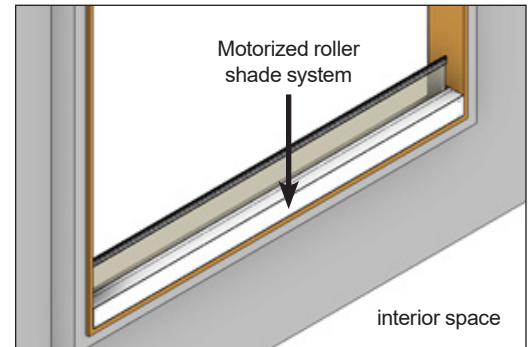


STEP 1: ROLLER SHADE SYSTEM INSTALLATION

Install the Motorized Shade System (A) on the bottom of the window frame. The cassette should be flush with the front of the window frame (refer to image at right).

This system must be ceiling/bottom mounted only.

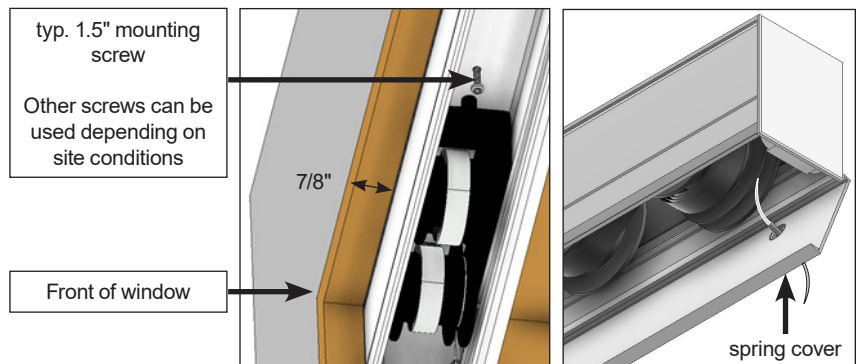
NOTE: BE CAREFUL NOT TO DAMAGE FABRIC AS EXCESS FABRIC MAY DRAPE OVER THE CASSETTE.



STEP 2: SPRING CHANNEL INSTALLATION

With the spring cover folded back, ceiling mount the Spring Box (B) using the screws provided (D). Mounting holes are pre-drilled on the Spring Box (refer to image).

After mounting the Spring Box (B), snap the spring cover back into place.



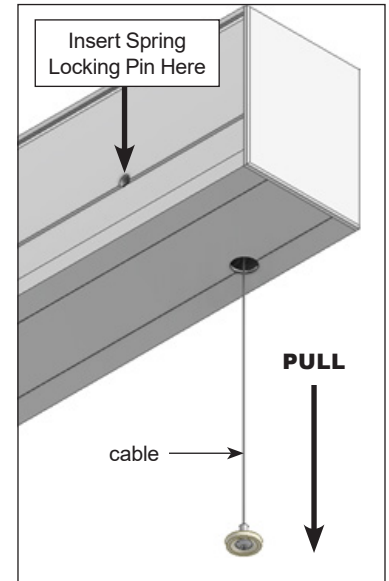
STEP 3: CABLE LOCKING METHOD

Pull the right side cable down from the Spring Box (B) to the bottom bar of the Motorized Shade System (A). When the desired cable length is reached, the cable must be held at that position until a Spring Locking Pin (C) is used to lock the tension.

The Spring Locking Pin (C) fits into the 3/16" hole on the front of the Spring Box (B). **Ensure the Spring Locking Pin (C) is pushed all the way in before letting go of the cable.**

Repeat steps for the left side of the Spring Box (B).

CAUTION: WHILE PULLING ON THE STRING OR RELEASING THE TENSION, ENSURE THAT THE CABLE IS PULLED DOWN SMOOTHLY AND WITHOUT RELEASING QUICKLY OR YOU MAY CAUSE DAMAGE TO THE SPRING MECHANISM.



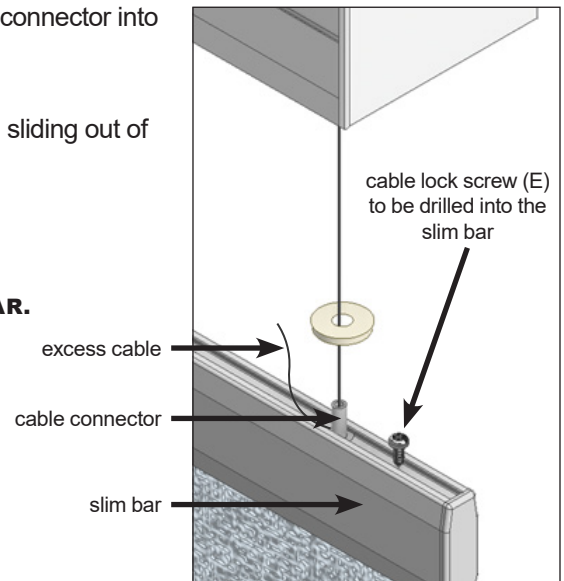
STEP 4: CABLE BOTTOM BAR ASSEMBLY

Connect cable from the Spring Box (B) to the bottom bar by sliding the cable connector into the Slim Bar at each side.

Cable Lock Screws (E) can be drilled into each end to prevent the cable from sliding out of the Slim Bar (refer to image).

Fabric will sag slightly during this step.

NOTE: EXCESS CABLE CAN BE CONCEALED NEATLY INTO THE SLIM BAR.



(OPTIONAL) STEP 5: SIDE CHANNEL INSTALLATION

If using side channels, they must be installed at this time.

Insert the bottom bar into the right side channel. Mount the right side channel laterally. If needed, the cable can be moved aside in order to not impede mounting. Repeat for the left side channel.



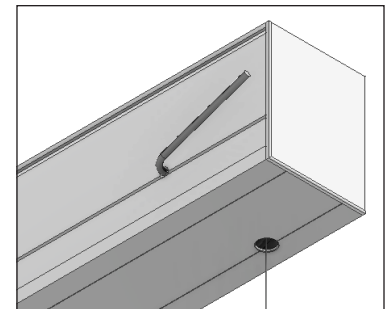
Cables should be positioned inside the channels and free of obstructions, after mounting the side channels, prior to adding tension to the system.

Calibrating Movement: For optimal operation, make sure each cable is running parallel to the window frame and aligned in the side channels. The cable alignment can be adjusted by gently sliding the cable connector on the slim bar left or right with a pair of mini/thin long reach needle-nosed pliers.

STEP 6: APPLYING TENSION TO THE SYSTEM

While holding the right cable down, slowly release the tension by removing the Spring Locking Pin (C). Repeat for the left side.

CAUTION: WHILE PULLING ON THE STRING OR RELEASING THE TENSION, ENSURE THAT THE CABLE IS PULLED DOWN SMOOTHLY AND WITHOUT RELEASING QUICKLY OR YOU MAY CAUSE DAMAGE TO THE SPRING MECHANISM.



STEP 7: TESTING THE SYSTEM

After putting tension in the system, cut the nylon finishing washer off the cable. **Be careful not to cut the cable.**

Calibrating Movement: For optimal operation, make sure each cable is running parallel to the window frame. The cable alignment can be adjusted by holding the cable down and gently sliding the cable connector on the slim bar left or right.



Nylon finishing washer