

Dual Shades





DUAL SHADES

Features & Benefits

All Dimensions Are In Inches [mm]

LIGHT GAPS (APPROXIMATE)

Idle End: $\frac{5}{8} \pm \frac{1}{8}$ [16 ± 3]

Drive End: $\frac{7}{8} \pm \frac{1}{8}$ [22 ± 3]

END CAP THICKNESS: $\frac{1}{8} \pm \frac{1}{16}$ [3 ± 1.6]

MINIMUM SHADE WIDTH = 19 [482.6]

TYP. MAX ROLL UP DIAMETER (RUD)

- FRONT ROLLER SHADE = $2 \frac{3}{4}$ [70]
- BACK ROLLER SHADE = $2 \frac{3}{4}$ [70]

*** SEE CONFIGURATIONS FOR MORE DETAILS ***

FASCIA AND COVER COLOURS:

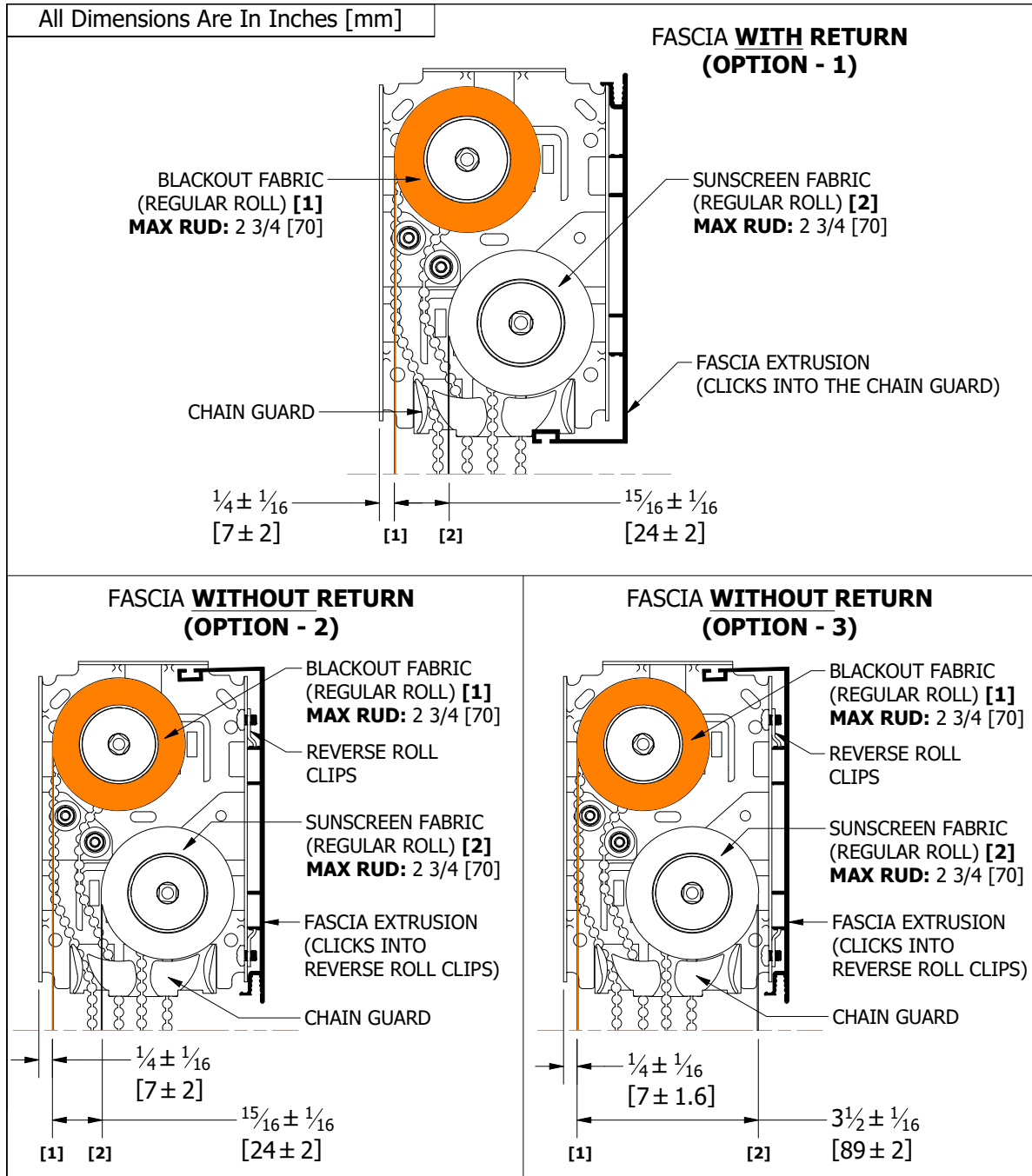
WHITE GREY BLACK

FEATURES	BENEFITS
Heavy Duty Mounting Brackets	Can be Ceiling, Wall or Laterally mounted.
Fabric Wrap Option	Front profile can be wrapped with fabric to match the roller shade fabric.
Universal Bracket Covers	Provides a finished look when outside mounting the fascia (colours match fascia).
Clip On Fascia Design	Fascia securely locks onto each bracket/guard and can be removed to allow access to the shade. Also can be mounted reverse roll.
Chain Guard Design	Chain Guard allows chain to hang away from the fascia and maintains a smooth feel during operation.
Smooth and Quiet Operation	Clutches are made from UV stabilised, glass-filled nylon and contain 4 small square profiled springs. The result is a strong clutch that operates smoothly with minimal effort.
SB Lift Assist Mechanism (SB LAM) Compatible	SB LAM reduces the pull force required to lift heavy shades when attached to the clutch.
Zero Gravity Compatible	Shade is raised and lowered manually to the desired position with minimal effort. (No clutch and chain required).
Multi in 1 (Separate Control) Options	SB Multi in 1: Allows a group of shades to be driven individually under a single cassette.
Automation Options	Allows for motorized controls with wireless remotes, switches or other smart devices.



DUAL SHADES

Configurations



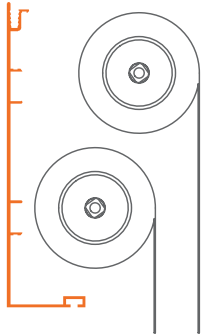


DUAL SHADES

Features & Benefits

Roll Configurations

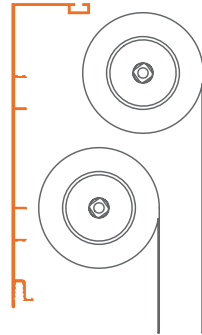
Standard Fascia
with return



A

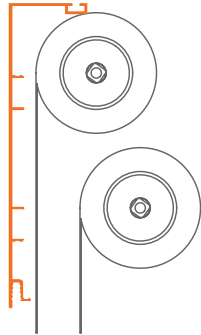
front: regular roll
rear: regular roll

Inverted Fascia
no return



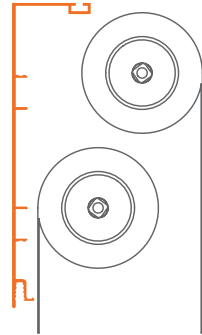
B

front: regular roll
rear: regular roll



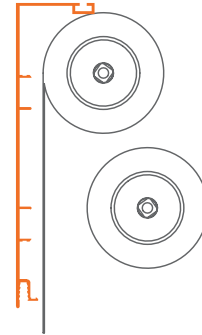
C

front: reverse roll
rear: reverse roll



D

front: reverse roll
rear: regular roll

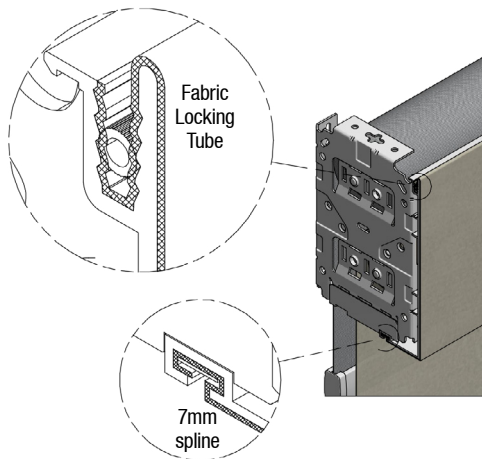


E

front: reverse roll
rear: regular roll

Other Details

Fabric Wrap



Magnetic End Cover

