

SINCE 1983

Sun Glow Architectural

Product Catalog

PROUDLY CANADIAN 
MYSUNGLOW.COM



Table of Contents

Click on any button to jump to that section

Click on the orange Sun Glow logo to return to this menu

Vision Roller Shade

Roller Shade

Recessed Pocket Enclosures

Dual Shades

Atlas 2.0 Bottom Up Shade

Nimbus Skylight

Light Shelf

Panel Track

Fixed Shade

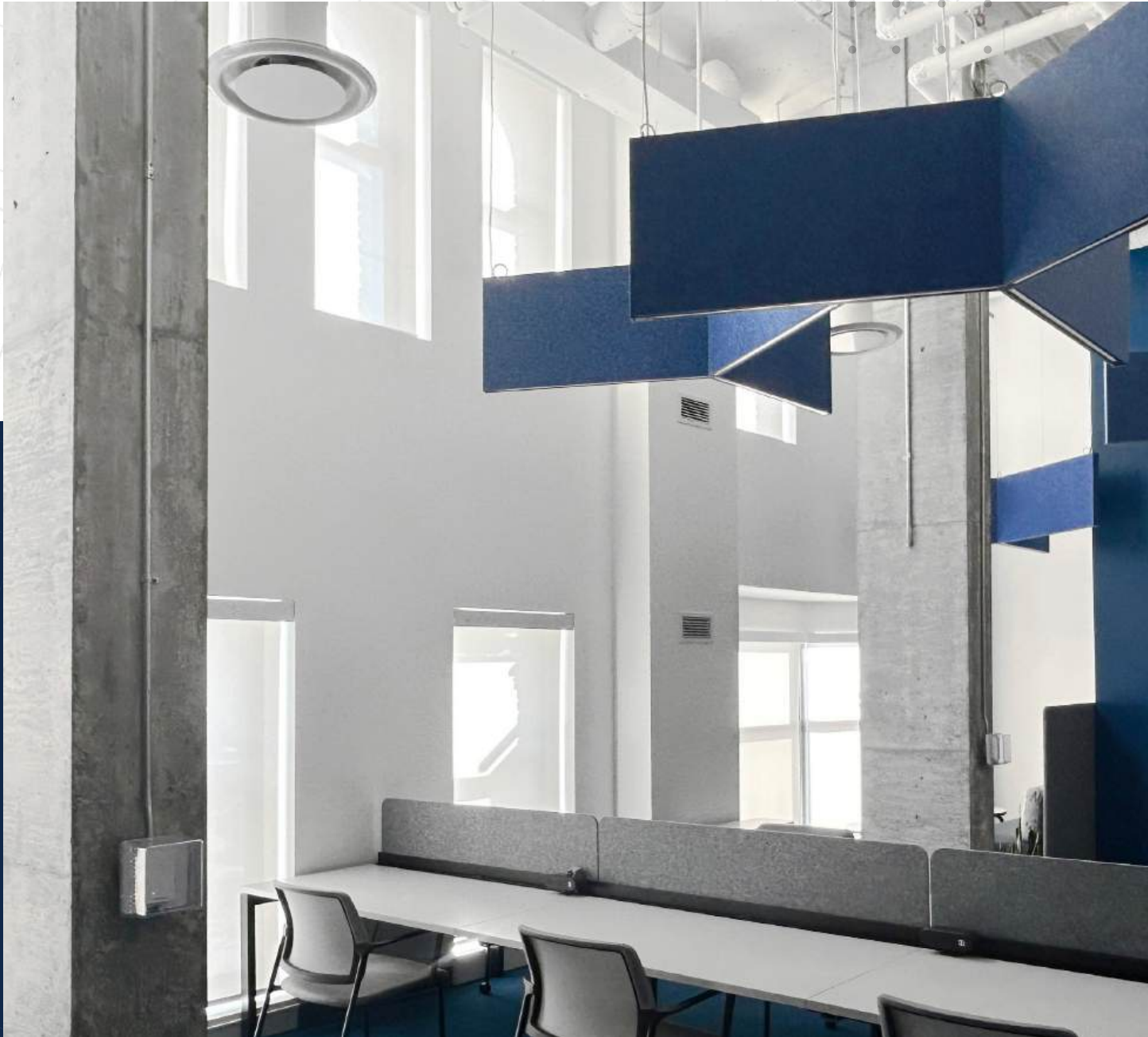
Motorization & Automation

Graphic Shades & Wallpaper

Fabric, Hem, & Finish Options

Vision™

Modular Roller Shade System

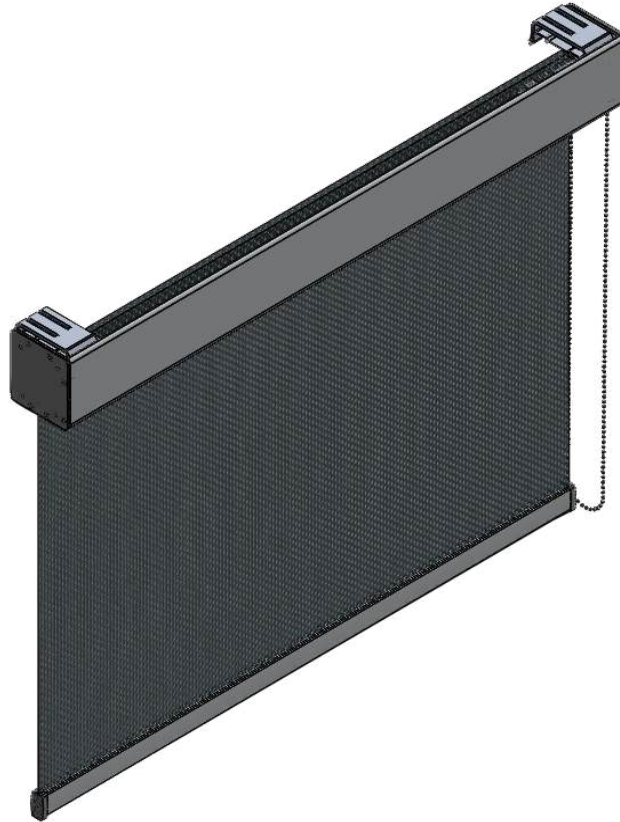




VISION™ ROLLER SHADE SYSTEMS

V-84 & V-102

Chain Operated System: Features & Benefits



vision
Roller Shade Systems

Light Gaps

Spring End	Reducer End
11/16" ±1/8"	11/16" ±1/8"

Features & Benefits

- Snap-on brackets for quick and easy installation.
- Modular design offers a wide variety of valance configurations for optimal performance and cost effectiveness.
- Minimal and symmetrical light gap offers greater solar control and a balanced appearance.
- Lift assist mechanism (Lift Assist) spring mechanism reduces the pull force required to lift the shade which reduces wear and tear on the components
- Completely assembled unit is balanced and tested during manufacturing to ensure proper performance before and after installation.
- Built in leveling system allows drive and idle end to be leveled after installation to compensate for uneven mounting conditions.
- Stripless clutch technology allows shade to also be pulled down by bottom bar.
- Vision meets the following Leed point criteria:
 - MR credit: 4.1/4.2 Recycled content.
 - MR credit: 5.1/5.2 Regional materials.
 - EQ credit: 8.1/8.2 Daylight and views.



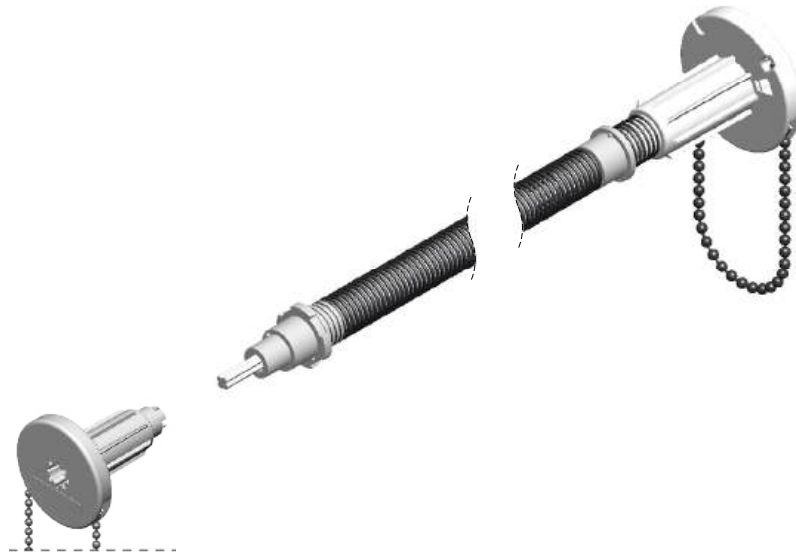
LIGHT GAP MAY INCREASE when width to height ratio is 1:2.5 or greater



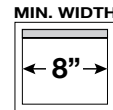
VISION™ ROLLER SHADE SYSTEMS

V-84 & V-102

Chain Operated System: Drive Mechanism



with standard clutch



with lift assist



Features & Benefits

- Standard dual clutch for manual chain operated shades (drive and idle end).
- Simultaneous chain option on both sides.
- Clutch guide wheel prevents frayed fabric edges.
- Clutch and spring combination provides a smooth and effortless operation, relieves stress on the chain and sprocket eliminating chain breakage.
- Self lubricating delrin material reduces friction and extends the life of all movable components.
- Hardened coil spring optimizes tensile strength and torque power to maintain product quality over time.
- Counter balance system allows the shade to be pulled down by the Bottom bar without damaging the clutch.

Lift Assist Mechanism Features & Benefits

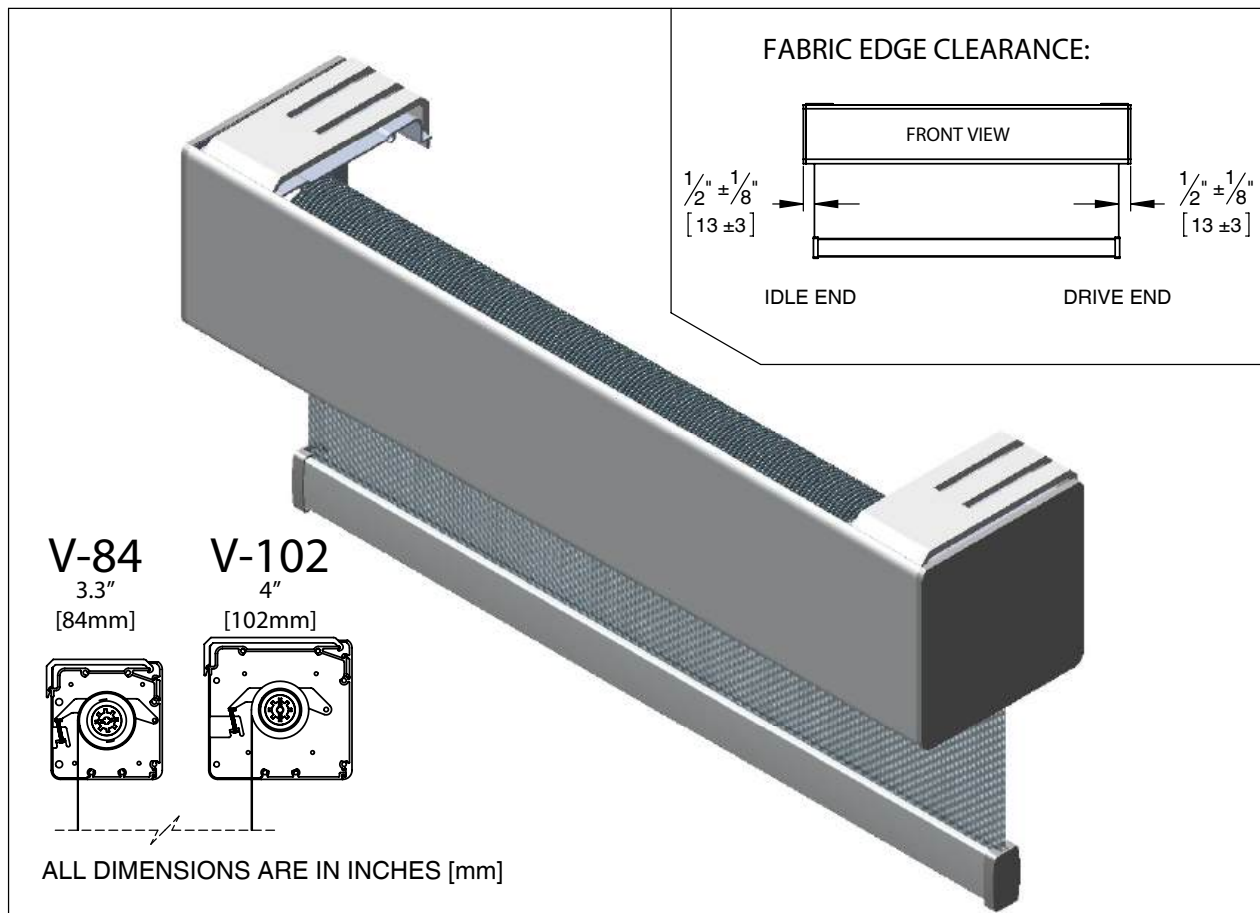
- Lift assist mechanism reduces required pull force for finger tip control even on large shades.
- Vision built in lift assist mechanisms V15 to V120 customized for each shade by SG based on the blind size, thickness & weight of fabric to ensure the shade can be operated smoothly and effortlessly.



VISION™ ROLLER SHADE SYSTEMS

V-84 & V-102

Neo Chainless System: Features & Benefits



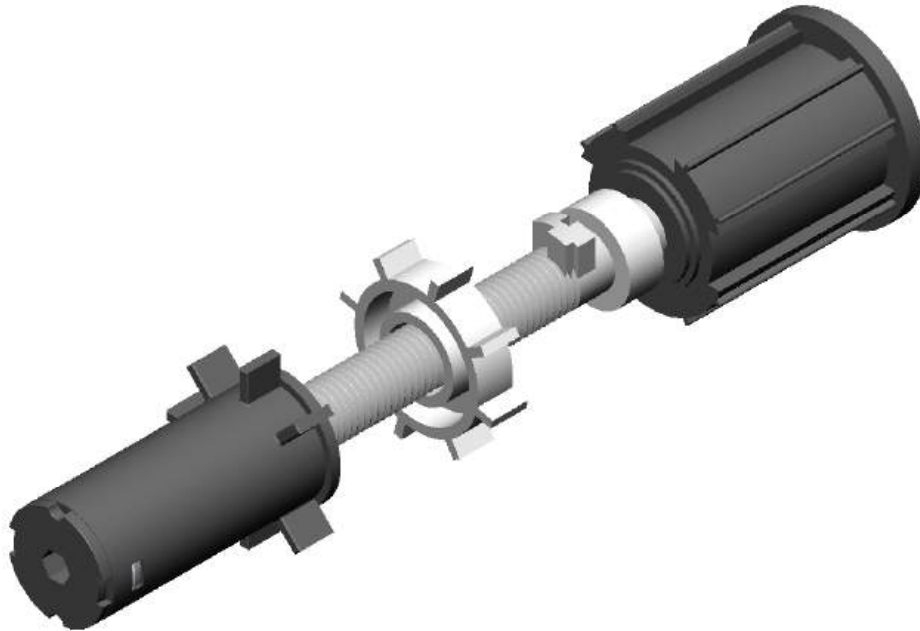
FEATURES	BENEFITS
CHAINLESS	SHADE IS OPERATED BY PULLING THE BOTTOM BAR, ELIMINATES CHAIN AND LIGATURE ISSUE
LIFT ASSIST MECHANISM (LAM) + NEO SPEED REDUCER	ALLOWS FOR SMOOTH OPERATION IN BOTH THE UP AND DOWN MOTION
SNAP-ON BRACKETS	QUICK AND EASY INSTALLATION & REMOVAL WITHOUT DISMANTLING THE SHADE
MODULAR DESIGN	WIDE VARIETY OF VALANCE CONFIGURATIONS FOR OPTIMAL PERFORMANCE & COST EFFECTIVENESS
MINIMAL & SYMMETRICAL LIGHT GAP	OFFERS GREATER SOLAR CONTROL AND A BALANCED APPEARANCE
COMPLETELY ASSEMBLED UNIT	SHADE IS BALANCED & TESTED DURING MANUFACTURING TO ENSURE PROPER PERFORMANCE BEFORE & AFTER INSTALLATION
BUILT IN LEVELLING SYSTEM	DRIVE & IDLE ENDS CAN BE LEVELED AFTER INSTALLATION TO COMPENSATE FOR UNEVEN MOUNTING CONDITIONS
VISION™ MEETS THE FOLLOWING LEED POINT CRITERIA	<ul style="list-style-type: none"> • MR CREDIT: 4.1/4.2 RECYCLED CONTENT • MR CREDIT: 5.1/5.2 REGIONAL MATERIALS • EQ CREDIT: 8.1/8.2 DAYLIGHT AND VIEWS
COLOUR OPTIONS	CASSETTE FINISHES AVAILABLE: WHITE, LINEN, ANODIZED, LIGHT BRONZE, DARK BRONZE, BLACK



VISION™ ROLLER SHADE SYSTEMS

V-84 & V-102

Neo Chainless System: Drive Mechanism



1.5" [38.1MM] NEO SPEED REDUCER - STANDARD

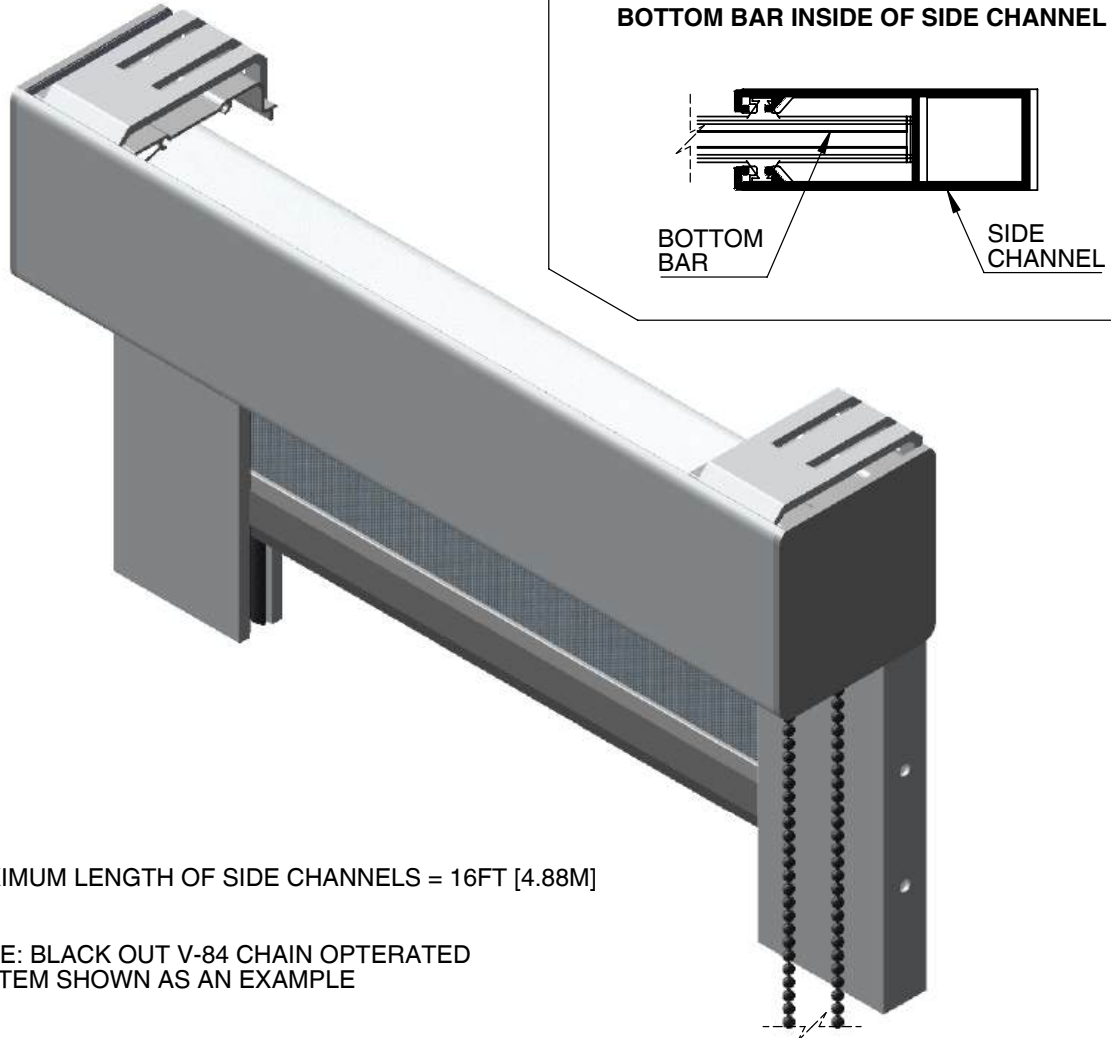
- DOES NOT REQUIRE CHAIN
- CAN EASILY BE OPERATED BY PULLING THE SHADE FROM THE CENTER OF THE BOTTOM BAR OR BLIND PULL TO THE DESIRED HEIGHT
- CAN EASILY BE RETRACTED BY A SLIGHT PULL OF THE BOTTOM BAR OR BLIND PULL
- SMART LOCK AND SNAP RELEASE ALLOW FOR EASY DISMOUNTING WHEN REQUIRED



VISION™ ROLLER SHADE SYSTEMS

V-84 & V-102

Blackout System: Features & Benefits



MAXIMUM LENGTH OF SIDE CHANNELS = 16FT [4.88M]

NOTE: BLACK OUT V-84 CHAIN OPERATED SYSTEM SHOWN AS AN EXAMPLE

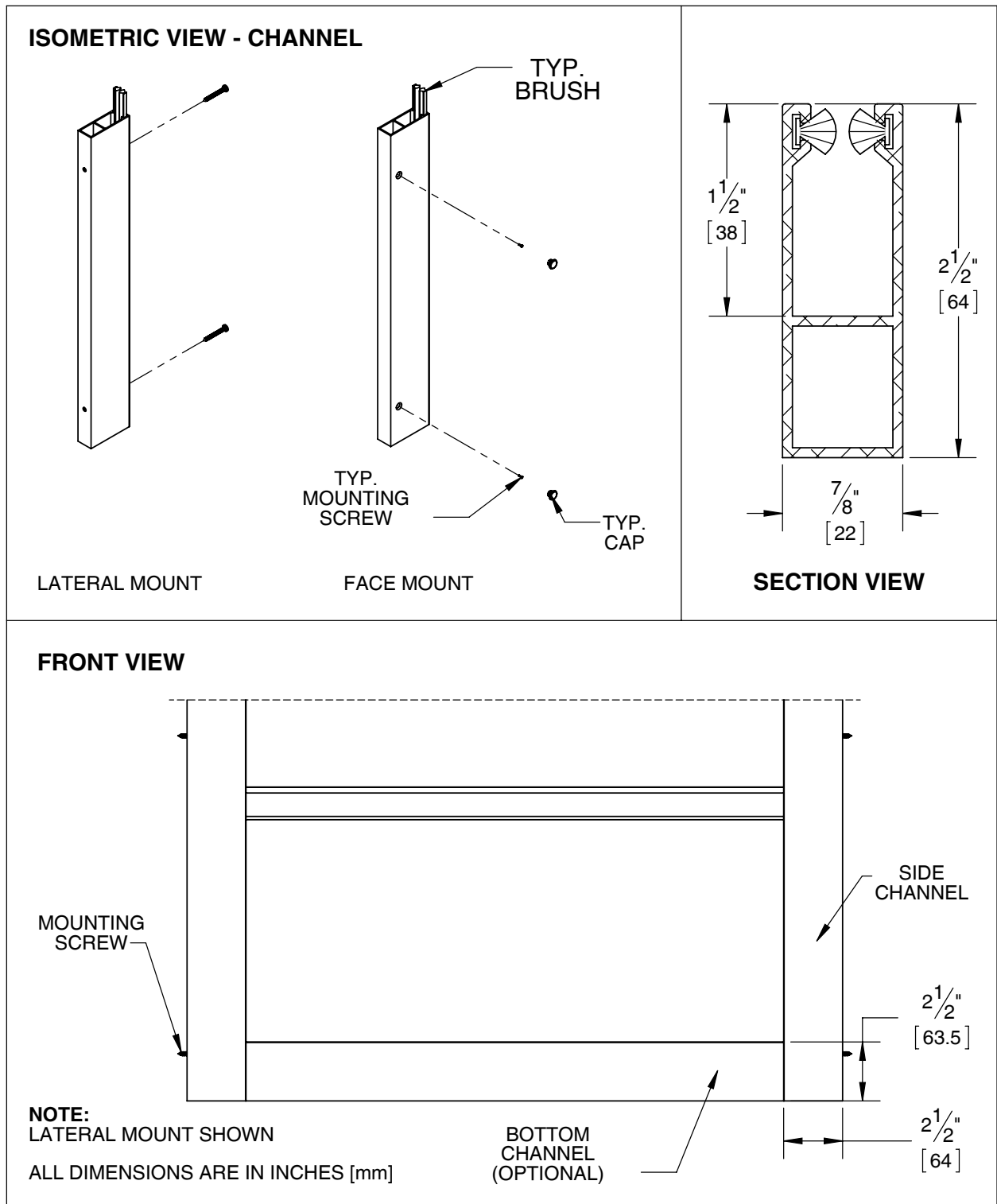
FEATURES	BENEFITS
BLACK OUT	ELIMINATES 99% OF DIRECT LIGHT. NOTE: A SMALL AMOUNT OF INDIRECT LIGHT MAY STILL BE VISIBLE
DIFFERENT BOTTOM BAR OPTIONS	SLIM BAR AND PLAIN HEM ARE REQUIRED IN ORDER TO GLIDE EFFORTLESSLY THROUGH THE CHANNELS
DIFFERENT MOUNTING OPTIONS	CHANNELS CAN BE LATERAL OR FACE MOUNTED AND ARE PRE-DRILLED TO SPECIFICATION BASED ON THE MOUNTING STYLE
BOTTOM CHANNEL(OPTIONAL)	REDUCES LIGHT PENETRATION FROM WINDOW LEDGE
SYSTEM FLEXIBILITY	SIDE CHANNELS CAN BE USED WITH CHAIN OPERATED OR MOTORIZED ROLLER SHADE SYSTEMS



VISION™ ROLLER SHADE SYSTEMS

V-84 & V-102

Blackout System: Mounting Details





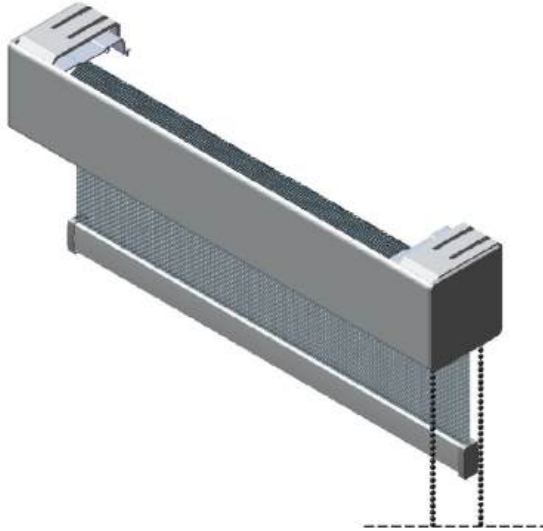
VISION™ ROLLER SHADE SYSTEMS

V-84 & V-102

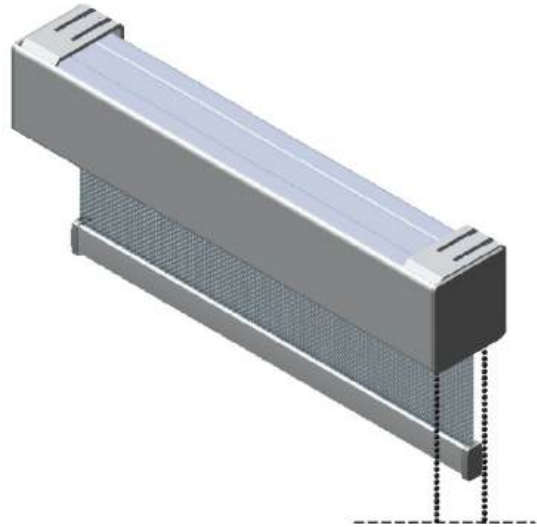
Product Information: Fascia Configurations

Vision V-84 and V-102: Clutch & bracket dimensions

Two Assembly Brackets Standard

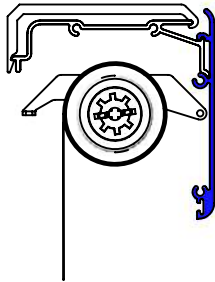


Top Cover Option

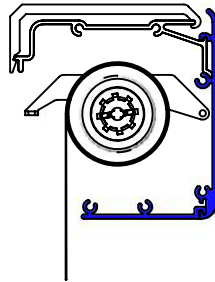


Vision V-84 and V-102 Regular Roll Configurations

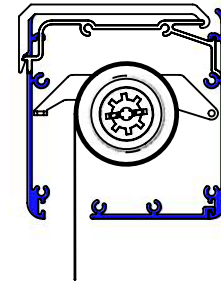
Front Fascia



Front & Return Fascia

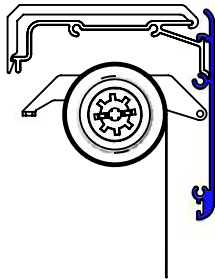


Front, Return, and Back Fascia

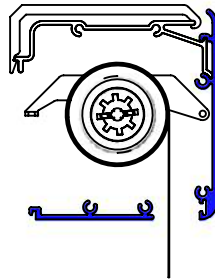


Vision V-84 and V-102 Reverse Roll Configurations

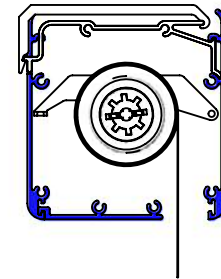
Front Fascia



Front & Return Fascia



Front, Return, and Back Fascia





VISION™ ROLLER SHADE SYSTEMS

V-84 & V-102

Product Information: Mounting Details

CEILING MOUNT																	
	<p style="text-align: center;">PROFILE VIEW V-84 MOUNTING BRACKET & CEILING MOUNT-SCREW LOCATION</p>																
WALL OR FACE MOUNT																	
	<p style="text-align: center;">PROFILE VIEW V-84 MOUNTING BRACKET & WALL MOUNT-SCREW LOCATION</p>																
LATERAL MOUNT																	
<p>NOTE: SOME COMPONENTS ARE NOT DISPLAYED IN THE MOUNTING VIEWS ABOVE. LATERAL MOUNT INCREASES LIGHT GAP BY MINIMUM 3/8" [10mm] PER SIDE. ALL DIMENSIONS ARE IN INCHES [mm]</p>	<p style="text-align: center;">PROFILE VIEW V-84 MOUNTING BRACKET & LATERAL MOUNT-SCREW LOCATION</p>																
<table border="1" style="width: 100%; border-collapse: collapse;"> <thead> <tr> <th style="width: 10%;">ITEM NO.</th> <th>COMPONENT</th> </tr> </thead> <tbody> <tr> <td>1</td> <td>V-84 MOUNTING BRACKET</td> </tr> <tr> <td>2</td> <td>1.5" MOUNTING SCREW</td> </tr> <tr> <td>3</td> <td>CEILING</td> </tr> <tr> <td>4</td> <td>MULLION</td> </tr> <tr> <td>5</td> <td>GLAZING</td> </tr> <tr> <td>6</td> <td>DRYWALL</td> </tr> <tr> <td>7</td> <td>LATERAL MOUNTING BRACKET</td> </tr> </tbody> </table>		ITEM NO.	COMPONENT	1	V-84 MOUNTING BRACKET	2	1.5" MOUNTING SCREW	3	CEILING	4	MULLION	5	GLAZING	6	DRYWALL	7	LATERAL MOUNTING BRACKET
ITEM NO.	COMPONENT																
1	V-84 MOUNTING BRACKET																
2	1.5" MOUNTING SCREW																
3	CEILING																
4	MULLION																
5	GLAZING																
6	DRYWALL																
7	LATERAL MOUNTING BRACKET																



VISION™ ROLLER SHADE SYSTEMS

V-84 & V-102

Product Information: Mounting Details

CEILING MOUNT																		
	<p>PROFILE VIEW V-102 MOUNTING BRACKET & CEILING MOUNT-SCREW LOCATION</p>																	
WALL OR FACE MOUNT																		
	<p>PROFILE VIEW V-102 MOUNTING BRACKET & WALL MOUNT-SCREW LOCATION</p>																	
LATERAL MOUNT																		
	<p>PROFILE VIEW V-102 MOUNTING BRACKET & LATERAL MOUNT-SCREW LOCATION</p>																	
<p>NOTE: SOME COMPONENTS ARE NOT DISPLAYED IN THE MOUNTING VIEWS ABOVE. LATERAL MOUNT INCREASES LIGHT GAP BY MINIMUM 3/8" [10mm] PER SIDE. ALL DIMENSIONS ARE IN INCHES [mm]</p>		<table border="1"> <thead> <tr> <th>ITEM NO.</th> <th>COMPONENT</th> </tr> </thead> <tbody> <tr> <td>1</td> <td>V-102 MOUNTING BRACKET</td> </tr> <tr> <td>2</td> <td>1.5" MOUNTING SCREW</td> </tr> <tr> <td>3</td> <td>CEILING</td> </tr> <tr> <td>4</td> <td>MULLION</td> </tr> <tr> <td>5</td> <td>GLAZING</td> </tr> <tr> <td>6</td> <td>DRYWALL</td> </tr> <tr> <td>7</td> <td>LATERAL MOUNTING BRACKET</td> </tr> </tbody> </table>	ITEM NO.	COMPONENT	1	V-102 MOUNTING BRACKET	2	1.5" MOUNTING SCREW	3	CEILING	4	MULLION	5	GLAZING	6	DRYWALL	7	LATERAL MOUNTING BRACKET
ITEM NO.	COMPONENT																	
1	V-102 MOUNTING BRACKET																	
2	1.5" MOUNTING SCREW																	
3	CEILING																	
4	MULLION																	
5	GLAZING																	
6	DRYWALL																	
7	LATERAL MOUNTING BRACKET																	



VISION™ ROLLER SHADE SYSTEMS

V-84 & V-102

Product Information: L-Channel Mounting Details

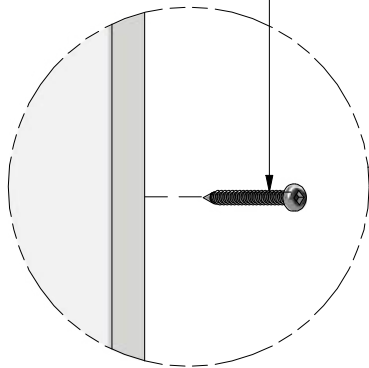
All Dimensions Are In Inches [mm]

SPACE BETWEEN L CHANNEL
AND THE VALANCE

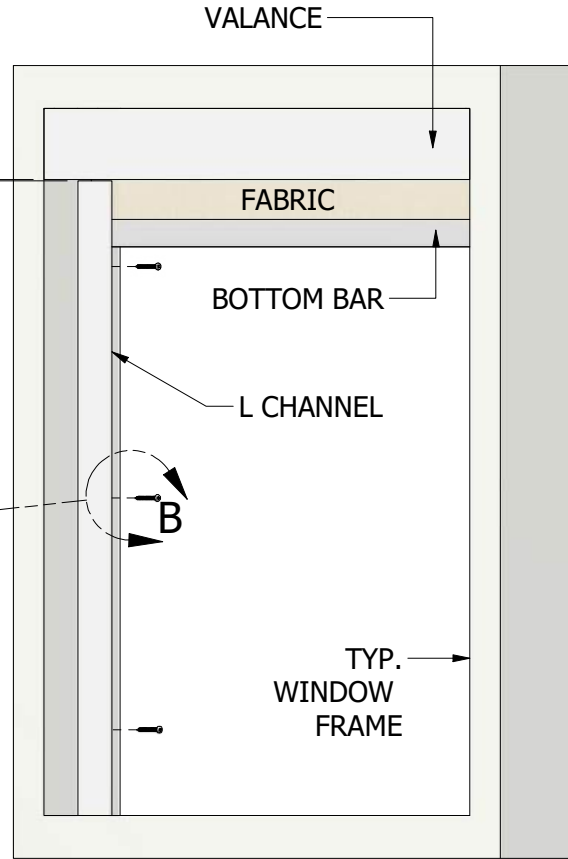
$$\frac{1}{16} \pm \frac{1}{32}$$

$$[2 \pm .8]$$

TYP.
#8x1.5
PAN SOCKET
TAPPING SCREW

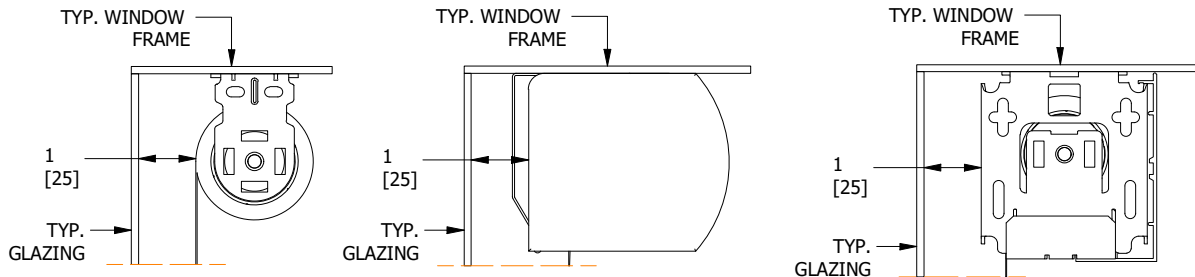


DETAIL B
SCALE 1 / 2



NOTE:

- L CHANNEL IN FRONT OF THE FABRIC SHOWN ABOVE. TO SEE L CHANNEL BEHIND THE FABRIC REFER TO ALTERNATIVE CONFIGURATIONS CUT SHEET.
- IF MOUNTING THE L CHANNEL BEHIND THE FABRIC A 1" [25.4MM] CLEARANCE IS REQUIRED BETWEEN THE SHADE SYSTEM AND GLAZING, SEE BELOW.





VISION™ ROLLER SHADE SYSTEMS

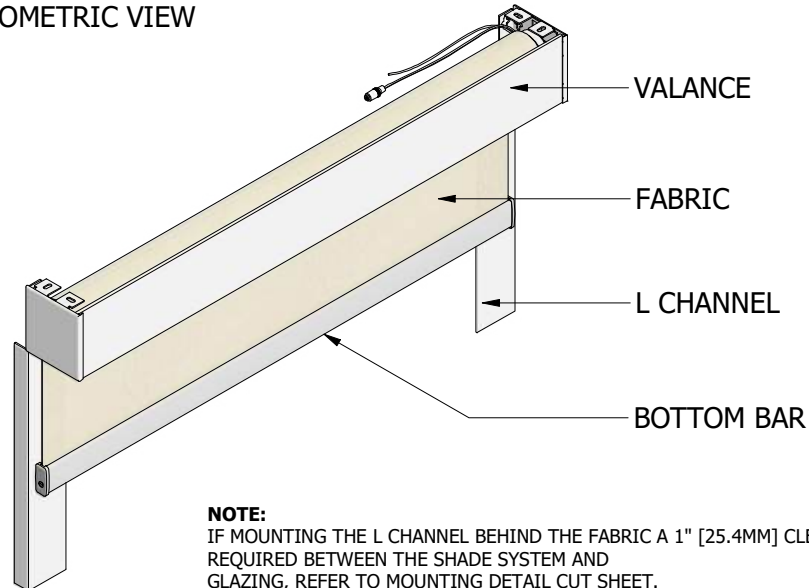
V-84 & V-102

Product Information: L-Channel Configurations

All Dimensions Are In Inches [mm]

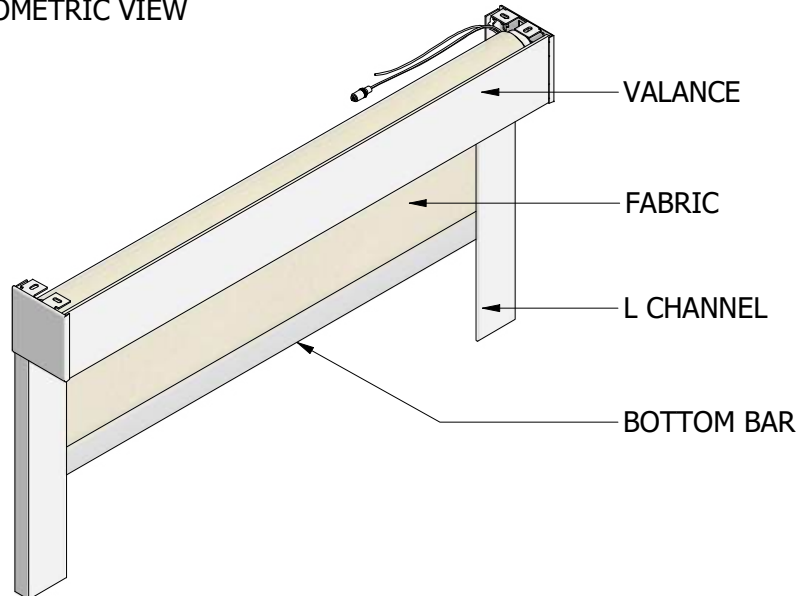
L CHANNEL BEHIND THE BOTTOM BAR AND FABRIC

ISOMETRIC VIEW



L CHANNEL IN FRONT OF THE BOTTOM BAR AND FABRIC

ISOMETRIC VIEW



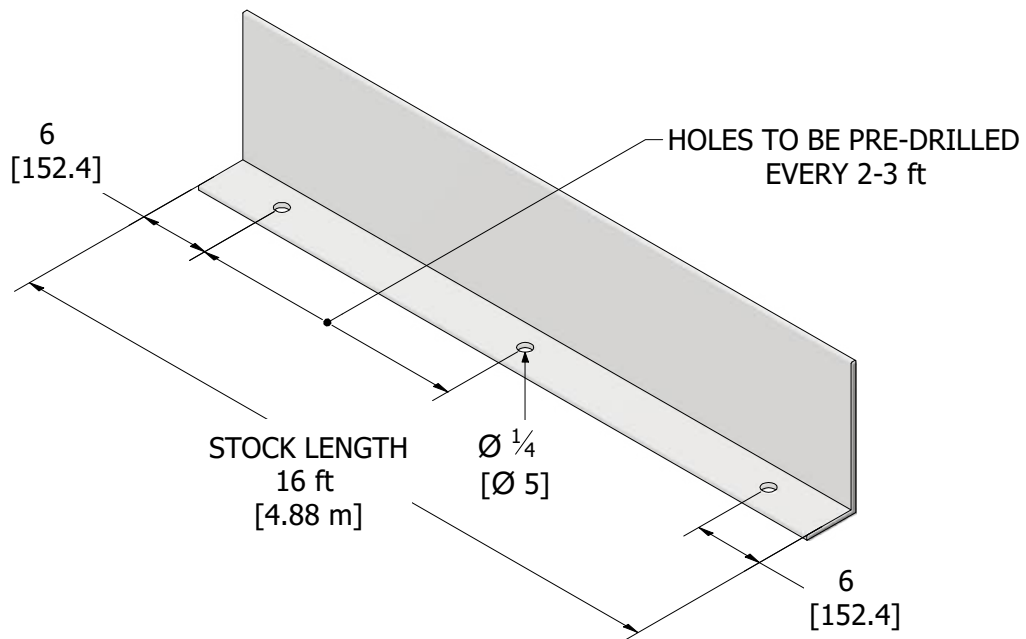
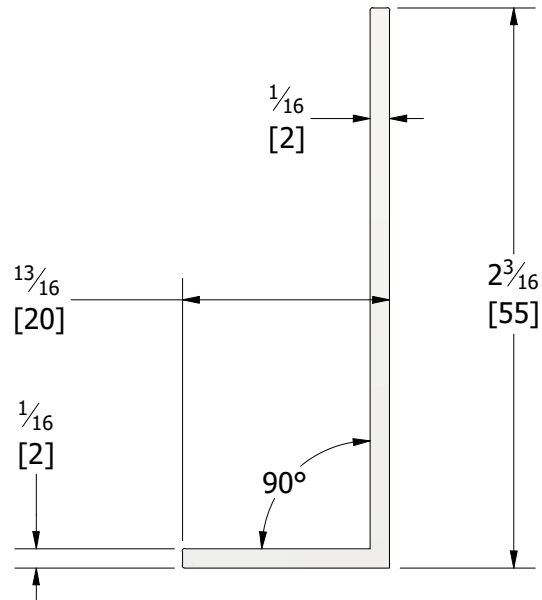


VISION™ ROLLER SHADE SYSTEMS

V-84 & V-102

Product Information: L-Channel Measurements and Sizes

All Dimensions Are In Inches [mm]



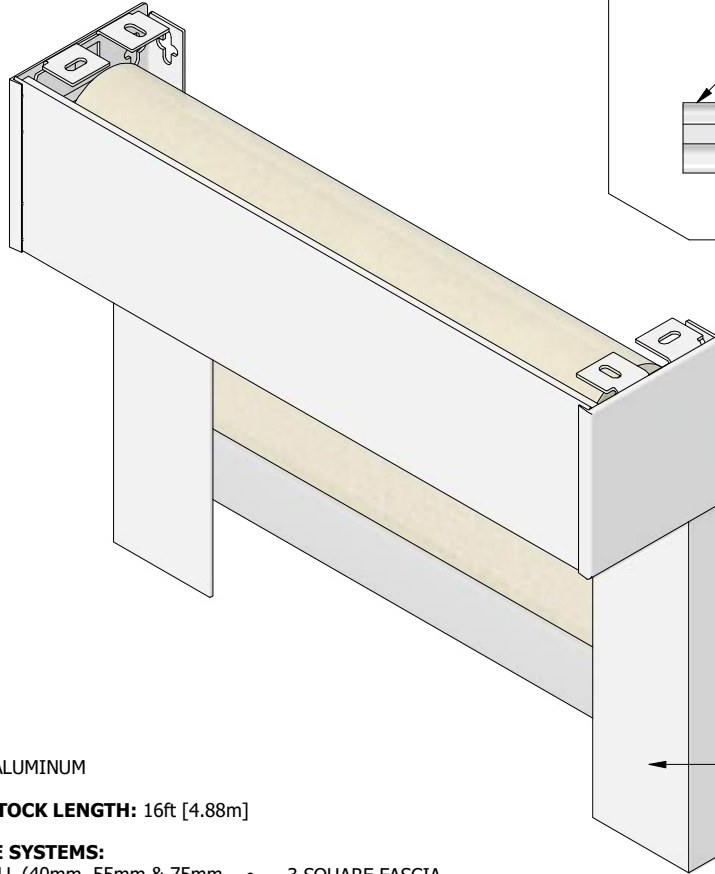


VISION™ ROLLER SHADE SYSTEMS

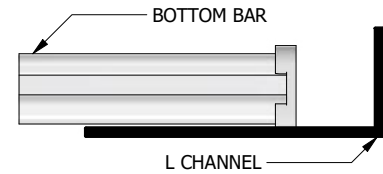
V-84 & V-102

Product Information: L-Channel Features and Benefits

All Dimensions Are In Inches [mm]



BOTTOM BAR INSIDE OF L CHANNEL



MATERIAL: ALUMINUM

MAXIMUM STOCK LENGTH: 16ft [4.88m]

COMPATIBLE SYSTEMS:

- OPEN ROLL (40mm, 55mm & 75mm SLIM LINE BRACKETS)
- COMPACT CURVED CASSETTE
- CURVED CASSETTE
- 3 SQUARE FASCIA
- 4 SQUARE FASCIA
- DUAL OPEN ROLL
- DUAL SQUARE FASCIA

NOTE: 3" SQUARE FASCIA SYSTEM SHOWN AS AN EXAMPLE.

FEATURES	BENEFITS
Glare Reduction	Minimizes the light penetration that can be seen through the Roller Shade light gaps on either side.
Bottom Bar Options	Works with a wide variety of Roller Shade bottom bars.
Different Mounting Orientations	Can be laterally mounted in the front or behind the bottom bar and fabric.
Bottom Channel (Optional)	Reduces the Light Penetration at the bottom window ledge.
System Flexibility	Can be used in conjunction with Chain Operated or Motorized Roller Shade Systems.

Roller Shades



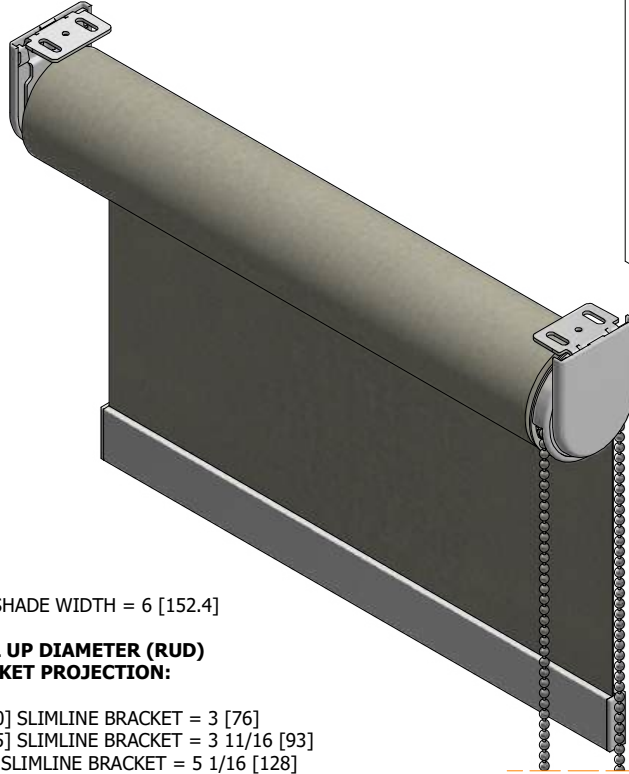


ROLLER SHADE SYSTEMS

Open Roll Chain Operated System

Features & Benefits

All Dimensions Are In Inches [mm]

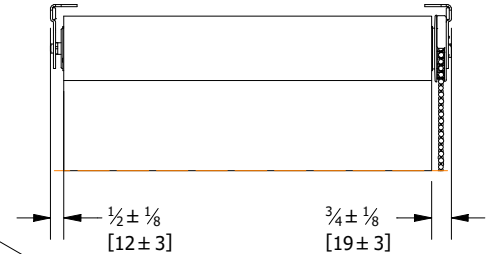


MINIMUM SHADE WIDTH = 6 [152.4]

**MAX ROLL UP DIAMETER (RUD)
PER BRACKET PROJECTION:**

- 1.6 [40] SLIMLINE BRACKET = 3 [76]
- 2.2 [55] SLIMLINE BRACKET = 3 11/16 [93]
- 3 [75] SLIMLINE BRACKET = 5 1/16 [128]

LIGHT GAPS (APPROXIMATE)



Each End Cap Is 1/8 ± 1/16 [3 ± 1.6]

BRACKET AND COVER COLOURS:



FEATURES	BENEFITS
Universal Brackets	Can be ceiling, wall or laterally mounted
Different Bracket Projections	1.6 [40], 2.2 [55], 3 [75] Bracket Sizes accommodates larger roll up diameters for larger shades.
Optional Bracket Covers	Provides a finished look for outside wall mounted applications (colours match mounting brackets and bottom bar end caps)
Simple and Safe Installations	Spring loaded idle end, clutch hooks and safety tab makes secure installation.
Smooth and Quiet Operation	Clutches are made from UV stabilised, glass-filled nylon and contain 4 small square profiled springs. The result is a strong clutch that operates smoothly with minimal effort.
SB Lift Assist Mechanism (SB LAM) Compatible	SB LAM reduces the pull force required to lift heavy shades when attached to the clutch
Zero Gravity Compatible	Shade is raised and lowered manually to the desired position with minimal effort. (No clutch and chain required)
Multi Banded (Single Control) Options	SB Multi Band Straight: Allows a group shades to be linked together and driven by a single clutch or motor. Each link can be adjusted to align and level the bottom bars together. SB Multi Band Angle: For bay window applications and is driven like the SB Multi Band Straight. The middle link can pivot at various angle up to 135 degrees. Reverse roll with a 2 [50] S-Tube is ideal to minimize the light gaps.
Automation Options	Allows for motorized controls with wireless remotes, switches or other smart devices



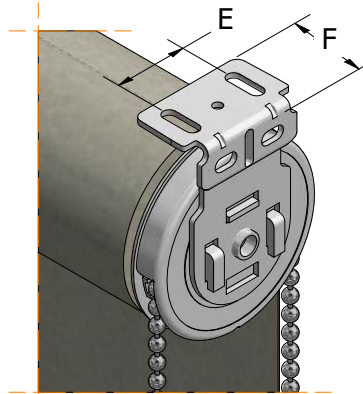
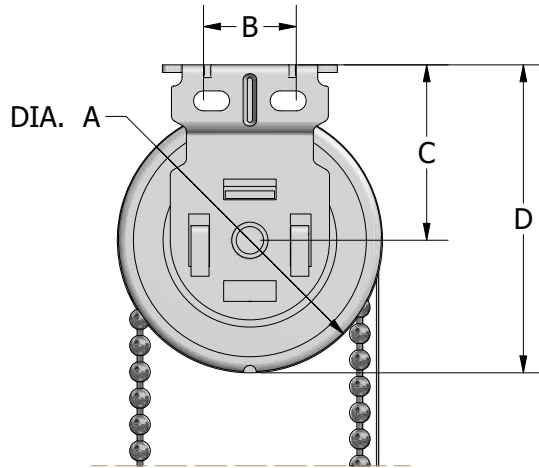
ROLLER SHADE SYSTEMS

Open Roll Chain Operated System

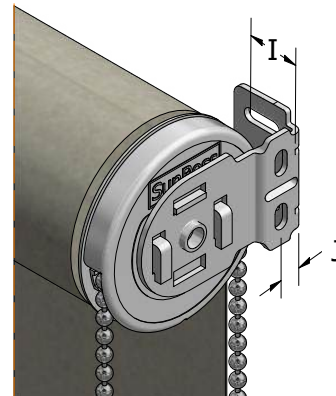
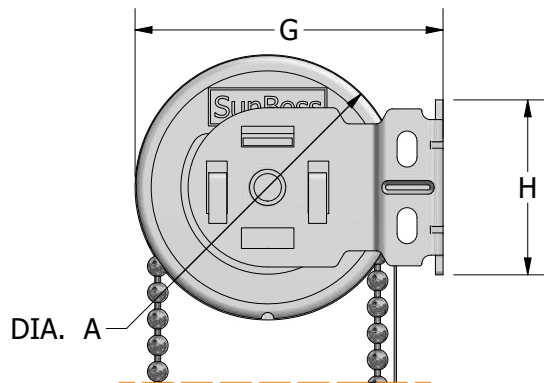
Dimensions & Measurements

All Dimensions Are In Inches [mm]

CEILING MOUNTED VIEW



WALL MOUNTED VIEW



Clutch Model	Bracket Type	A	B	C	D	E	F	G	H	I	J
SB Clutch	1.6 [40] Slimline Bracket	2 15/32 [63]	7/8 [22]	1 5/8 [41]	2 55/64 [73]	31/32 [25]	31/32 [25]	2 55/64 [73]	1 5/8 [41]	11/16 [17.5]	11/32 [8.7]
	2.2 [55] Slimline Bracket	2 15/32 [63]	7/8 [22]	2 1/8 [54]	3 23/64 [85.4]	31/32 [25]	31/32 [25]	3 23/64 [85.4]	1 5/8 [41]	11/16 [17.5]	11/32 [8.7]
	3 [75] Slimline Bracket	2 15/32 [63]	1 5/16 [33]	2 7/8 [73]	4 7/64 [104.4]	1 13/16 [46]	31/32 [25]	4 7/64 [104.4]	2 3/16 [56]	11/16 [17.5]	3/8 [9.5]

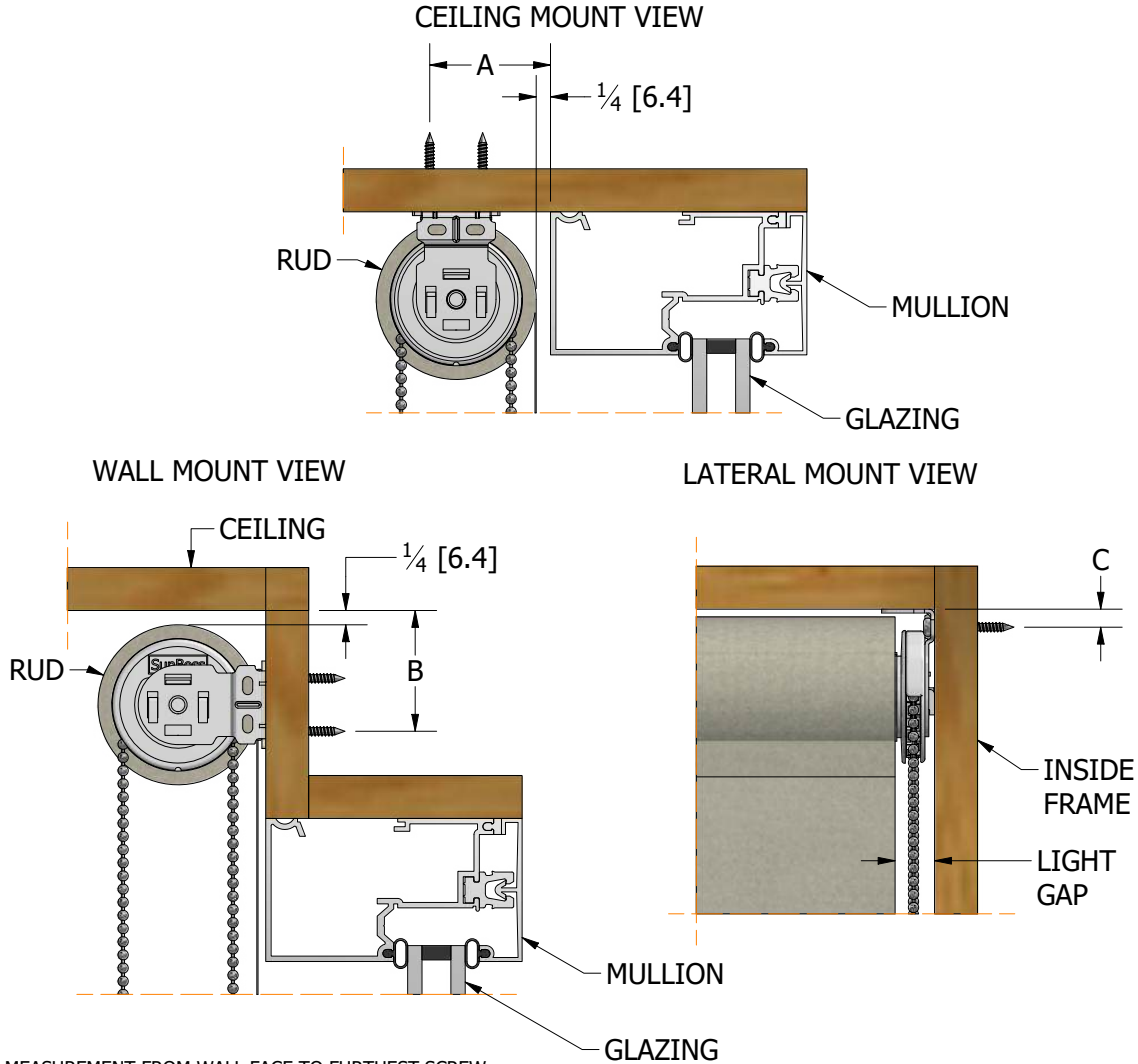


ROLLER SHADE SYSTEMS

Open Roll Chain Operated System

Mounting Details

All Dimensions Are In Inches [mm]



A = MEASUREMENT FROM WALL FACE TO FURTHEST SCREW
 B = MEASUREMENT FROM CEILING FACE TO FURTHEST SCREW
 C = MEASUREMENT FROM CEILING FACE TO FURTHEST SCREW

Max Roll Up Diameter Considered

Clutch Model	Bracket Type	A	B	C
SB Clutch	1.6 [40] Slimline Bracket	2 1/4 [57.2]	2 1/4 [57.2]	3/8 [9.5]
	2.2 [55] Slimline Bracket	2 19/32 [65.9]	2 19/32 [65.9]	3/8 [9.5]
	3 [75] Slimline Bracket	3 11/16 [93.7]	3 11/16 [93.7]	3/8 [9.5]

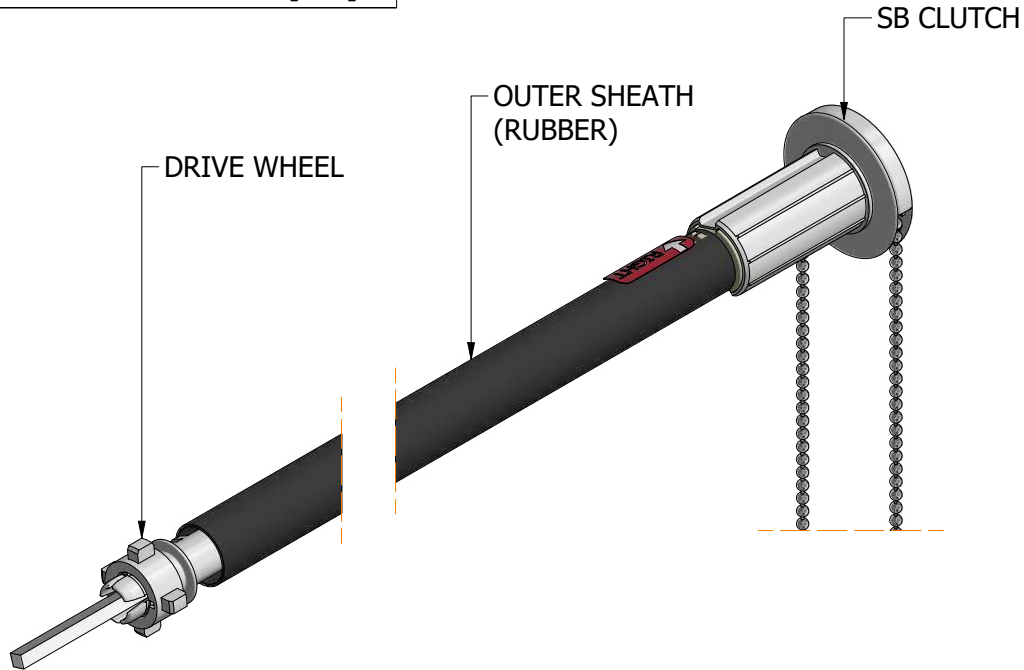


ROLLER SHADE SYSTEMS

Open Roll Chain Operated System

Lift Assist Mechanism: Features & Benefits

All Dimensions Are In Inches [mm]

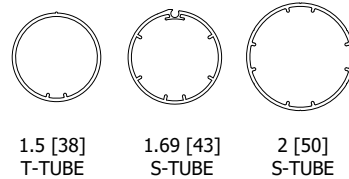


MINIMUM SHADE WIDTH = 36 [914.4]

COMPATIBLE SYSTEMS:

- OPEN ROLL
- SB CURVED CASSETTE
- SB 3 SQUARE FASCIA
- SB 4 SQUARE FASCIA
- SB DUAL OPEN ROLL
- SB DUAL CURVED CASSETTE

COMPATIBLE TUBES



FEATURES	BENEFITS
Simple and Safe Installations	Safe to work with as the specified tension is maintained, without the risk of unwinding, right through to the completed installation.
Smooth and Quiet	Foam surrounds the aluminum shaft internally to reduce noise as the spring operates. Drive Wheels run smoothly and quietly inside the tube (wheels are compatible with all roller shade tubes). Outer Sheath helps to dampen spring noise while operating inside the tube.
Enhanced Control	Reduces pull force required to operate the shade. Helps to prevent unwanted stress on the Clutch and other shade components. This increases the longevity of the entire shade system.



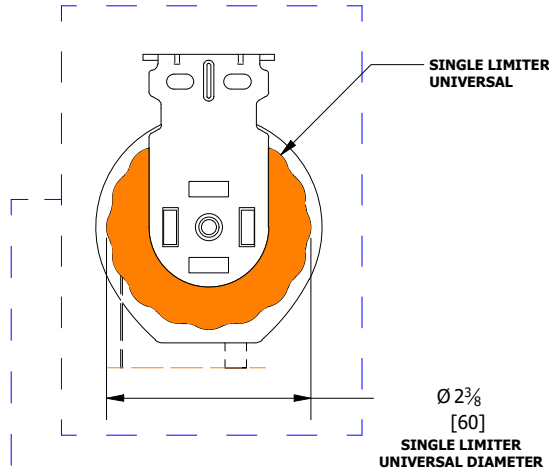
ROLLER SHADE SYSTEMS

Open Roll Chainless Systems

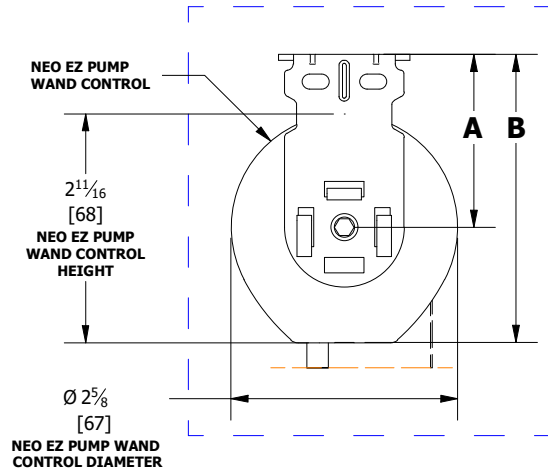
Neo Chainless System: Measurements & Sizes

All Dimensions Are In Inches [mm]

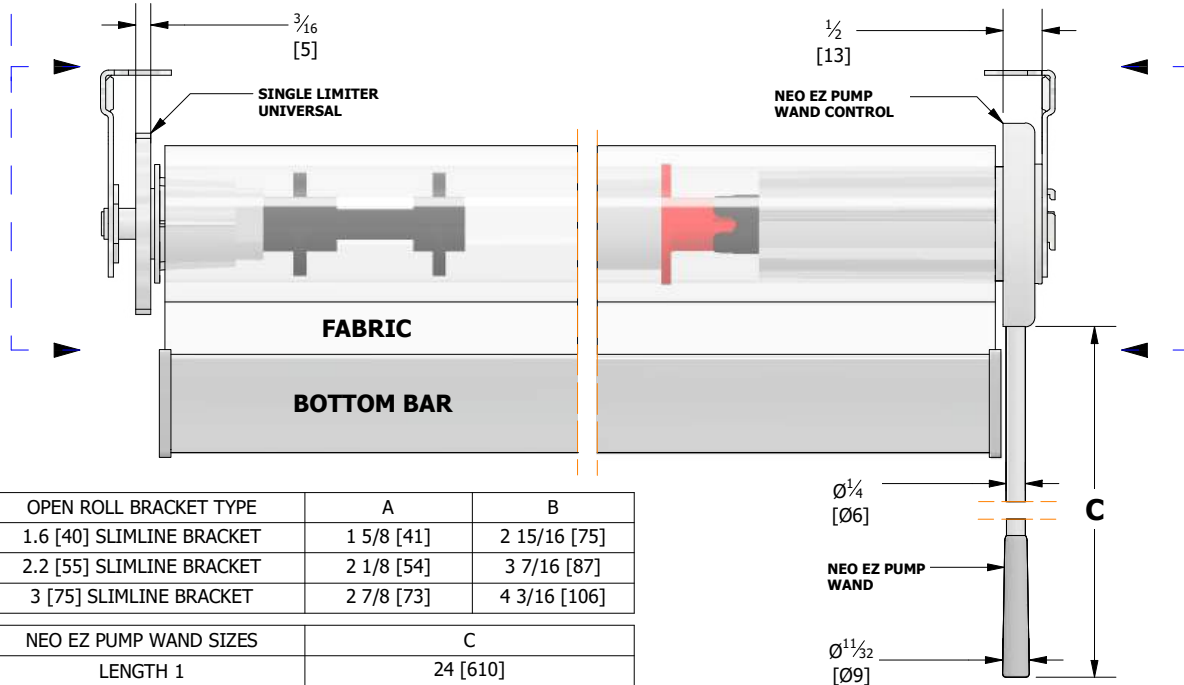
IDLE END VIEW



DRIVE END VIEW



FRONT SHADE VIEW



OPEN ROLL BRACKET TYPE	A	B
1.6 [40] SLIMLINE BRACKET	1 5/8 [41]	2 15/16 [75]
2.2 [55] SLIMLINE BRACKET	2 1/8 [54]	3 7/16 [87]
3 [75] SLIMLINE BRACKET	2 7/8 [73]	4 3/16 [106]
NEO EZ PUMP WAND SIZES	C	
LENGTH 1	24 [610]	
LENGTH 2	36 [915]	

NOTE: OPEN ROLL SYSTEM SHOWN AS AN EXAMPLE. FOR COMPATIBLE FASCIA AND CASSETTE SYSTEMS, REFER TO THE MAX ROLL UP DIAMETER IN MEASUREMENTS & SIZES.

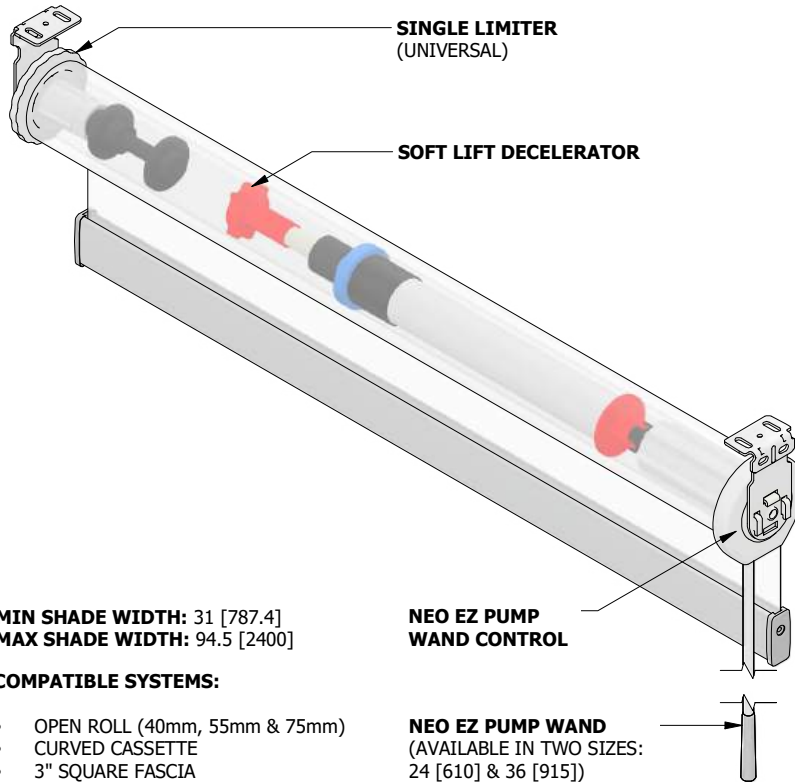


ROLLER SHADE SYSTEMS

Open Roll Chainless Systems

Neo EZ Pump: Features & Benefits

All Dimensions Are In Inches [mm]



MIN SHADE WIDTH: 31 [787.4]
MAX SHADE WIDTH: 94.5 [2400]

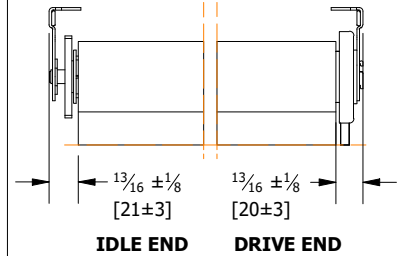
COMPATIBLE SYSTEMS:

- OPEN ROLL (40mm, 55mm & 75mm)
- CURVED CASSETTE
- 3" SQUARE FASCIA
- 4" SQUARE FASCIA

NEO EZ PUMP WAND CONTROL

NEO EZ PUMP WAND
 (AVAILABLE IN TWO SIZES:
 24 [610] & 36 [915])

LIGHT GAPS (APPROXIMATE)



END CAP THICKNESS: 1/8±1/16 [3±1.6]

COMPATIBLE TUBES:



1.5in [38mm]
S-TUBE

NEO EZ PUMP WAND COLOURS:



WHITE

NOTE: OPEN ROLL WITH RIGHT HAND CONFIGURATION SHOWN AS AN EXAMPLE ONLY.

FEATURES	BENEFITS
Child Safe System	The NEO EZ pump eliminates the need for free hanging loose chains/cords, while complying with latest industry child safe standards and regulations.
Universal Control	The NEO EZ pump can be either controlled by the left or right side of the shade for easy accessibility.
Dual Operation	The shade can be lowered by pumping the NEO EZ pump wand or by pulling down on the bottom bar.
Auto-rise Action	The shade can be easily retracted by a slight pull of the NEO EZ pump wand or the bottom bar.
Smooth & Quiet Operation	The soft lift decelerator slows the shade down smoothly as it approaches the upper limit.
Adjustable Upper Limit	The single limiter allows the upper limit to be fully adjustable while the shade is installed.
Easy Tension Adjustment	If required, the spring tension can be easily adjusted by a #5 hex socket wrench.



ROLLER SHADE SYSTEMS

Open Roll Chainless Systems

Neo EZ Pump: Configurations

All Dimensions Are In Inches [mm]

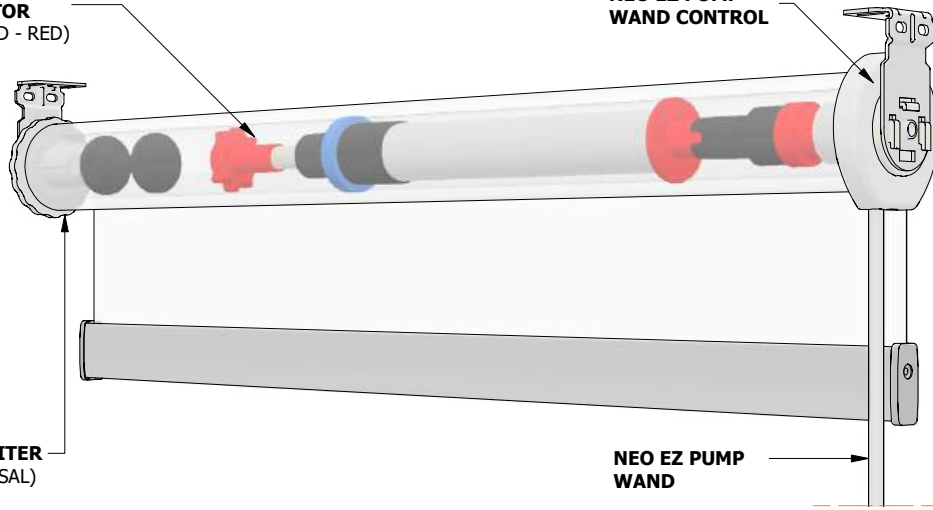
RIGHT HAND WAND CONTROL OPTION [1]

**SOFT LIFT
DECELERATOR**
(RIGHT HAND - RED)

**NEO EZ PUMP
WAND CONTROL**

SINGLE LIMITER
(UNIVERSAL)

**NEO EZ PUMP
WAND**



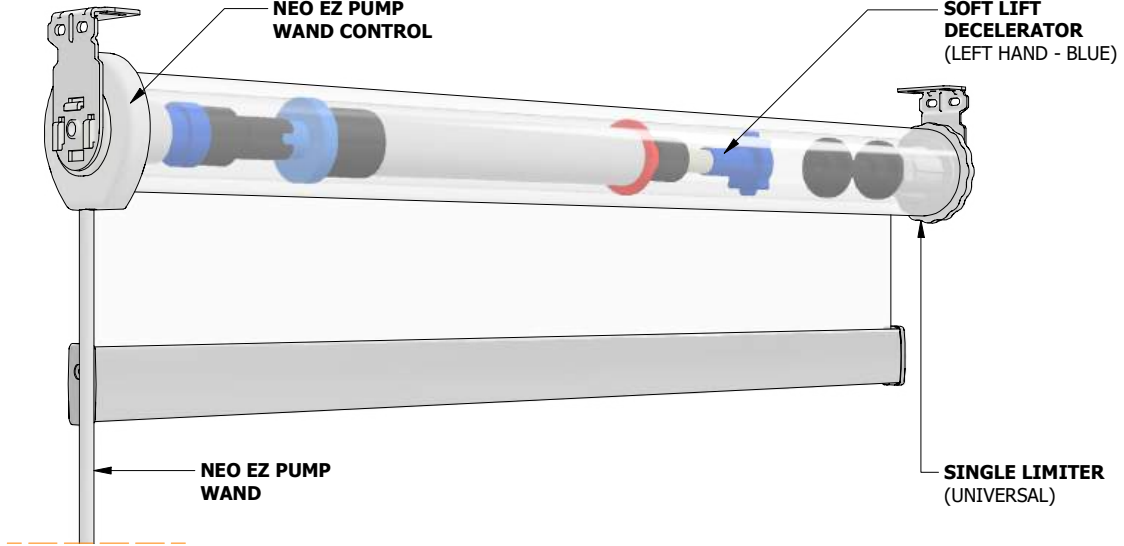
LEFT HAND WAND CONTROL OPTION [2]

**NEO EZ PUMP
WAND CONTROL**

**SOFT LIFT
DECELERATOR**
(LEFT HAND - BLUE)

**NEO EZ PUMP
WAND**

SINGLE LIMITER
(UNIVERSAL)





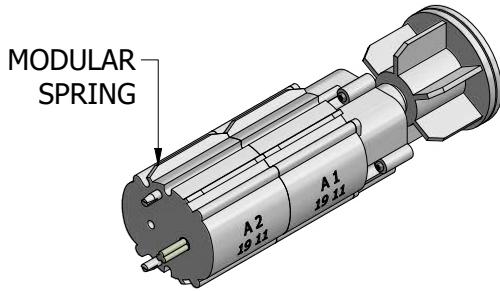
ROLLER SHADE SYSTEMS

Open Roll Chainless Systems

Zero Gravity Chainless System: Features & Benefits

All Dimensions Are In Inches [mm]

ZERO GRAVITY - MINI



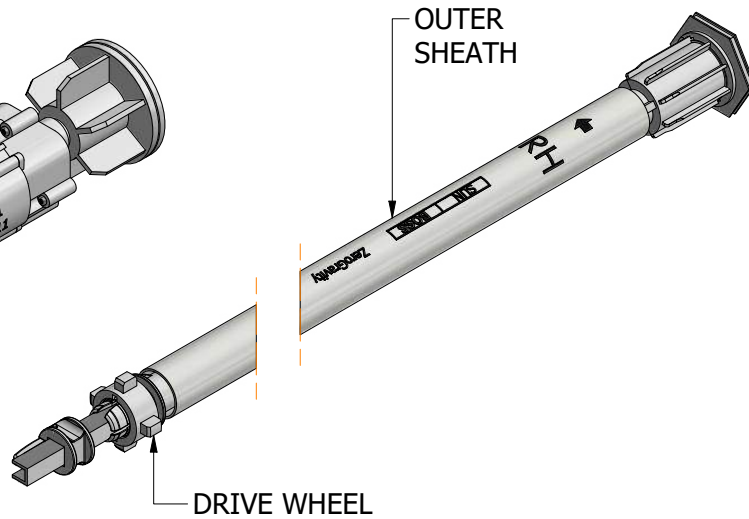
ZERO GRAVITY - MINI
MINIMUM SHADE WIDTH = 10" [254]

ZERO GRAVITY - REGULAR
MINIMUM SHADE WIDTH = 27.5" [698.5]

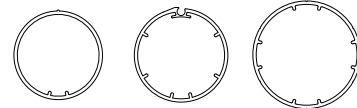
COMPATIBLE SYSTEMS:

- OPEN ROLL
- SB CURVED CASSETTE
- SB 3 SQUARE FASCIA
- SB 4 SQUARE FASCIA
- SB DUAL OPEN ROLL
- SB DUAL CURVED CASSETTE

ZERO GRAVITY - REGULAR



COMPATIBLE TUBES



1.5 [38] T-TUBE
1.69 [43] S-TUBE
2 [50] S-TUBE
MINI ONLY

FEATURES	BENEFITS
Different Spring Types	Zero Gravity - Mini Spring: Ideal for smaller and mid sized windows. Modular constant force springs inside matches the shade weight. Zero Gravity - Regular Spring: The spring tension can be adjusted to always perfectly match the weight of the roller shade, no matter what width, fabric weight or tube size. Foam surrounds the aluminum shaft internally to reduce noise as the spring operates Drive Wheels run smoothly and quietly inside the tube (drive wheels are compatible with all roller shade tubes). Outer Sheath helps to dampen spring noise while operating inside the tube.
Zero Gravity Difference	Shades can be raised and lowered by simply urging the base rail up or down by hand with almost zero effort. Can stop at any position without the use of chains or cords.
Smooth And Quiet	The zero gravity system is quiet and balanced, never heavy to lift.
Balanced Control	Helps to prevent unwanted stress on other shade components and increases the longevity of the entire shade system.



ROLLER SHADE SYSTEMS

Open Roll Chain Systems

Safety Shields: Features & Benefits

All Dimensions Are In Inches [mm]

Safety Shield

COMPATIBLE WITH ALL LOOP CHAINS SIZES

PRODUCT MEETS **THE CANADIAN CORDED WINDOW COVERING REGULATION.**

COMPATIBLE CHAIN SYSTEMS:

- ROLLER SHADE
- INTERLUDE
- ILLUSION

CHAIN SHROUD

LOOP HOLDER


SAFETY SHIELD COLOURS:

WHITE BLACK

DETAIL A (SCALE 1 : 1)

LIGHT GAPS (APPROXIMATE)

LIGHT GAPS ARE NOT AFFECTED BY THIS PRODUCT

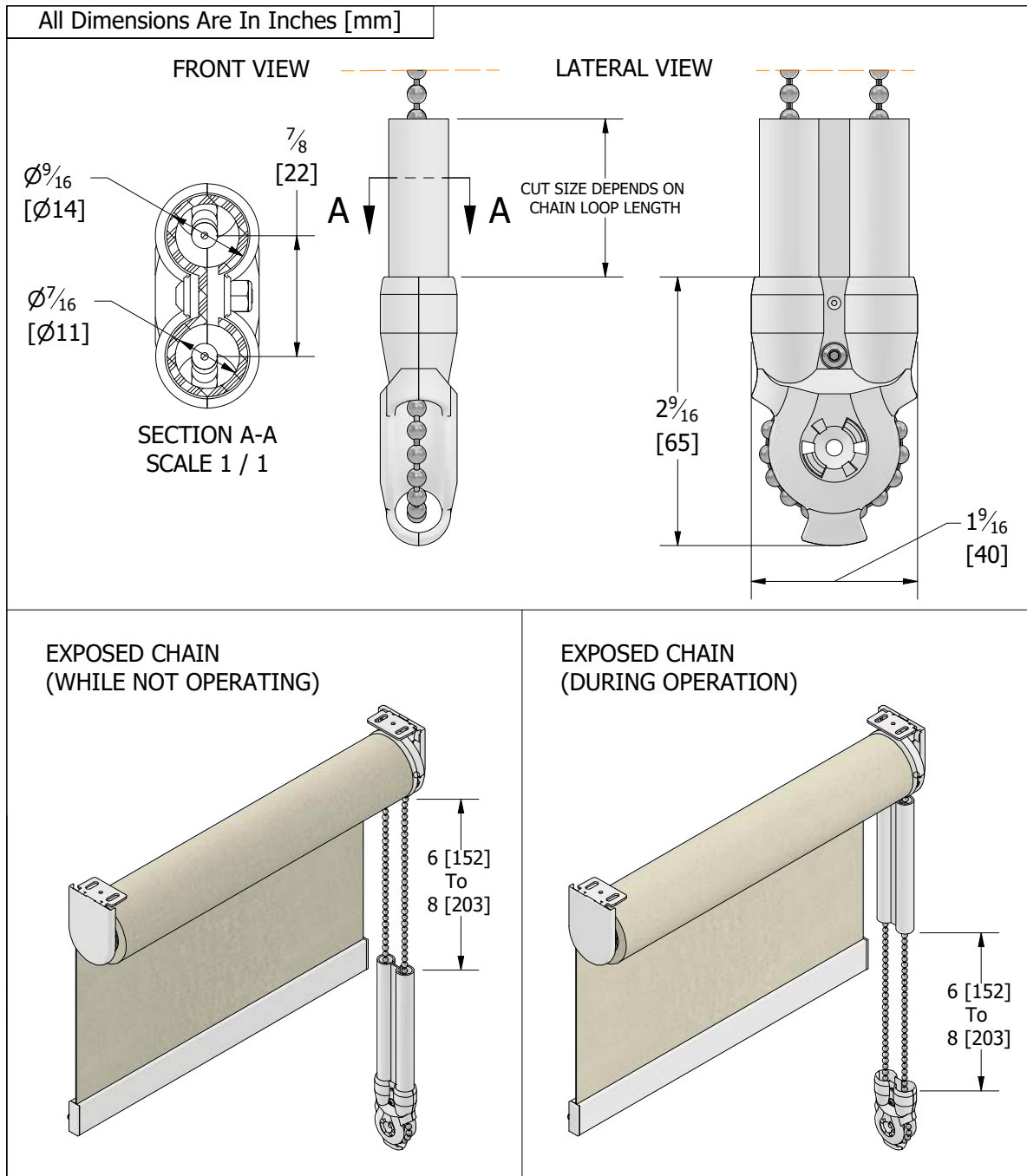
FEATURES	BENEFITS
Child Safe 	The Safety Shield product has been tested and meets the "Canadian Corded Window Covering Regulation".
Adaptable To Different Chain Operated Systems	Adapts to different looped chains systems without the need to replace the clutch or drive components. Also works with $\varnothing 0.35"$ [9mm] plastic or stainless steel stop beads.
Multiple Chain Loops Available	The chain shroud is compatible with different chain loop lengths.
Simple and Safe Installation	The loop holder should be lateral or wall mounted. Lateral mounting is ideal, as chain will have slight twist if wall mounting.
Different Colour Options	The Safety Shield comes in a white and black finish.



ROLLER SHADE SYSTEMS

Open Roll Chain Systems

Safety Shields: Measurements & Sizes



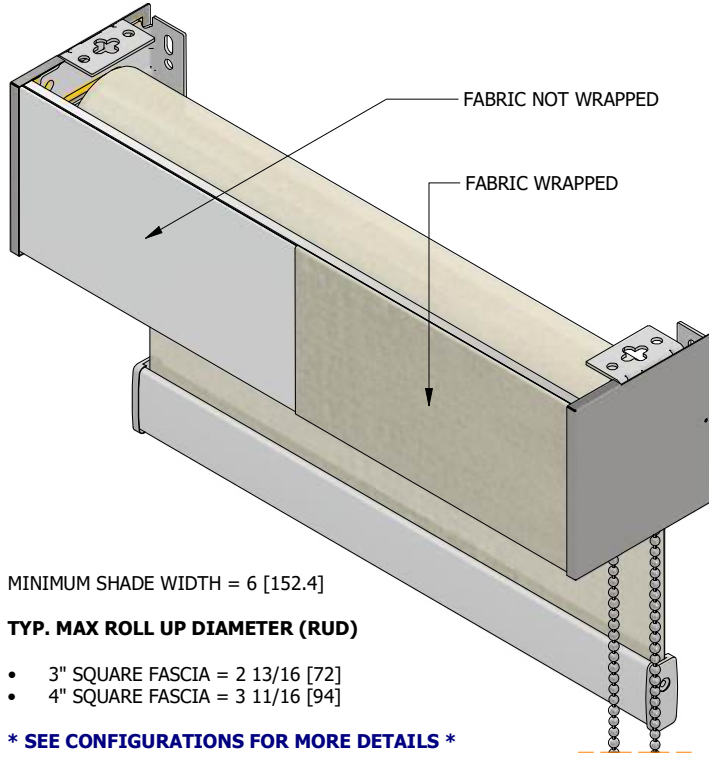


ROLLER SHADE SYSTEMS

3" and 4" Square Fascia: Chain Operated

Features & Benefits

All Dimensions Are In Inches [mm]



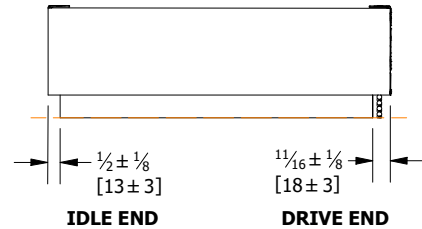
MINIMUM SHADE WIDTH = 6 [152.4]

TYP. MAX ROLL UP DIAMETER (RUD)

- 3" SQUARE FASCIA = 2 13/16 [72]
- 4" SQUARE FASCIA = 3 11/16 [94]

* **SEE CONFIGURATIONS FOR MORE DETAILS ***

LIGHT GAPS (APPROXIMATE)



END CAP THICKNESS: 1/32±1/64 [0.8±0.4]

FASCIA AND COVER COLOURS:



FEATURES	BENEFITS
Heavy Duty Mounting Brackets	Can be ceiling, wall or laterally mounted.
Fabric Wrap Option	Front profile can be wrapped with fabric to match the roller shade.
Thin Bracket Covers	Provides a finished look when outside or partially inside mounting the fascia. Thin metal design to reduce light gaps. (colours match fascia)
Clip On Fascia Design	Fascia securely locks onto each bracket/guard and can be removed to allow access to the shade. Also can be mounted reverse roll.
Universal Chain and Flat Guard Design	Clip on chain guard allows the roller chain to hang away from the fascia and maintains a smooth feel during operation. The flat guard is used to secure the fascia at the idle end. If using fascia for zero gravity or motorized systems two flat guards are required. Notching the fascia is not required.
SB Lift Assist Mechanism (SB LAM) Compatible	SB LAM reduces the pull force required to lift heavy shades when attached to the clutch.
Zero Gravity Compatible	Shade is raised and lowered manually to the desired position with minimal effort. (No clutch and chain required)
Multi Banded (Single Control) Options	SB Multi Band Straight: Allows a group shades to be linked together and driven by a single clutch or motor. Each link can be adjusted to align and level the bottom bars together. All brackets can be covered by a single fascia.
Multi in 1 (Separate Control) Options	SB Multi in 1: Allows a group of shades to be driven individually under a single cassette.
Automation Options	Allows for motorized controls with wireless remotes, switches or other smart devices.



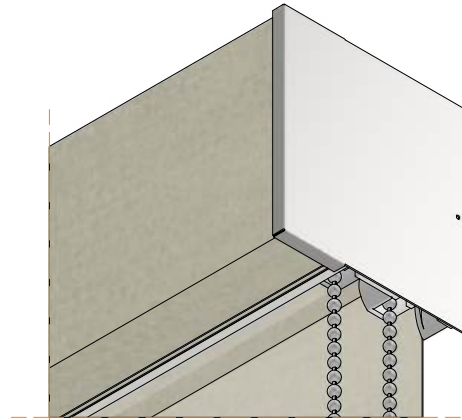
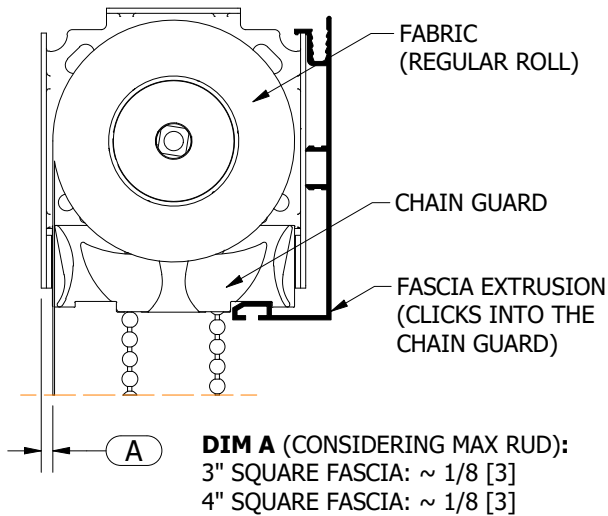
ROLLER SHADE SYSTEMS

3" and 4" Square Fascia: Chain Operated

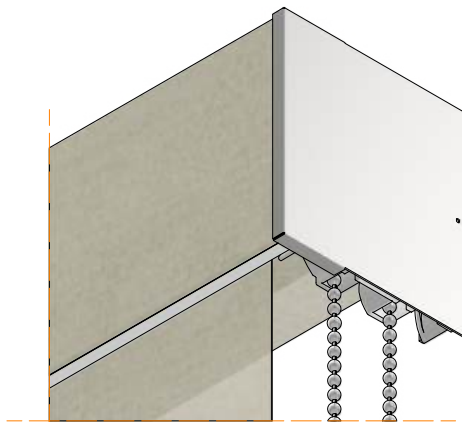
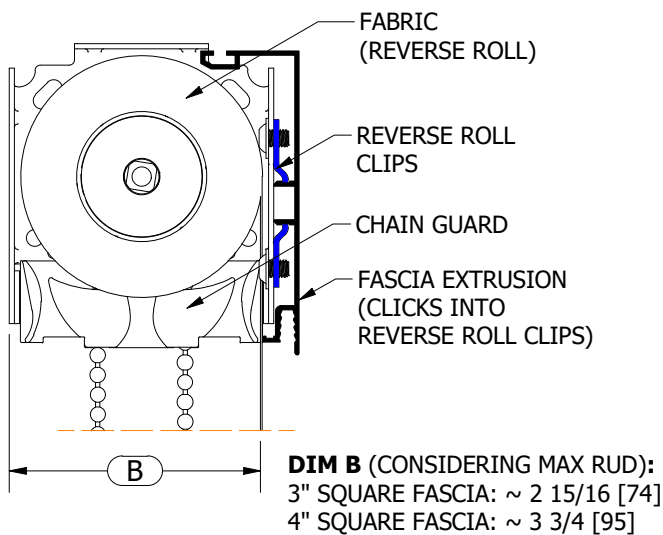
Configurations

All Dimensions Are In Inches [mm]

FASCIA **WITH RETURN** OPTION [1] (Regular Roll)



FASCIA **WITHOUT RETURN** OPTION [2] (Reverse Roll)





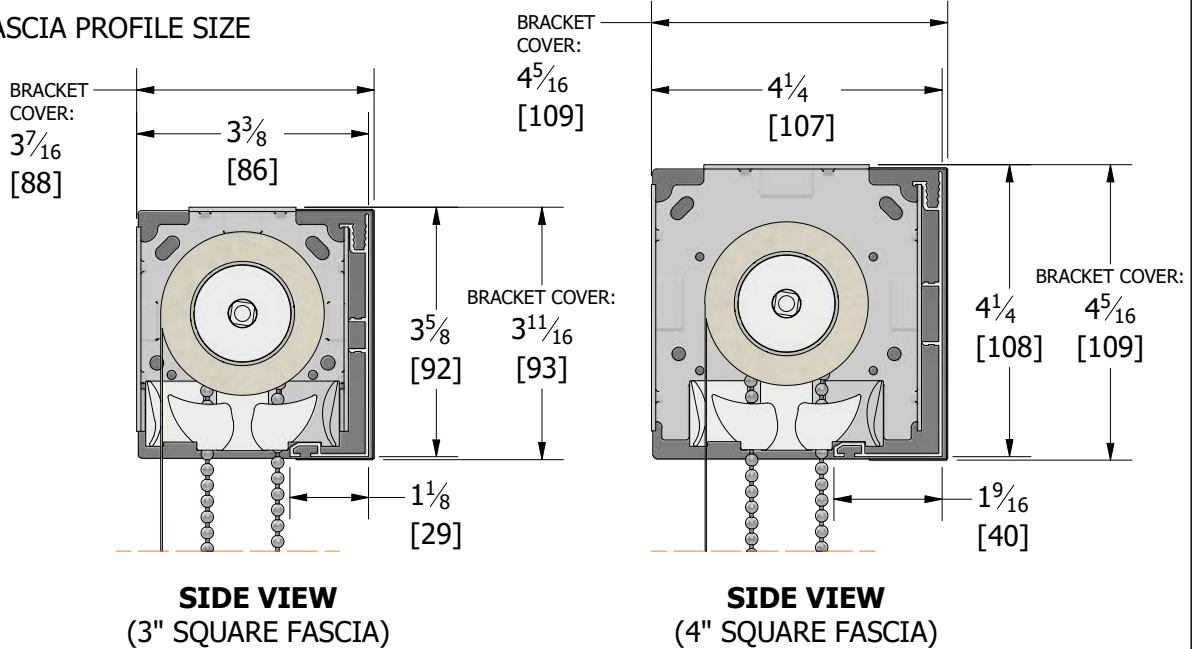
ROLLER SHADE SYSTEMS

3" and 4" Square Fascia: Chain Operated

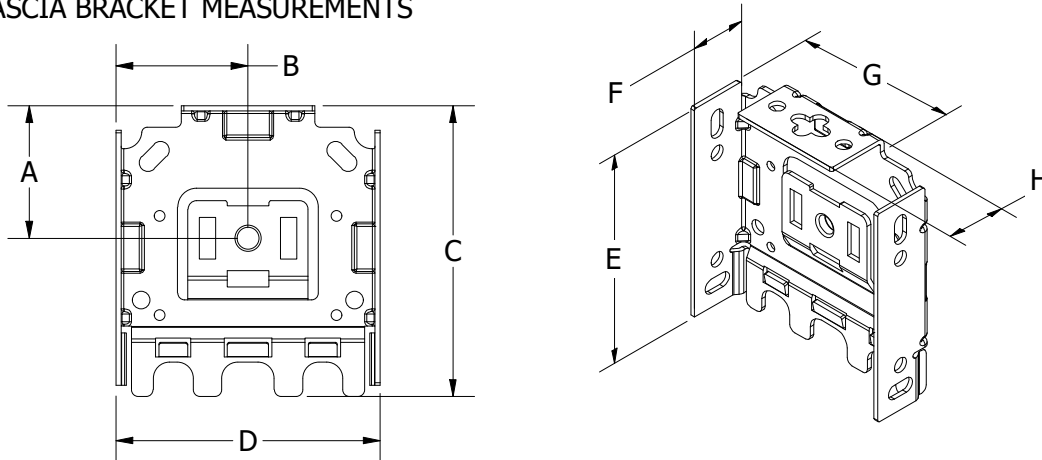
Dimensions & Measurements

All Dimensions Are In Inches [mm]

FASCIA PROFILE SIZE



FASCIA BRACKET MEASUREMENTS



System Type	A	B	C	D	E	F	G	H
3" Square Fascia	$1\frac{9}{16}$ [39]	$1\frac{9}{16}$ [39]	$3\frac{3}{8}$ [86]	$3\frac{1}{16}$ [78]	3 [75]	$\frac{7}{8}$ [22]	$2\frac{5}{16}$ [59]	$\frac{7}{8}$ [22]
4" Square Fascia	2 [51]	$1\frac{15}{16}$ [50]	4 [102]	$3\frac{15}{16}$ [100]	$3\frac{9}{16}$ [91]	$\frac{7}{8}$ [22]	$3\frac{3}{16}$ [81]	$\frac{7}{8}$ [22]

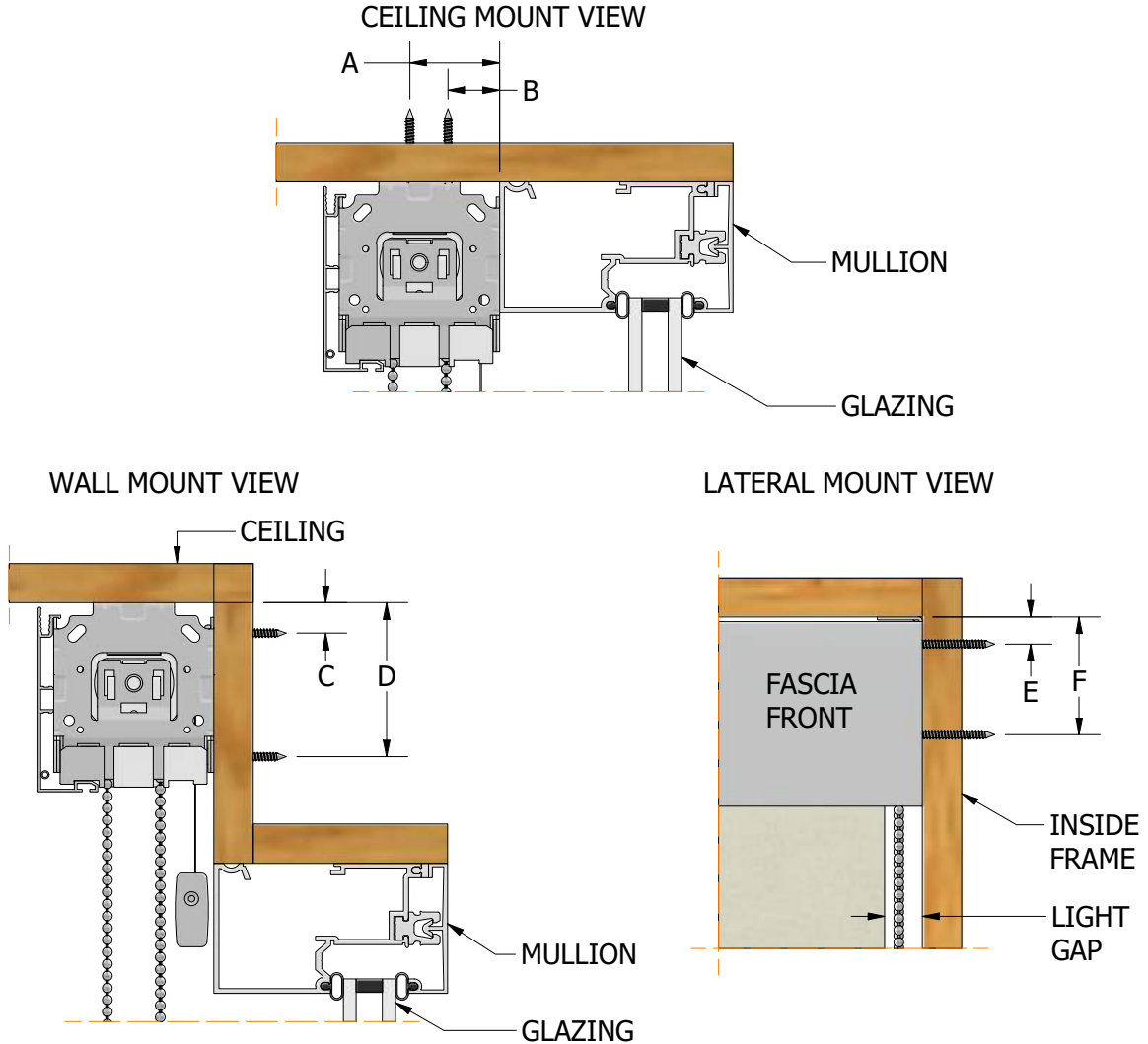


ROLLER SHADE SYSTEMS

3" and 4" Square Fascia: Chain Operated

Mounting Details

All Dimensions Are In Inches [mm]



A = MEASUREMENT FROM WALL FACE TO FURTHEST SCREW
 D = MEASUREMENT FROM CEILING FACE TO FURTHEST SCREW
 F = MEASUREMENT FROM CEILING FACE TO FURTHEST SCREW

COVERS SHOULD NOT BE USED FOR LATERAL MOUNT APPLICATIONS

Fascia Front & Mounting Brackets Considered						
System Type	A	B	C	D	E	F
3" Square Fascia	1 3/4 [44]	1 [25.4]	9/16 [14]	2 15/16 [75]	1/2 [13]	2 1/4 [57]
4" Square Fascia	2 3/16 [55]	1 1/16 [27]	9/16 [14]	3 9/16 [91]	9/16 [14]	2 3/4 [70]

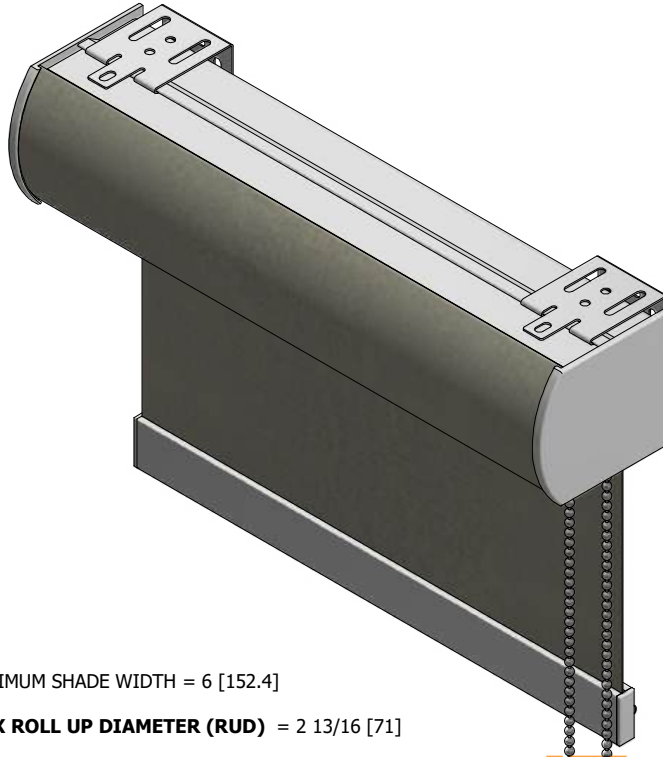


ROLLER SHADE SYSTEMS

Curved Cassette: Chain Operated

Features & Benefits

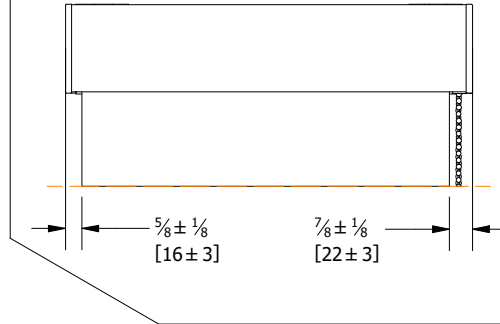
All Dimensions Are In Inches [mm]



MINIMUM SHADE WIDTH = 6 [152.4]

MAX ROLL UP DIAMETER (RUD) = 2 13/16 [71]

LIGHT GAPS (APPROXIMATE)



CASSETTE AND COVER COLOURS:



FEATURES	BENEFITS
Flexible Brackets	Snap on mounting brackets can be ceiling or wall mounted
Fabric Wrap Option	Front of cassette can be wrapped with fabric to match the roller shade
Colour Matching Bracket Covers	Provides a finished look for outside wall mounted applications (colours match mounting brackets and bottom bar end caps)
Fully Assembled System	Completely assembled unit conceals the roller shade from the interior and exterior space
Smooth and Quiet Operation	Clutches are made from UV stabilised, glass-filled nylon and contain 4 small square profiled springs. The result is a strong clutch that operates smoothly with minimal effort.
SB Lift Assist Mechanism (SB LAM) Compatible	SB LAM reduces the pull force required to lift heavy shades when attached to the clutch
Zero Gravity Compatible	Shade is raised and lowered manually to the desired position with minimal effort. (No clutch and chain required)
NEO Chainless Compatible	Can easily be retracted by a slight pull of the bottom bar or blind pull. The spring end helps to retract the shade while the speed reducer slows the shade down as it approaches the upper limit.
Multi Banded (Single Control) Options	SB Multi Band Straight: Allows a group shades to be linked together and driven by a single clutch or motor. Each link can be adjusted to align and level the bottom bars together. All brackets can be covered by a single cassette.
Multi in 1 (Separate Control) Options	SB Multi in 1: Allows a group of shades to be driven individually under a single cassette.
Automation Options	Allows for motorized controls with wireless remotes, switches or other smart devices



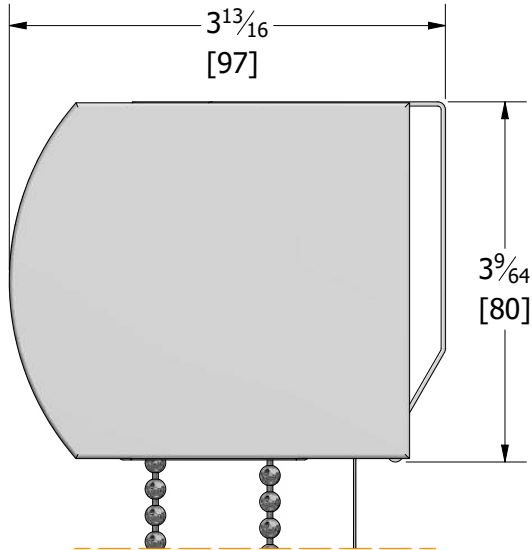
ROLLER SHADE SYSTEMS

Curved Cassette: Chain Operated

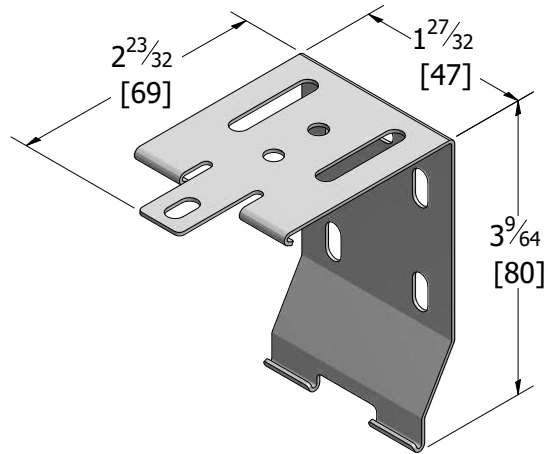
Dimensions & Measurements

All Dimensions Are In Inches [mm]

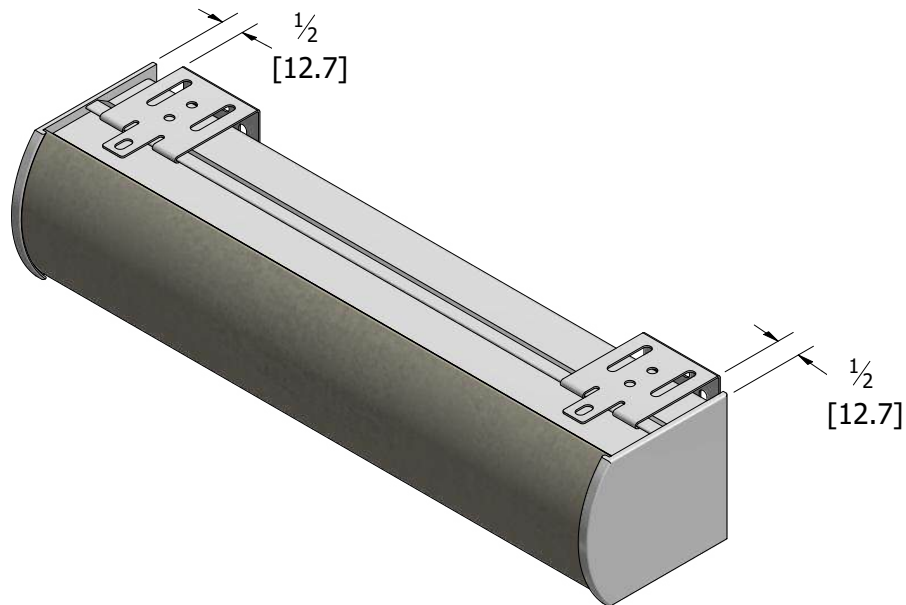
SIDE VIEW



MOUNTING BRACKET



BRACKET SPACING





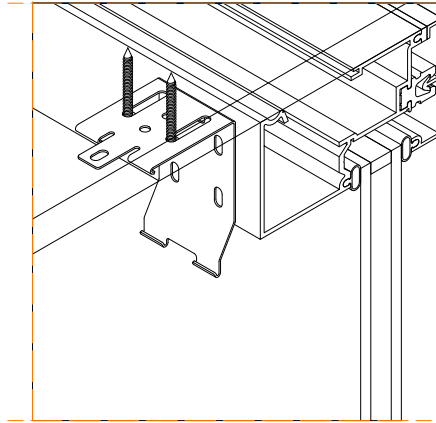
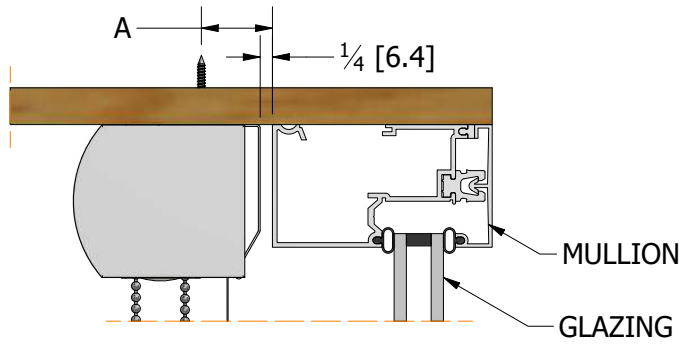
ROLLER SHADE SYSTEMS

Curved Cassette: Chain Operated

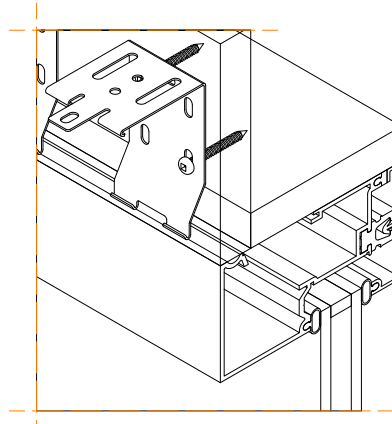
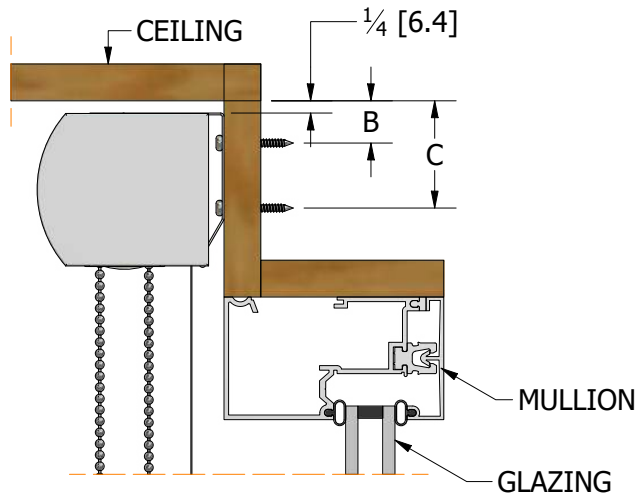
Mounting Details

All Dimensions Are In Inches [mm]

CEILING MOUNT VIEW



WALL MOUNT VIEW



A = MEASUREMENT FROM WALL FACE TO FURTHEST SCREW
 B = MEASUREMENT FROM CEILING FACE TO NEAREST SCREW
 C = MEASUREMENT FROM CEILING FACE TO FURTHEST SCREW

Mounting Brackets Considered

System	Bracket Type	A	B	C
SB Curved Cassette	1.6 [40] Slimline Bracket	1 3/8 [34.9]	7/8 [22.2]	2 1/8 [54]

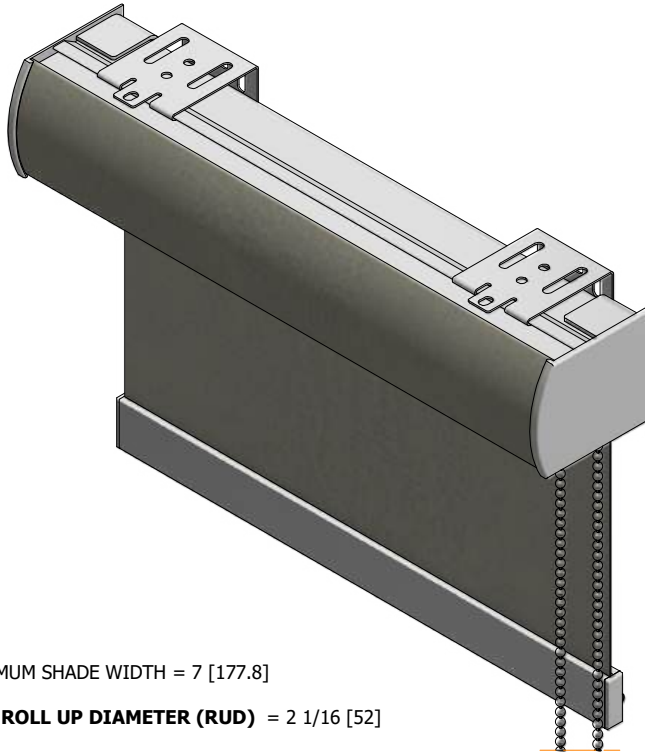


ROLLER SHADE SYSTEMS

Compact Curved Cassette: Chain Operated

Features & Benefits

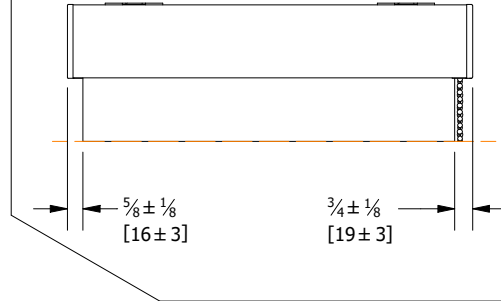
All Dimensions Are In Inches [mm]



MINIMUM SHADE WIDTH = 7 [177.8]

MAX ROLL UP DIAMETER (RUD) = 2 1/16 [52]

LIGHT GAPS (APPROXIMATE)



CASSETTE AND COVER COLOURS:



FEATURES	BENEFITS
Flexible Brackets	Snap on mounting brackets can be ceiling or wall mounted
Fabric Wrap Option	Front of cassette can be wrapped with fabric to match the roller shade
Colour Matching Bracket Covers	Provides a finished look for outside wall mounted applications (colours match mounting brackets and bottom bar end caps)
Fully Assembled System	Completely assembled unit conceals the roller shade from the interior and exterior space
Smooth and Quiet Operation	Clutches are made from UV stabilised, glass-filled nylon and contain 4 small square profiled springs. The result is a strong clutch that operates smoothly with minimal effort.
Zero Gravity Compatible	Shade is raised and lowered manually to the desired position with minimal effort. (No clutch and chain required)
NEO Chainless Compatible	Can easily be retracted by a slight pull of the bottom bar or blind pull. The spring end helps to retract the shade while the speed reducer slows the shade down as it approaches the upper limit.
Multi in 1 (Separate Control) Options	SB Multi in 1: Allows a group of shades to be driven individually under a single cassette.
Automation Options	Allows for motorized controls with wireless remotes, switches or other smart devices



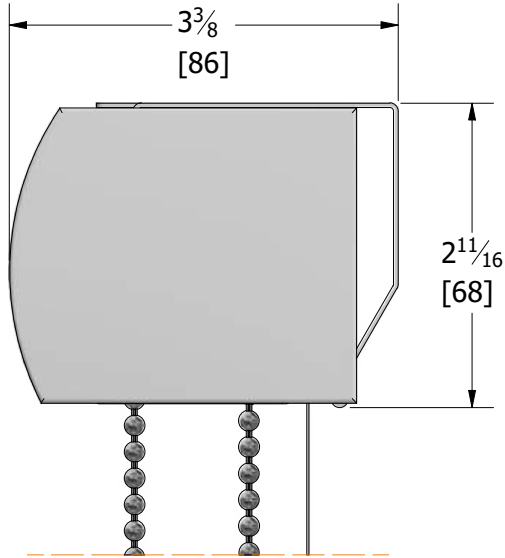
ROLLER SHADE SYSTEMS

Compact Curved Cassette: Chain Operated

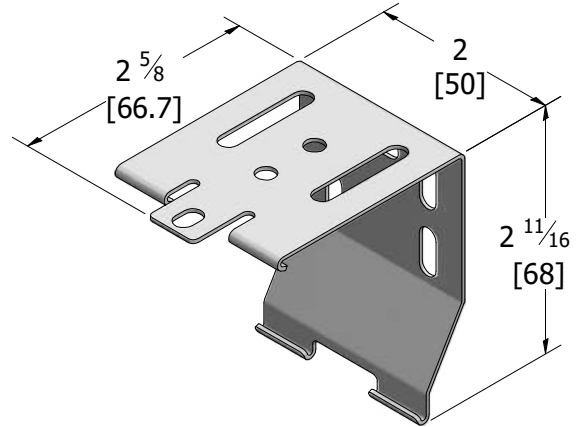
Dimensions & Measurements

All Dimensions Are In Inches [mm]

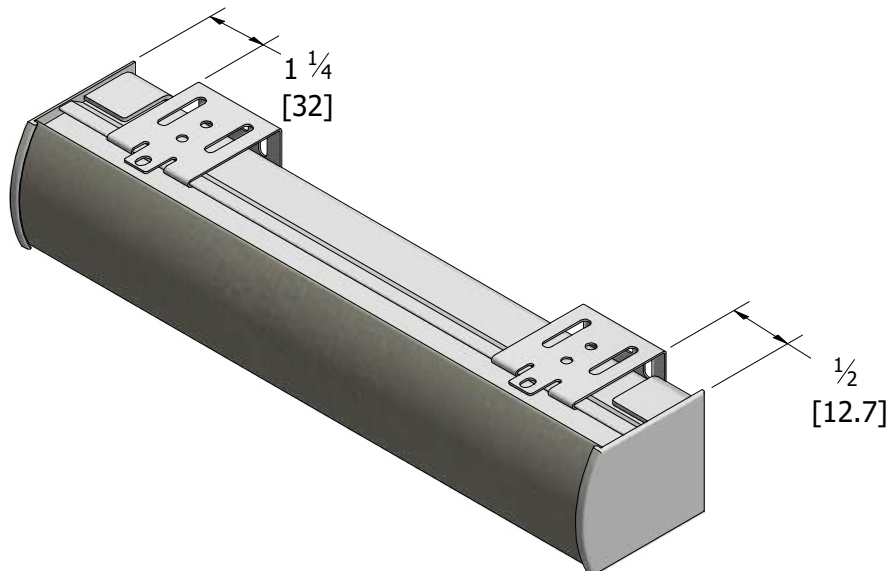
SIDE VIEW



MOUNTING BRACKET



BRACKET SPACING





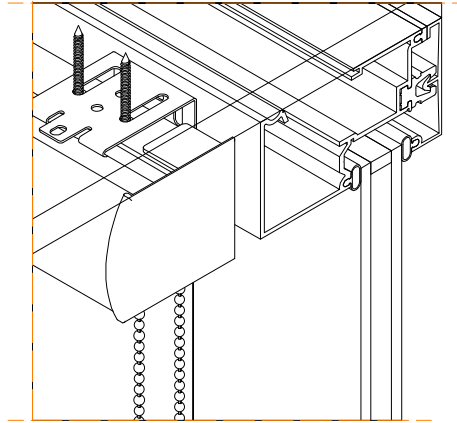
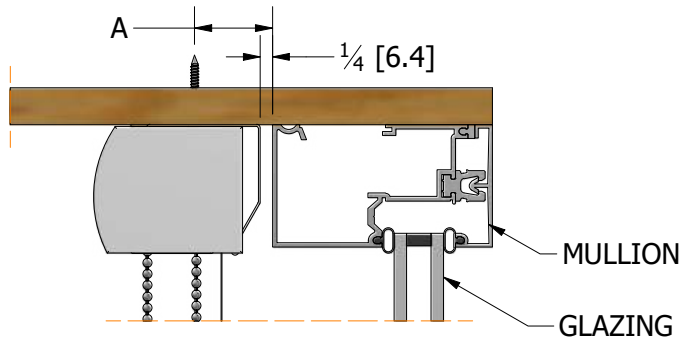
ROLLER SHADE SYSTEMS

Compact Curved Cassette: Chain Operated

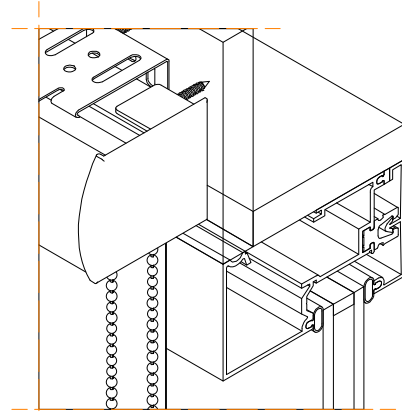
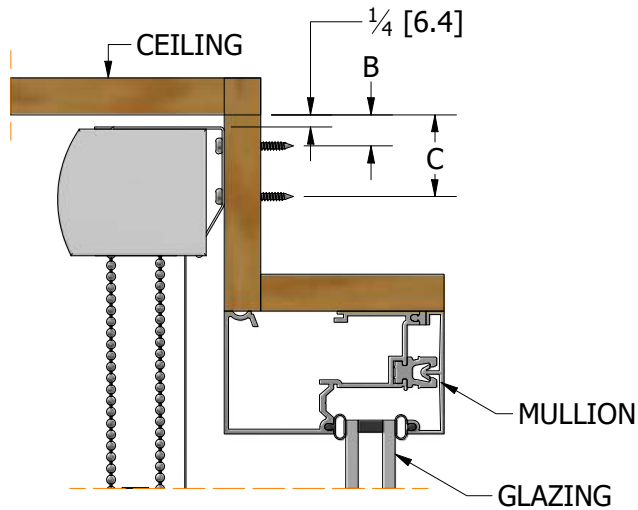
Mounting Details

All Dimensions Are In Inches [mm]

CEILING MOUNT VIEW



WALL MOUNT VIEW



A = MEASUREMENT FROM WALL FACE TO FURTHEST SCREW
 B = MEASUREMENT FROM CEILING FACE TO NEAREST SCREW
 C = MEASUREMENT FROM CEILING FACE TO FURTHEST SCREW

Mounting Brackets Considered

System	Bracket Type	A	B	C
Compact Curved Cassette	1.25 [32] Slimline Bracket	1 9/16 [39.7]	5/8 [15.9]	1 9/16 [39.7]



ROLLER SHADE SYSTEMS

Square Cassette: Chain Operated

Features & Benefits

All Dimensions Are In Inches [mm]

FABRIC NOT WRAPPED

FABRIC WRAPPED

MINIMUM SHADE WIDTH = 6 [152.4]

MAX ROLL UP DIAMETER (RUD) = 2 13/16 [71]

LIGHT GAPS (APPROXIMATE)

CASSETTE AND COVER COLOURS:

WHITE GREY LINEN BLACK

FEATURES	BENEFITS
Flexible Brackets	Snap on mounting brackets, coated in zinc can be ceiling or wall mounted.
Fabric Wrap Option	Front of cassette can be wrapped with fabric to match the roller shade.
Colour Matching Bracket Covers	Provides a finished look for outside wall mounted applications (colours match bottom bar end caps).
Fully Assembled System	Completely assembled unit conceals the roller shade from the interior and exterior space.
Smooth and Quiet Operation	Clutches are made from UV stabilised, glass-filled nylon and contain 4 small square profiled springs. The result is a strong clutch that operates smoothly with minimal effort.
SB Lift Assist Mechanism (SB LAM) Compatible	SB LAM reduces the pull force required to lift heavy shades when attached to the clutch.
Zero Gravity Compatible	Shade is raised and lowered manually to the desired position with minimal effort. (No clutch and chain required).
NEO Chainless Compatible	Can easily be retracted by a slight pull of the bottom bar or blind pull. The spring end helps to retract the shade while the speed reducer slows the shade down as it approaches the upper limit.
Multi Banded (Single Control) Options	SB Multi Band Straight: Allows a group shades to be linked together and driven by a single clutch or motor. Each link can be adjusted to align and level the bottom bars together. All brackets can be covered by a single cassette.
Multi in 1 (Separate Control) Options	SB Multi in 1: Allows a group of chain operated, motorized and zero gravity shades to be driven individually under a single cassette.
Automation Options	Allows for motorized controls with wireless remotes, switches or other smart devices.



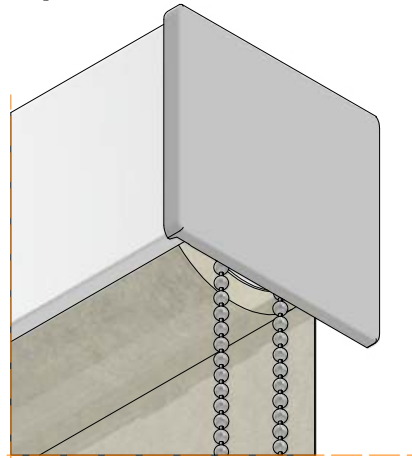
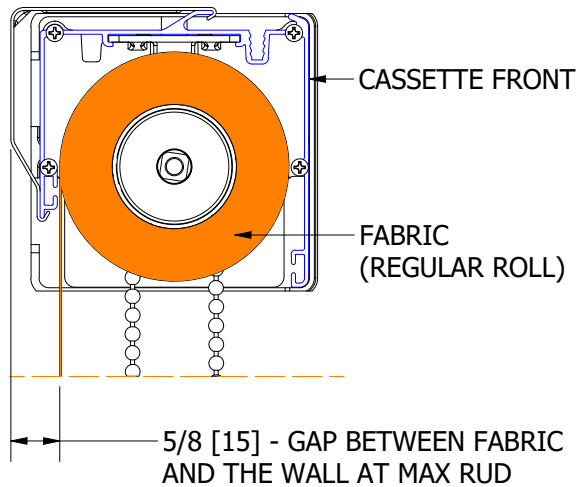
ROLLER SHADE SYSTEMS

Square Cassette: Chain Operated

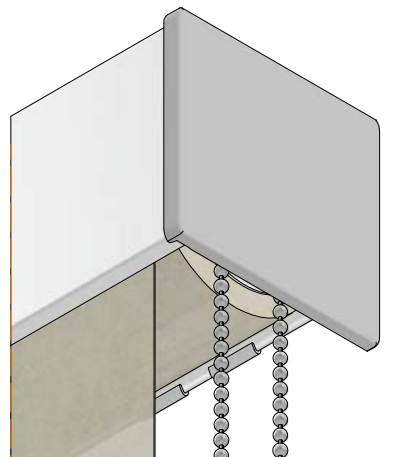
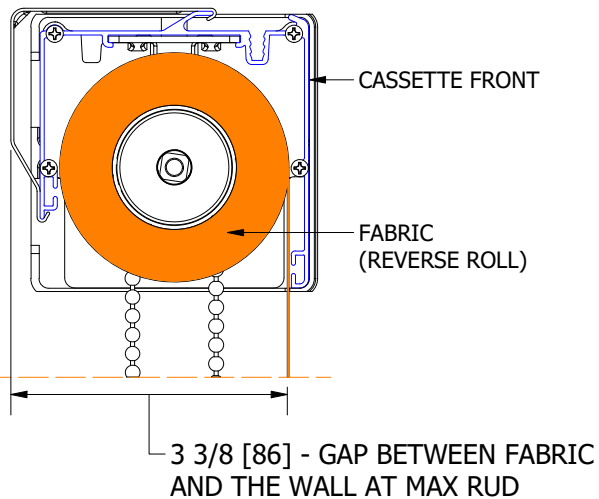
Configurations

All Dimensions Are In Inches [mm]

OPTION [1] (Regular Roll)



OPTION [2] (Reverse Roll)





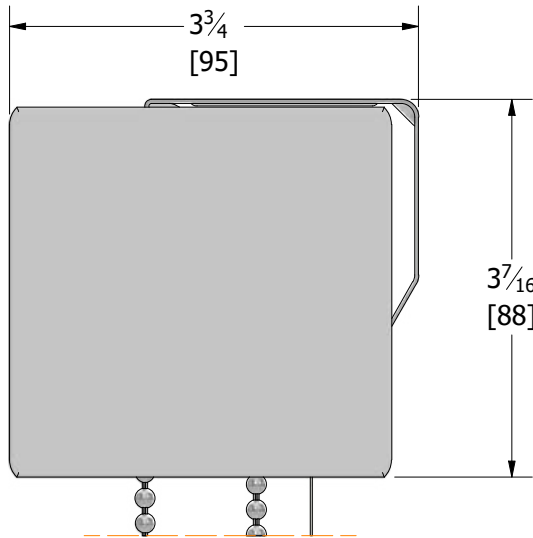
ROLLER SHADE SYSTEMS

Square Cassette: Chain Operated

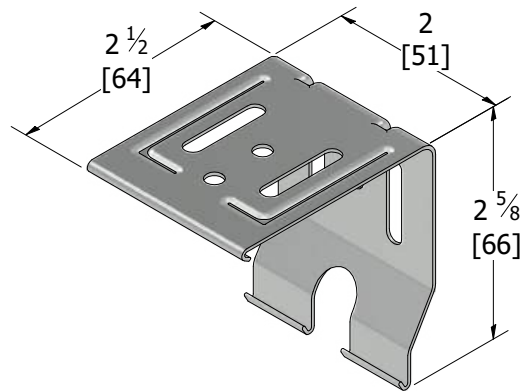
Measurements & Sizes

All Dimensions Are In Inches [mm]

SIDE PROFILE



ISOMETRIC VIEW
(Bracket Size)

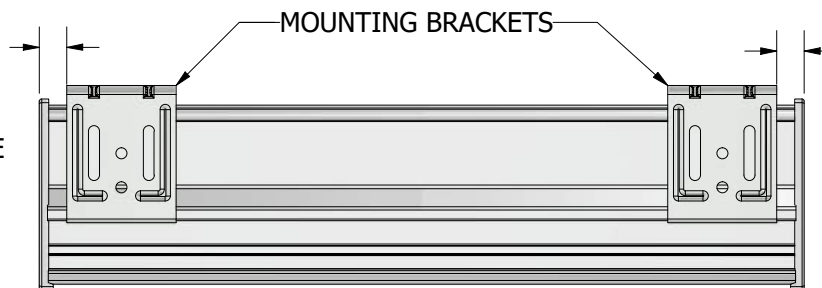


TOP VIEW
(Bracket Spacing)

Brackets Required By Width

Shade Width	<60"	60"-96"	96"-120"	120"-148"	>148"
# of Brackets	2	3	4	5	6

1/2
[13]
MINIMUM
CLEARANCE



1/2
[13]
MINIMUM
CLEARANCE

NOTE:

Mounting bracket can be installed anywhere along the top of the cassette, except for minimum clearance area shown. Each Mounting Bracket Requires a minimum of **2 screws** for **ceiling** or **wall** mounts.

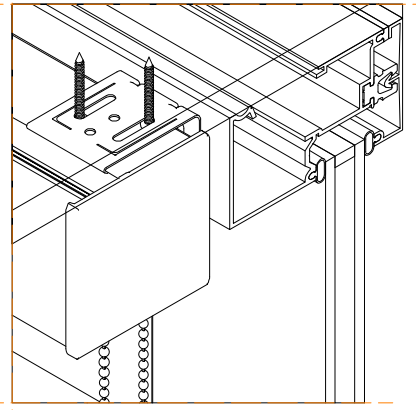
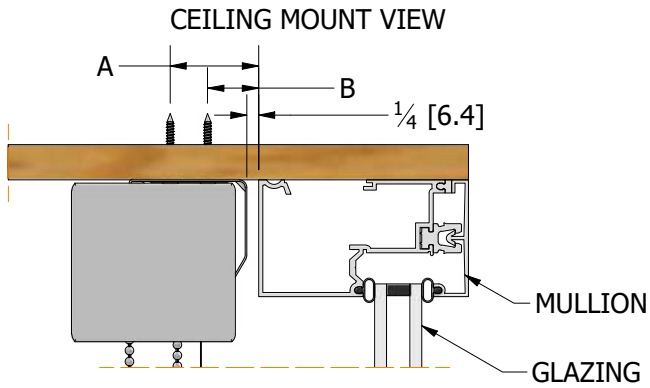


ROLLER SHADE SYSTEMS

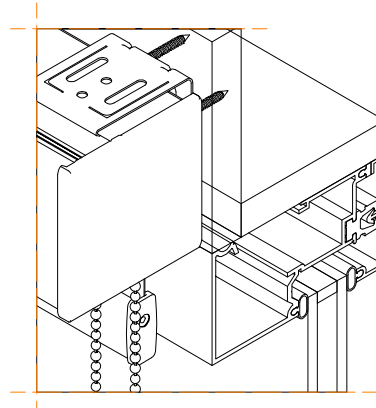
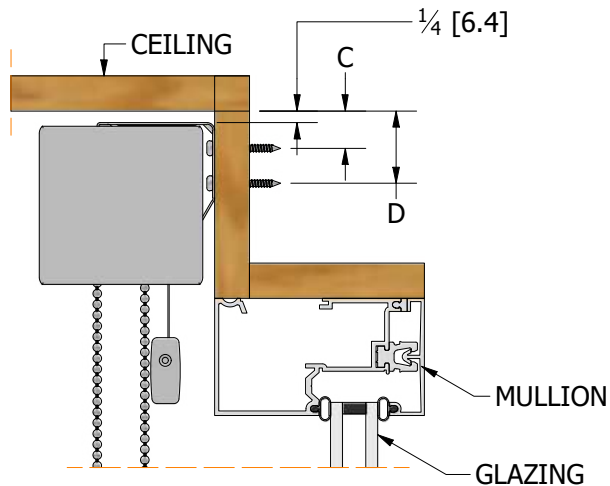
Square Cassette: Chain Operated

Mounting Details

All Dimensions Are In Inches [mm]



WALL MOUNT VIEW



- A = MEASUREMENT FROM WALL FACE TO FURTHEST SCREW
- B = MEASUREMENT FROM CEILING FACE TO NEAREST SCREW
- C = MEASUREMENT FROM CEILING FACE TO FURTHEST SCREW

Mounting Brackets Considered

System Type	A	B	C	D
Square Cassette	1 7/8 [48]	1 1/8 [28]	13/16 [20]	1 9/16 [39]



ROLLER SHADE SYSTEMS

Product Information: L-Channel Mounting Details

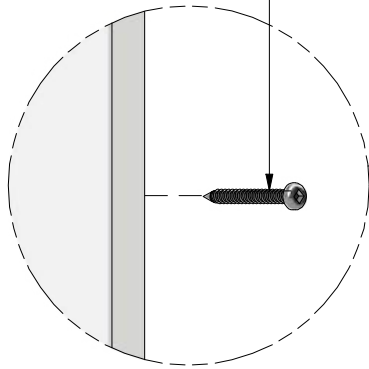
All Dimensions Are In Inches [mm]

SPACE BETWEEN L CHANNEL AND THE VALANCE

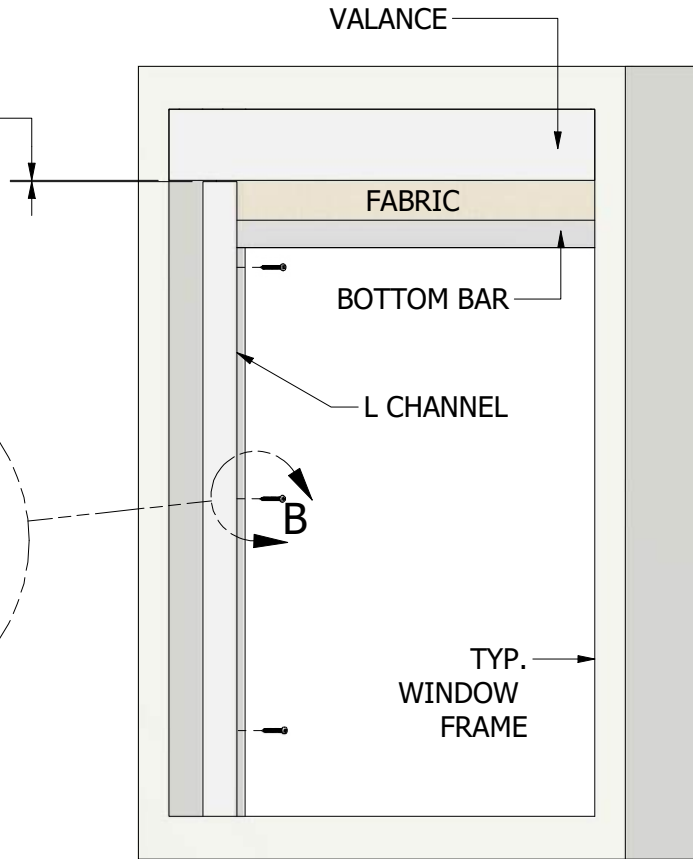
$$\frac{1}{16} \pm \frac{1}{32}$$

$$[2 \pm .8]$$

TYP.
#8x1.5
PAN SOCKET
TAPPING SCREW

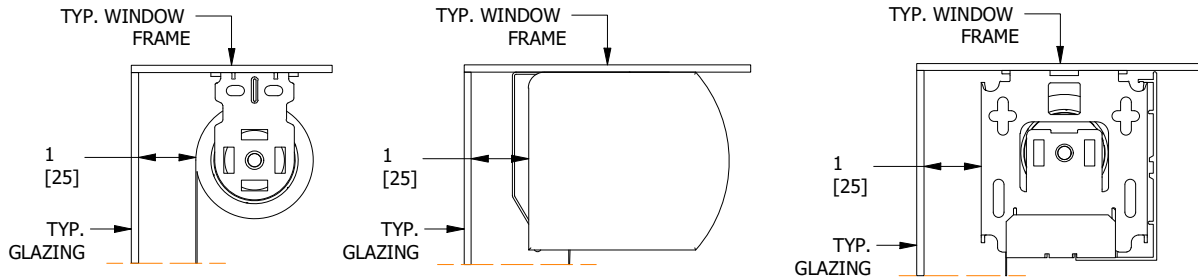


DETAIL B
SCALE 1 / 2



NOTE:

- L CHANNEL IN FRONT OF THE FABRIC SHOWN ABOVE. TO SEE L CHANNEL BEHIND THE FABRIC REFER TO ALTERNATIVE CONFIGURATIONS CUT SHEET.
- IF MOUNTING THE L CHANNEL BEHIND THE FABRIC A 1" [25.4MM] CLEARANCE IS REQUIRED BETWEEN THE SHADE SYSTEM AND GLAZING, SEE BELOW.





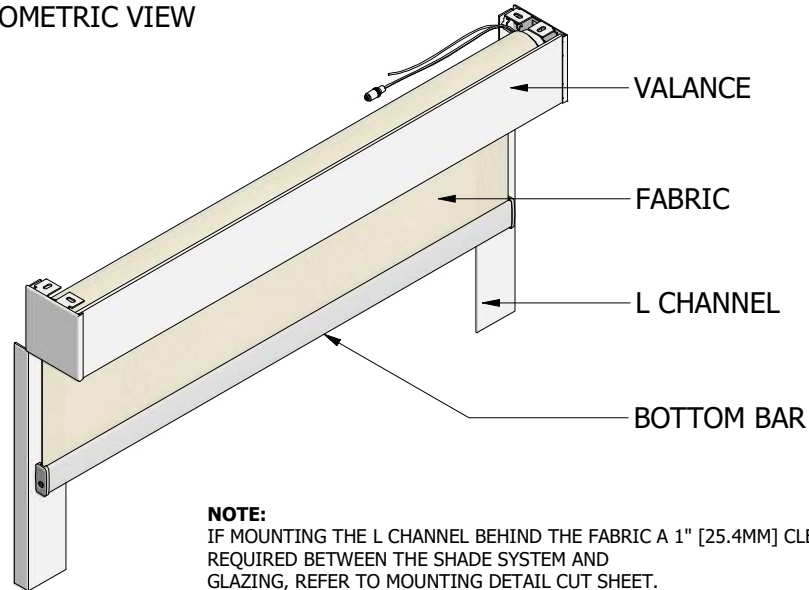
ROLLER SHADE SYSTEMS

Product Information: L-Channel Configurations

All Dimensions Are In Inches [mm]

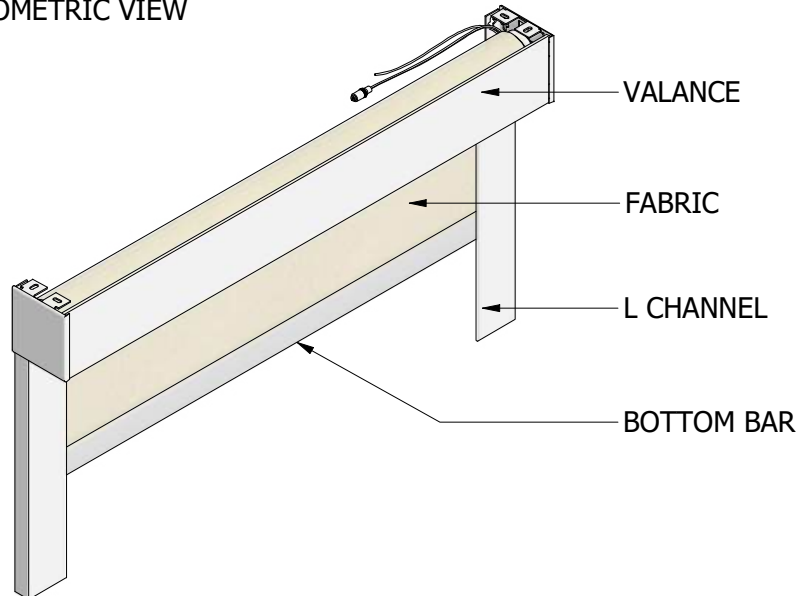
L CHANNEL BEHIND THE BOTTOM BAR AND FABRIC

ISOMETRIC VIEW



L CHANNEL IN FRONT OF THE BOTTOM BAR AND FABRIC

ISOMETRIC VIEW

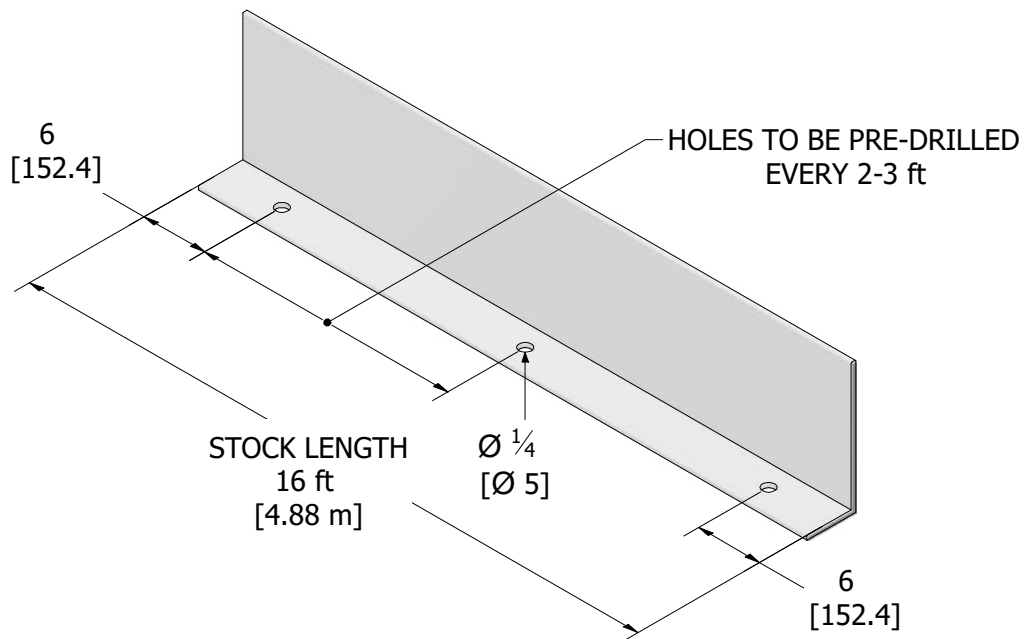
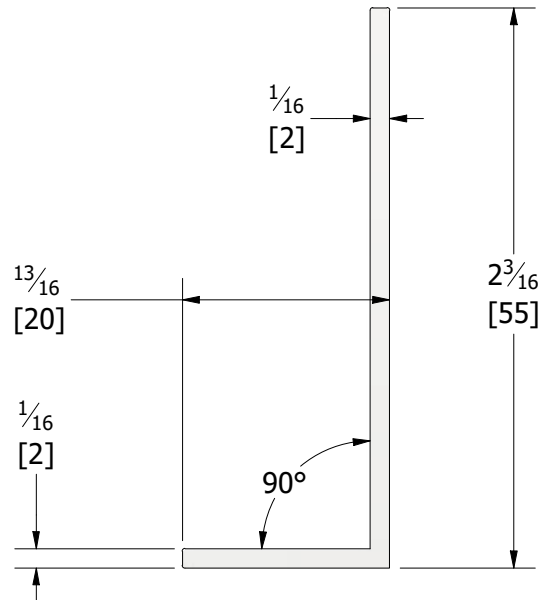




ROLLER SHADE SYSTEMS

Product Information: L-Channel Measurements and Sizes

All Dimensions Are In Inches [mm]

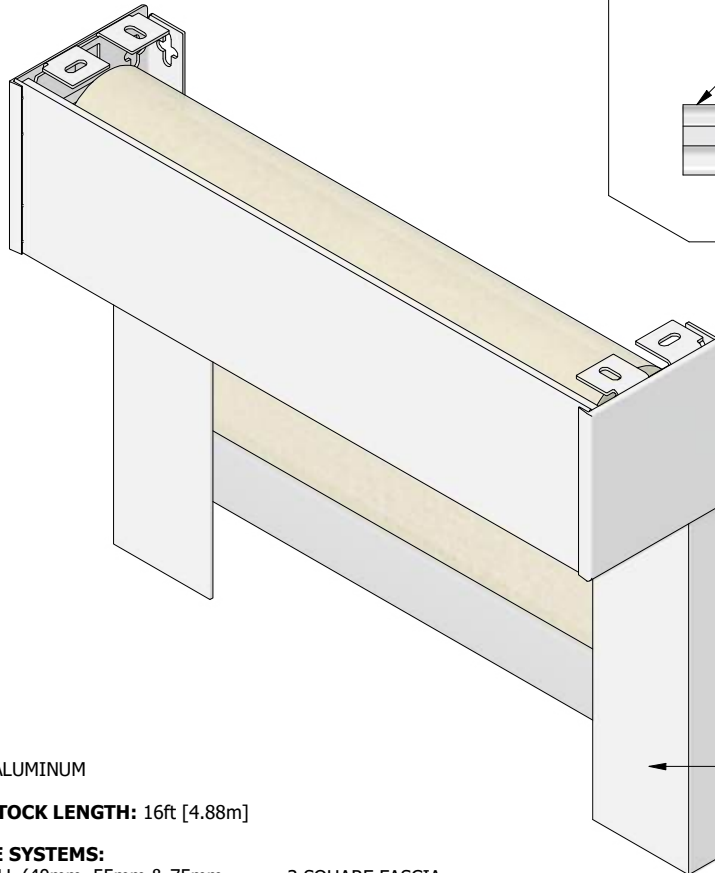




ROLLER SHADE SYSTEMS

Product Information: L-Channel Features and Benefits

All Dimensions Are In Inches [mm]



MATERIAL: ALUMINUM

MAXIMUM STOCK LENGTH: 16ft [4.88m]

COMPATIBLE SYSTEMS:

- OPEN ROLL (40mm, 55mm & 75mm SLIM LINE BRACKETS)
- COMPACT CURVED CASSETTE
- CURVED CASSETTE
- 3 SQUARE FASCIA
- 4 SQUARE FASCIA
- DUAL OPEN ROLL
- DUAL SQUARE FASCIA

NOTE: 3" SQUARE FASCIA SYSTEM SHOWN AS AN EXAMPLE.

FEATURES	BENEFITS
Glare Reduction	Minimizes the light penetration that can be seen through the Roller Shade light gaps on either side.
Bottom Bar Options	Works with a wide variety of Roller Shade bottom bars.
Different Mounting Orientations	Can be laterally mounted in the front or behind the bottom bar and fabric.
Bottom Channel (Optional)	Reduces the Light Penetration at the bottom window ledge.
System Flexibility	Can be used in conjunction with Chain Operated or Motorized Roller Shade Systems.



ROLLER SHADE ACCESSORIES

Telescopic Draw Rod (TDR) & Accubar 2.1 Pull Tab

TDR & Accubar2.1 Pull Tab: Features & Benefits

All Dimensions Are In Inches [mm]

FEELER LOCK:
(SPIN CLOCKWISE TO LOCK
AND COUNTER CLOCKWISE
TO UNLOCK)

**ACCUBAR 2.1
PULL TAB**

**TELESCOPIC DRAW ROD
(TDR)**

**TDR
HOLDER**

TELESCOPIC DRAW ROD LENGTHS:
MIN LENGTH: 14 ³/₁₆ [360]
MAX LENGTH: 24 ¹/₂ [622]

NOTE: THE ACCUBAR 2.1 PULL TAB CAN ALSO BE USED ON ITS OWN, WITHOUT THE TELESCOPIC DRAW ROD.

**TELESCOPIC DRAW ROD (TDR)
CLICKING INTO TDR HOLDER:**

**ACCUBAR 2.1 PULL TAB & TDR HOLDER
COLOURS:**

WHITE - PLASTIC

TELESCOPIC DRAW ROD COLOURS:

GREY - PLASTIC

FEATURES	BENEFITS
Long Reach	Allows for the use of zero gravity operating system when shades would normally be out of reach.
Telescopic Draw Rod	The telescopic draw rod extends from 14" to 24" and has a hook-type attachment at the top. Can be easily shortened by spinning the feeler lock clockwise to lock the desired length.
Attachable Pull Tab	The Accubar 2.1 pull tab clips onto the Sun Glow Accubar 2.1 bottom bar and allows the telescopic draw rod to be used. It can be used on wrapped and unwrapped Accubar 2.1 bottom bar.
Adaptable Hook-Type Attachment	The hook-type attachment is shaped to fit into the Accubar 2.1 pull tab to assist in lowering and raising zero gravity shades.
Mountable TDR Holder	The TDR holder allows the telescopic draw rod to be mounted inside or outside the window frame.



ROLLER SHADE ACCESSORIES

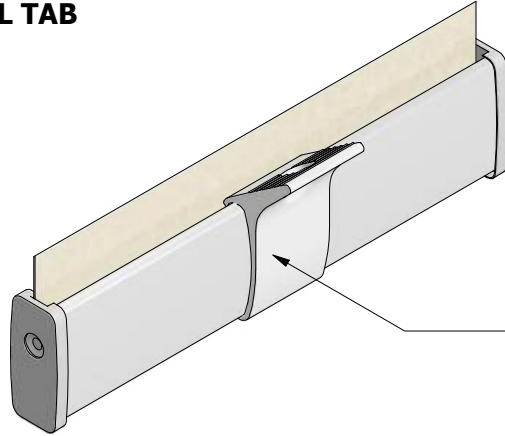
Telescopic Draw Rod (TDR) & Accubar 2.1 Pull Tab

TDR & Accubar2.1 Pull Tab: Configuraton

All Dimensions Are In Inches [mm]

OPTION [1]

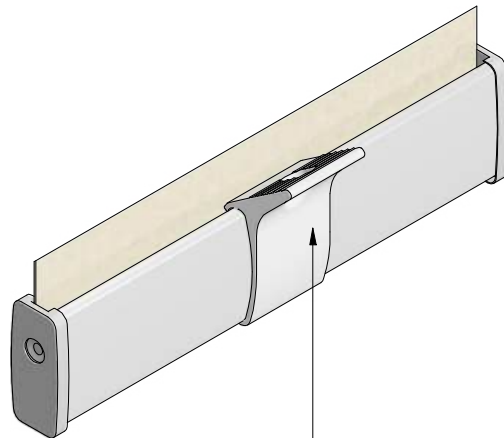
ACCUBAR 2.1 PULL TAB



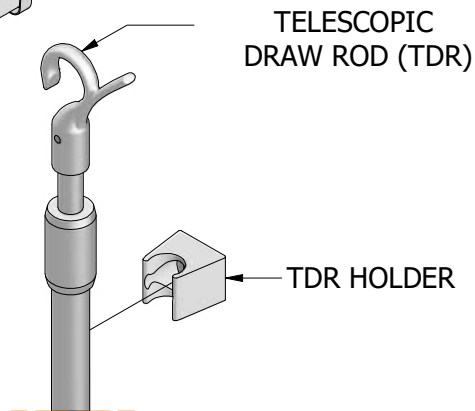
ACCUBAR 2.1 PULL TAB
(CAN BE USED WITH
WRAPPED & UNWRAPPED
ACCUBAR 2.1 BOTTOM BAR.)

OPTION [2]

ACCUBAR 2.1 PULL TAB WITH TELESCOPIC DRAW ROD (TDR) & TDR HOLDER



ACCUBAR 2.1 PULL TAB
(CAN BE USED WITH
WRAPPED & UNWRAPPED
ACCUBAR 2.1 BOTTOM BAR.)



TELESCOPIC
DRAW ROD (TDR)

TDR HOLDER

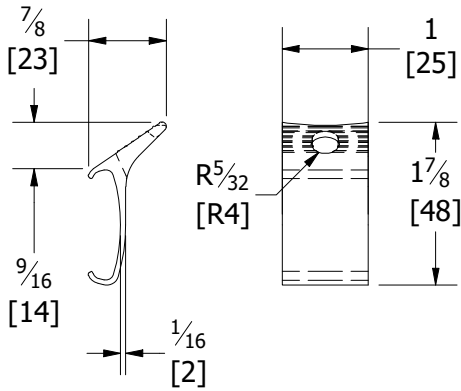


ROLLER SHADE ACCESSORIES

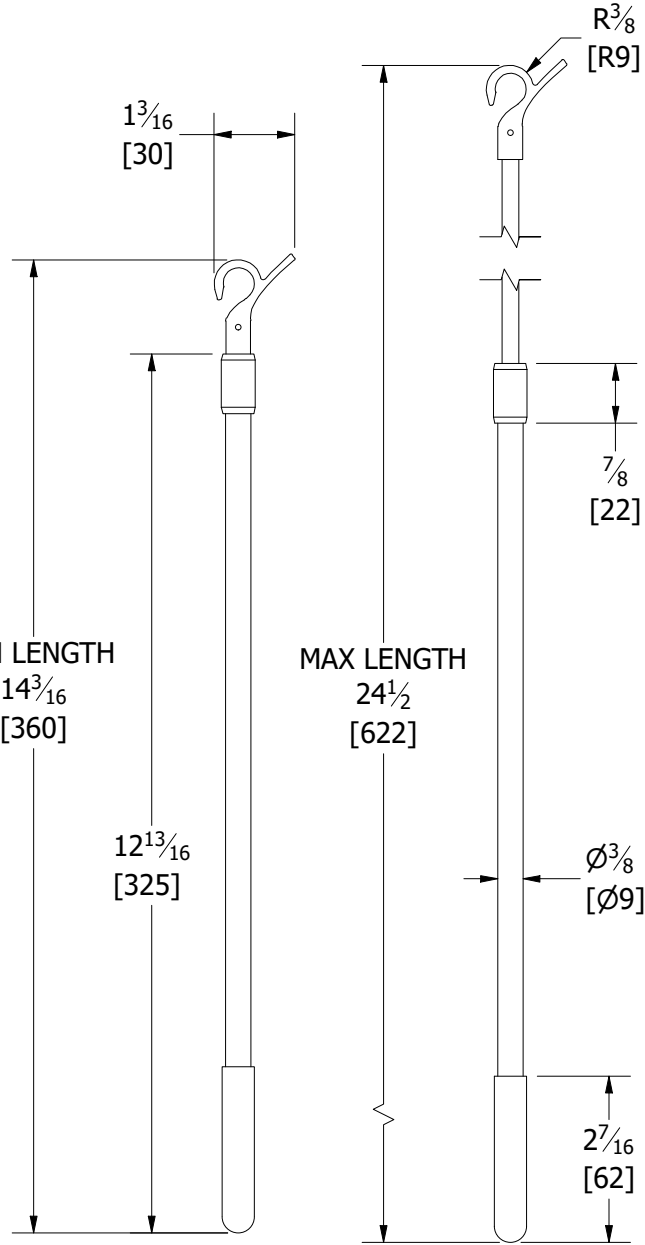
Telescopic Draw Rod (TDR) & Accubar 2.1 Pull Tab

TDR & Accubar2.1 Pull Tab: Measurements & Sizes

All Dimensions Are In Inches [mm]



ACCUBAR 2.1 PULL TAB

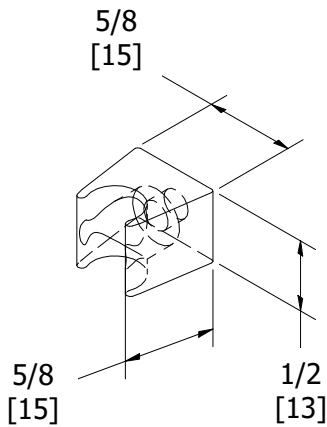


MIN LENGTH
14³/₁₆
[360]

MAX LENGTH
24¹/₂
[622]

TDR
(CLOSED)

TDR
(EXTENDED)



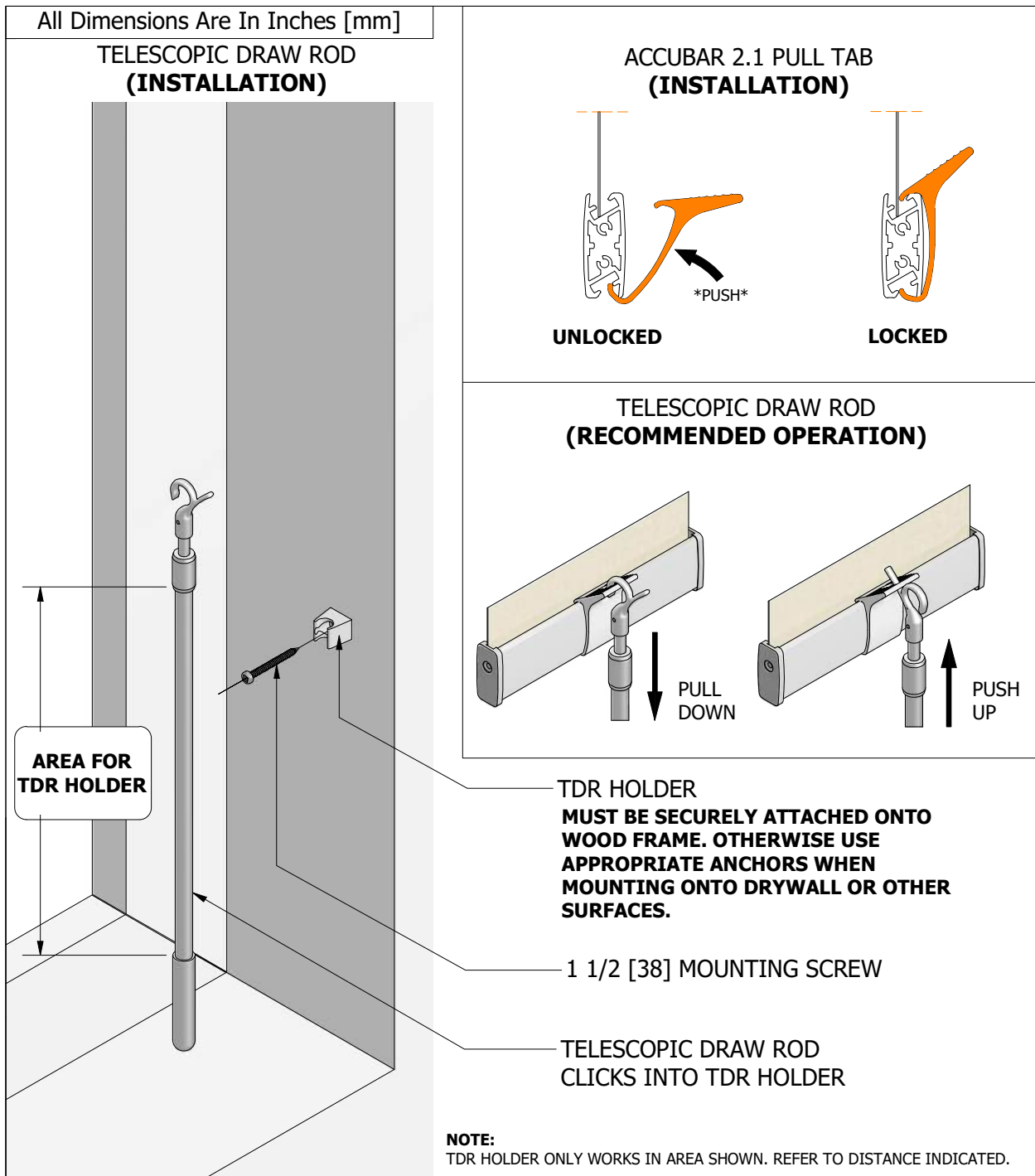
TDR HOLDER



ROLLER SHADE ACCESSORIES

Telescopic Draw Rod (TDR) & Accubar 2.1 Pull Tab

TDR & Accubar2.1 Pull Tab: Mounting Details



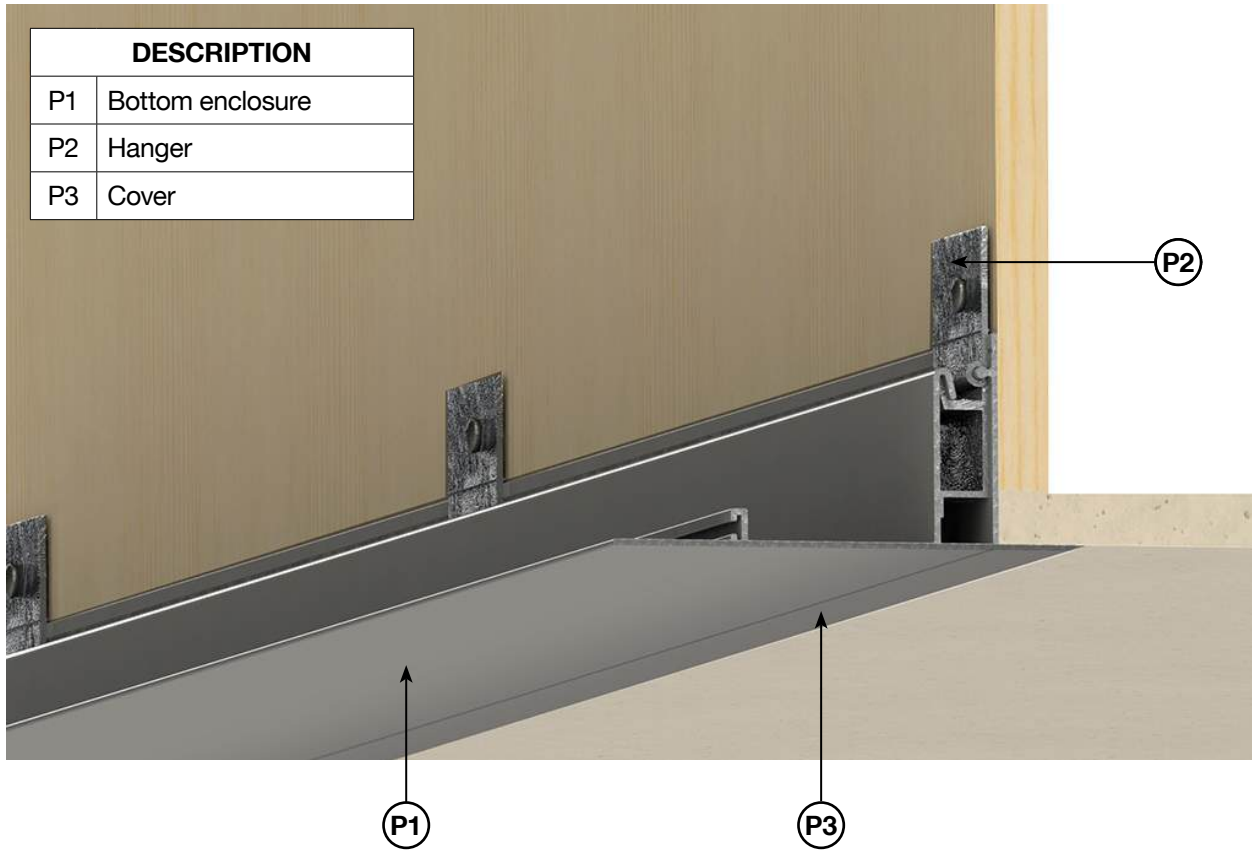
Recessed Pocket Enclosure





RECESSED POCKET ENCLOSURES

Hanger & Closure: Features & Benefits

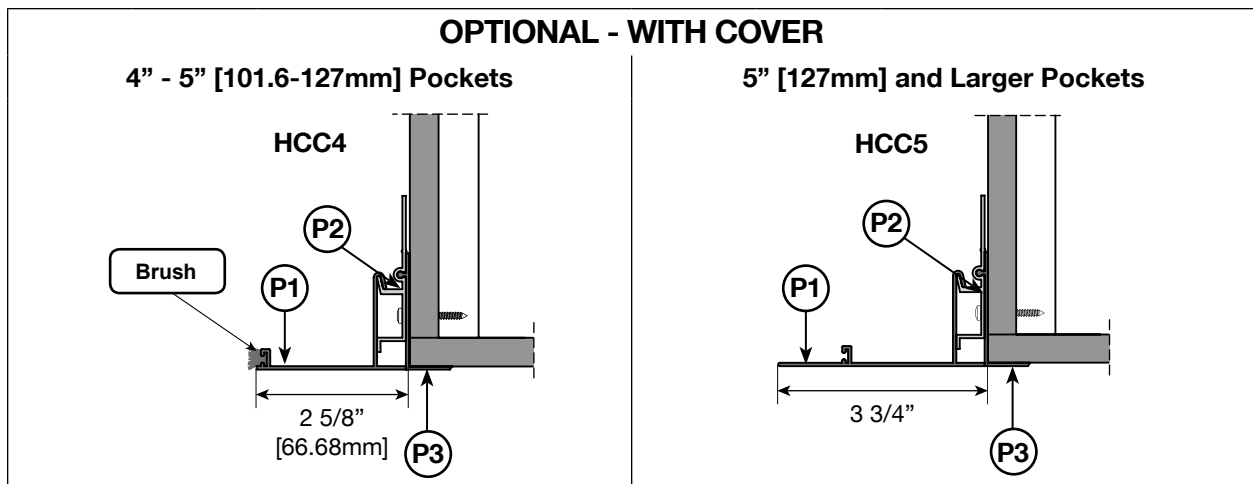
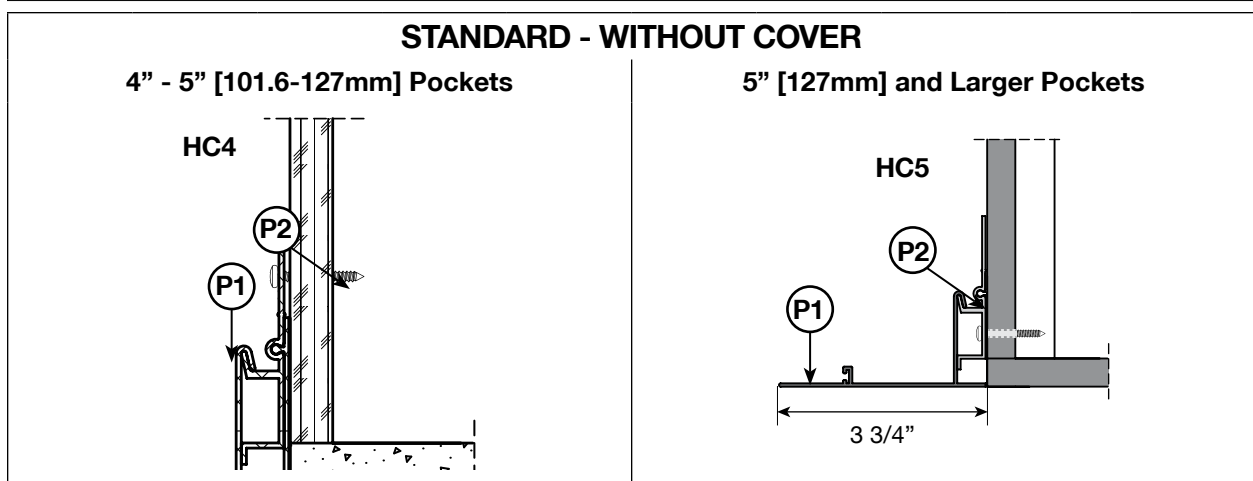


FEATURES	BENEFITS
Solid Design	All components are made of commercial grade aluminum
Removable Bottom Enclosure	Conceals roller and components for a seamless, integrated look and easy access for shade maintenance
Optional Cover	Cover provides a finished corner where the blocking meets the ceiling
System Compatibility	Compatible with manual and automated systems
Enclosure Leveling	Hangers installed along the pocket edge make it easier to level the bottom enclosure with an irregular pocket
Colour Options	White or anodized



RECESSED POCKET ENCLOSURES

Hanger & Closure: Cofigurations

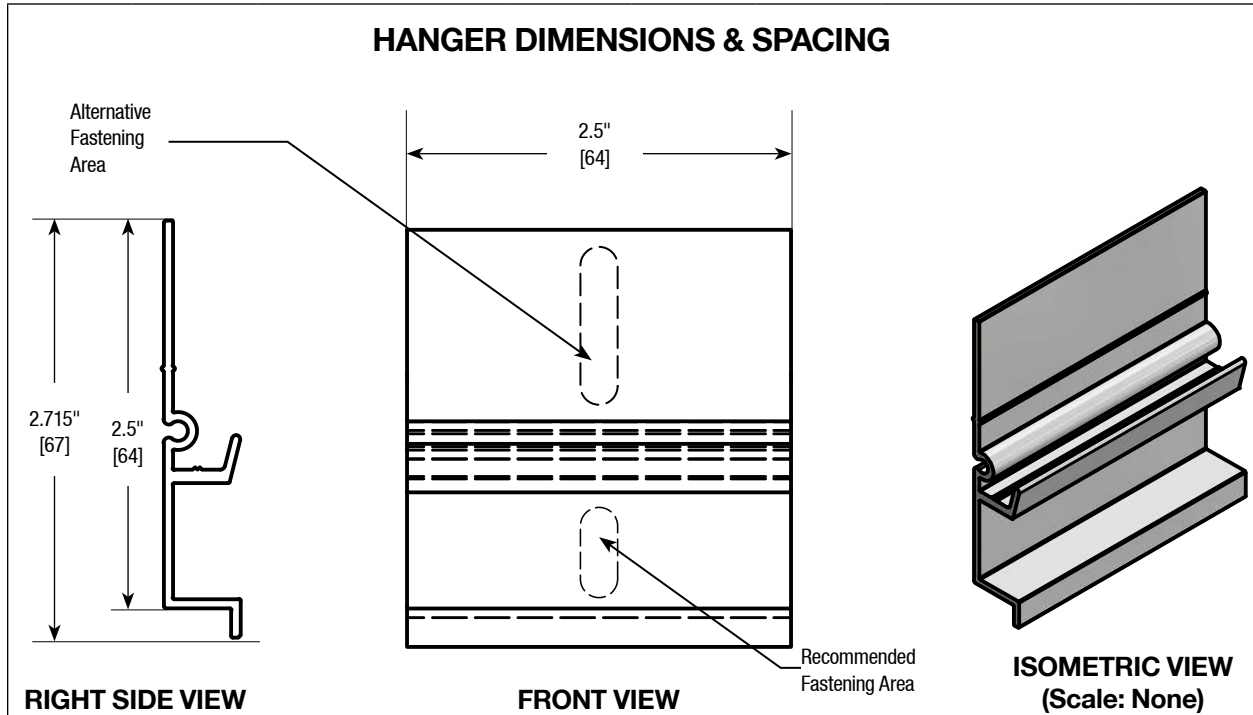


When bottom enclosure is cut down a brush strip will be inserted by Sun Glow to protect the fabric from the cut edge.

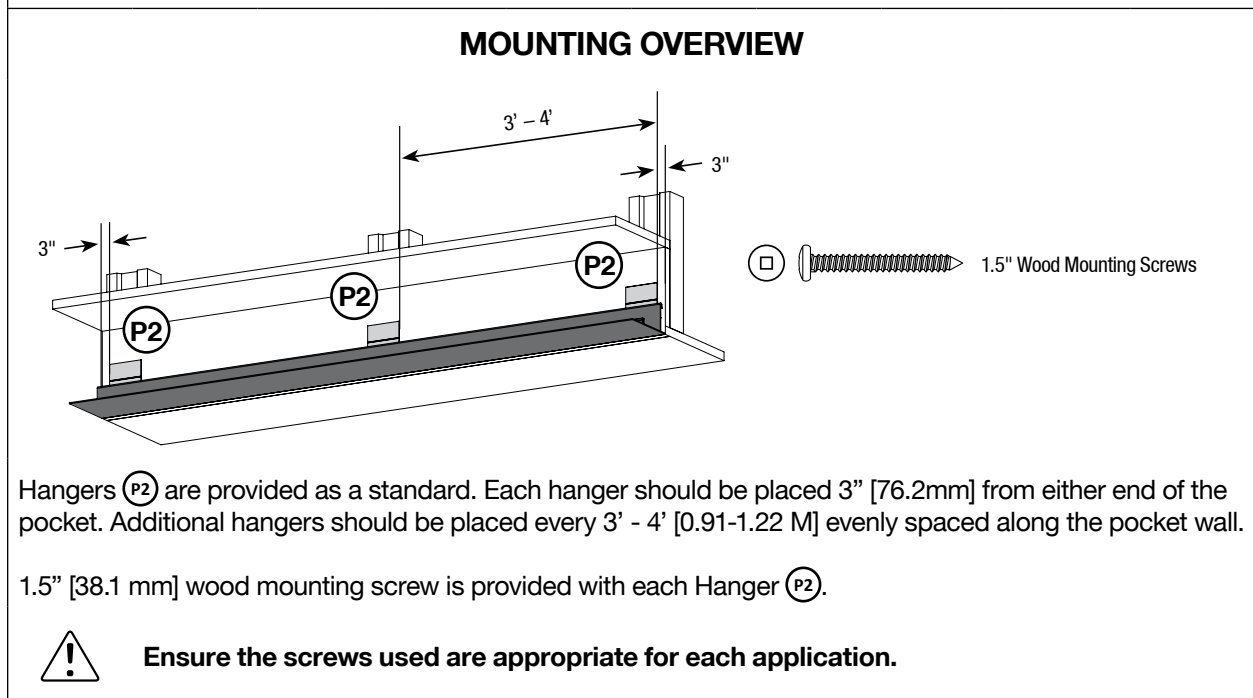


RECESSED POCKET ENCLOSURES

Hanger & Closure: Mounting Details



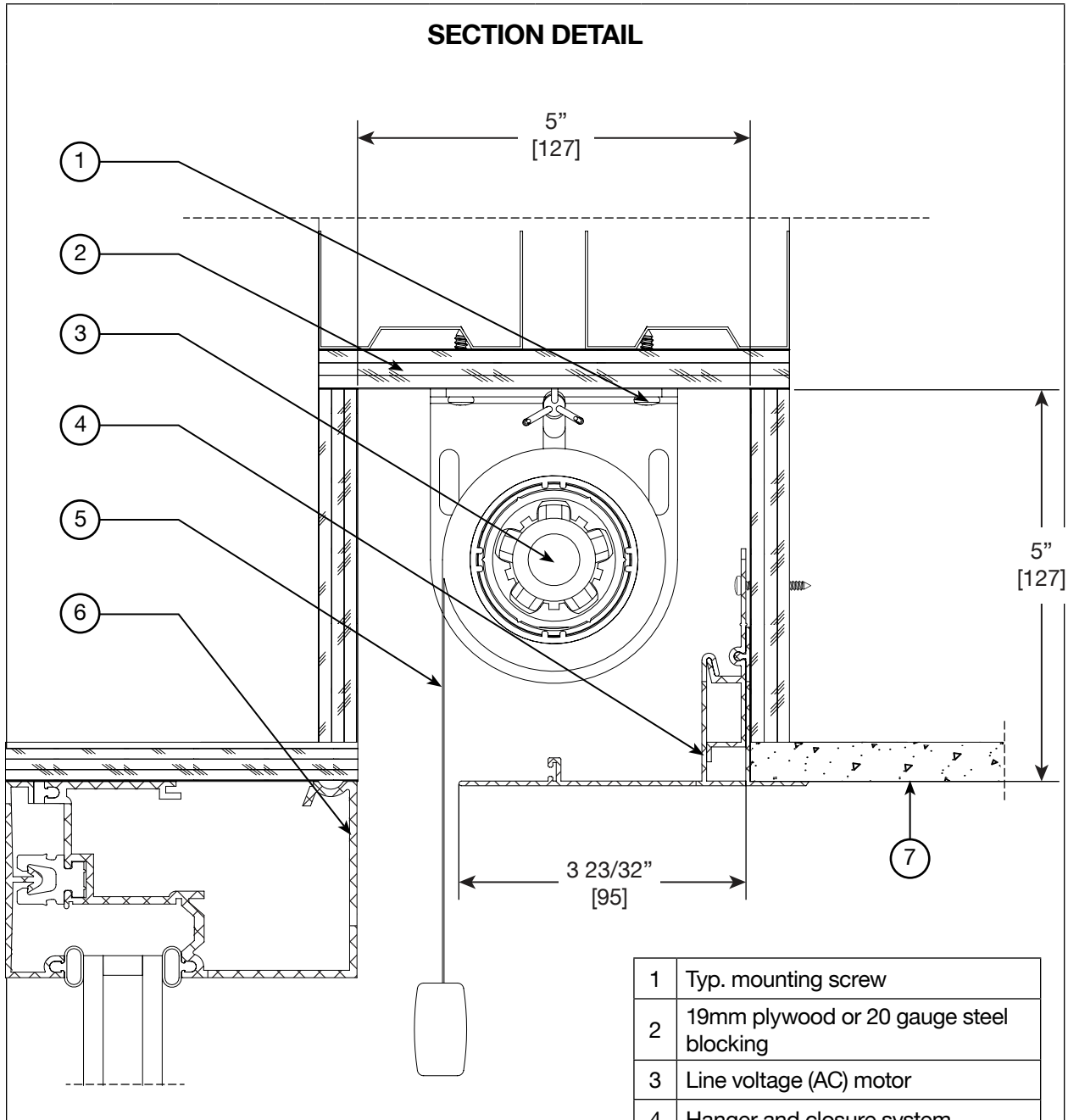
With cover: pre-drill cover before installation if required. Hangers are slid onto cover and do not need to be pre drilled (depending on site conditions).





RECESSED POCKET ENCLOSURES

Hanger & Closure: Ceiling Mount Details

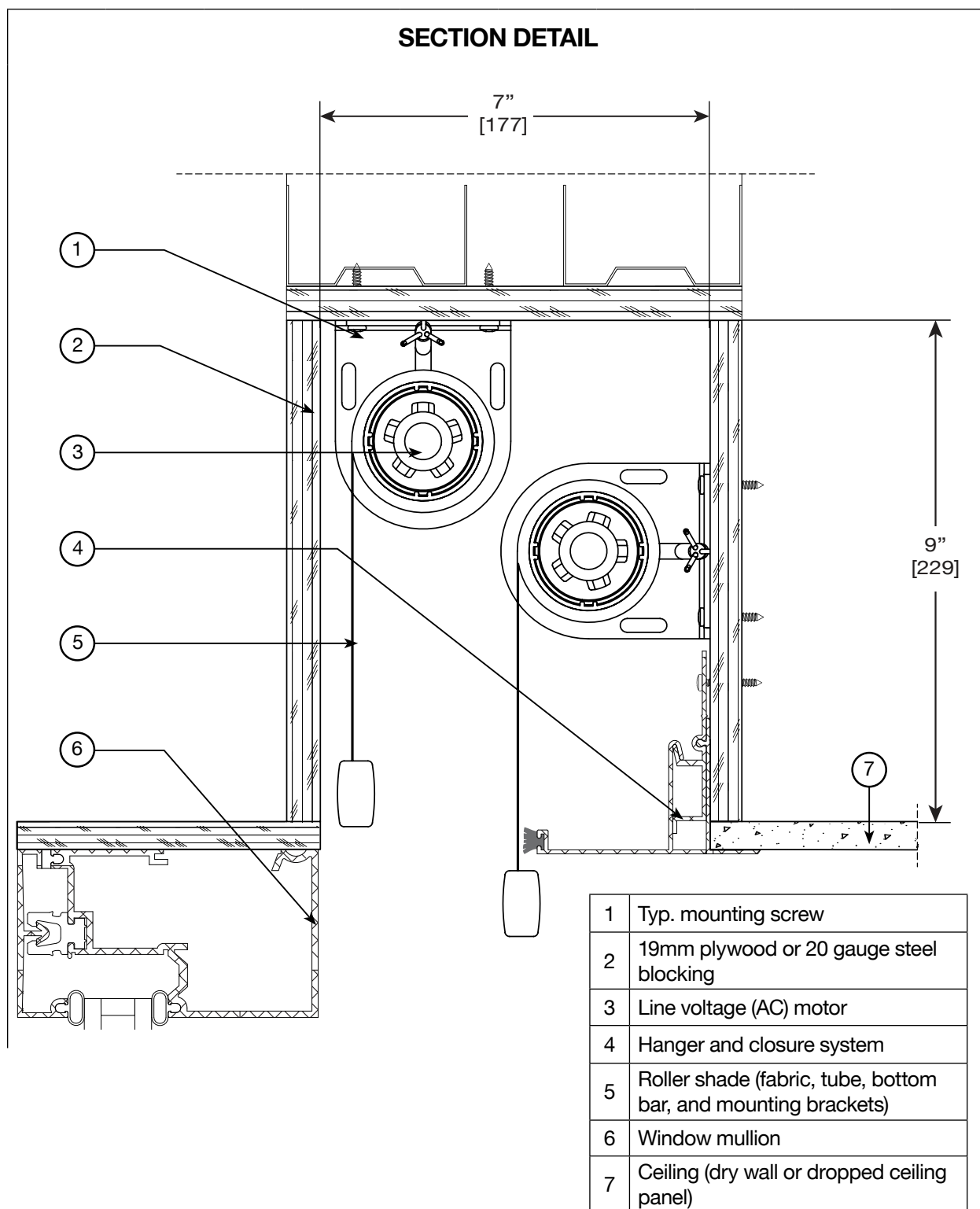


1	Typ. mounting screw
2	19mm plywood or 20 gauge steel blocking
3	Line voltage (AC) motor
4	Hanger and closure system
5	Roller shade (fabric, tube, bottom bar, and mounting brackets)
6	Window mullion
7	Ceiling (dry wall or dropped ceiling panel)



RECESSED POCKET ENCLOSURES

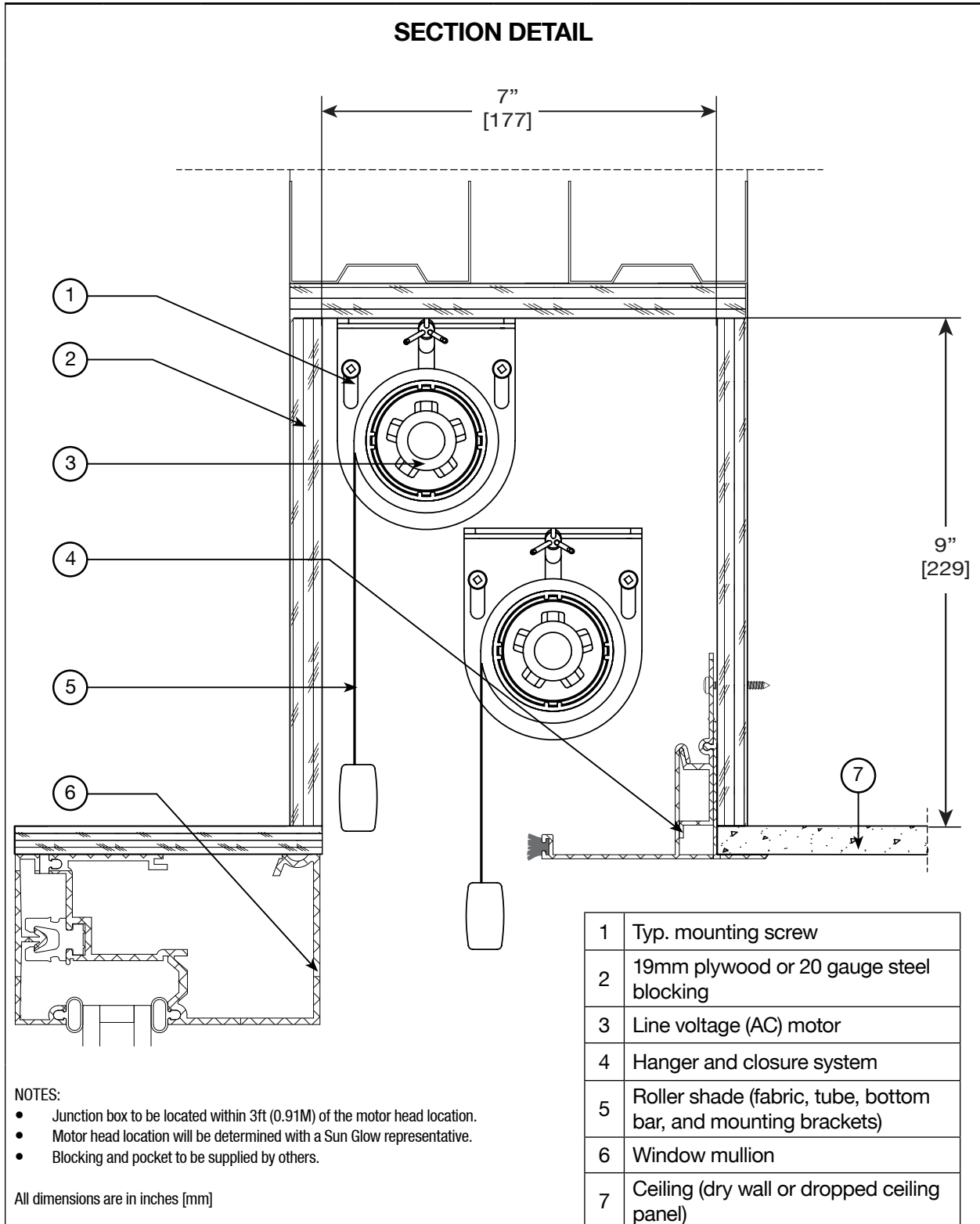
Hanger & Closure: Dual Ceiling & Wall Mount Details





RECESSED POCKET ENCLOSURES

Hanger & Closure: Dual Lateral Mount Details





RECESSED POCKET ENCLOSURES

Product Information: L-Channel Mounting Details

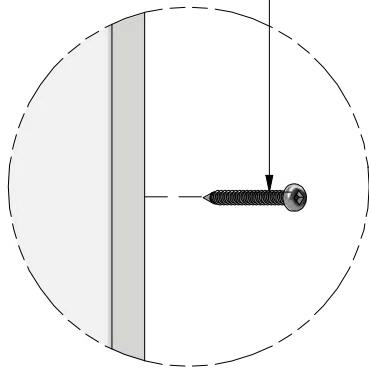
All Dimensions Are In Inches [mm]

SPACE BETWEEN L CHANNEL AND THE VALANCE

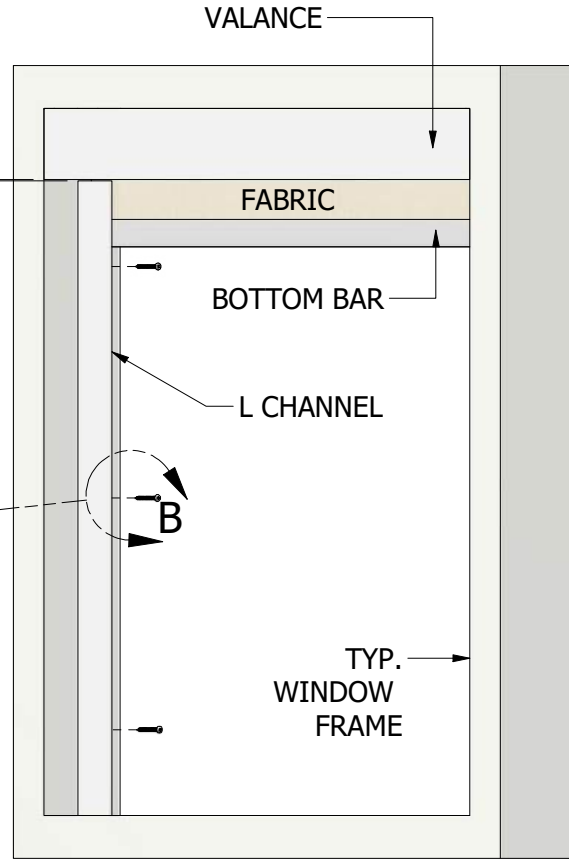
$$\frac{1}{16} \pm \frac{1}{32}$$

$$[2 \pm .8]$$

TYP.
#8x1.5
PAN SOCKET
TAPPING SCREW

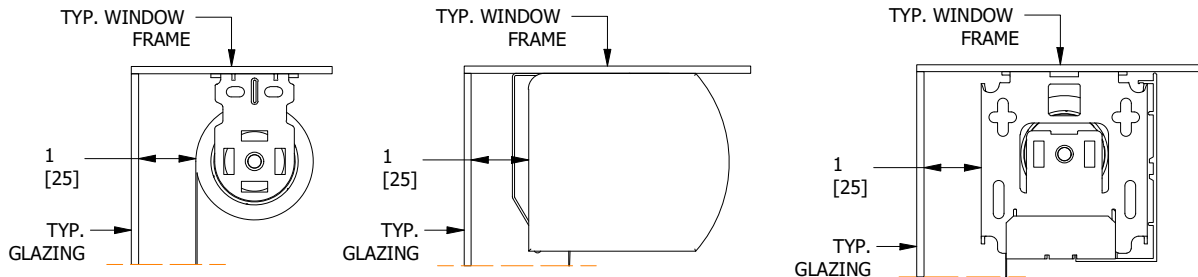


DETAIL B
SCALE 1 / 2



NOTE:

- L CHANNEL IN FRONT OF THE FABRIC SHOWN ABOVE. TO SEE L CHANNEL BEHIND THE FABRIC REFER TO ALTERNATIVE CONFIGURATIONS CUT SHEET.
- IF MOUNTING THE L CHANNEL BEHIND THE FABRIC A 1" [25.4MM] CLEARANCE IS REQUIRED BETWEEN THE SHADE SYSTEM AND GLAZING, SEE BELOW.





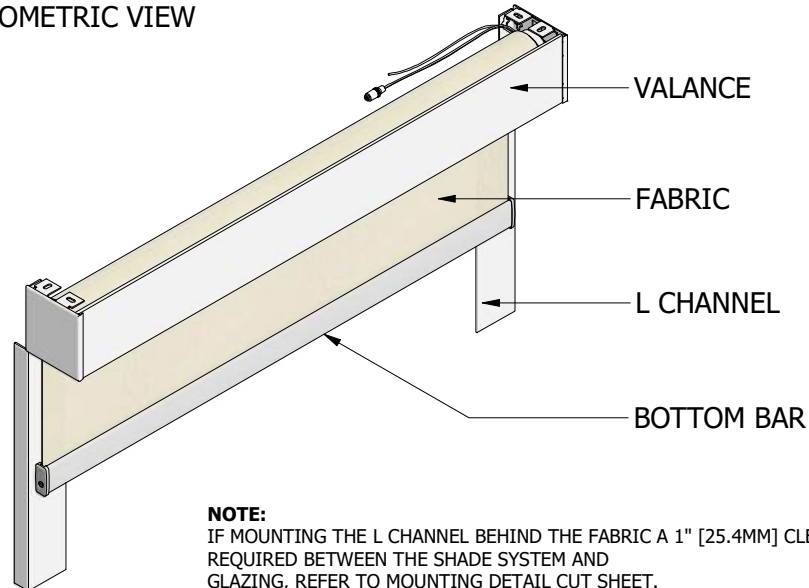
RECESSED POCKET ENCLOSURES

Product Information: L-Channel Configurations

All Dimensions Are In Inches [mm]

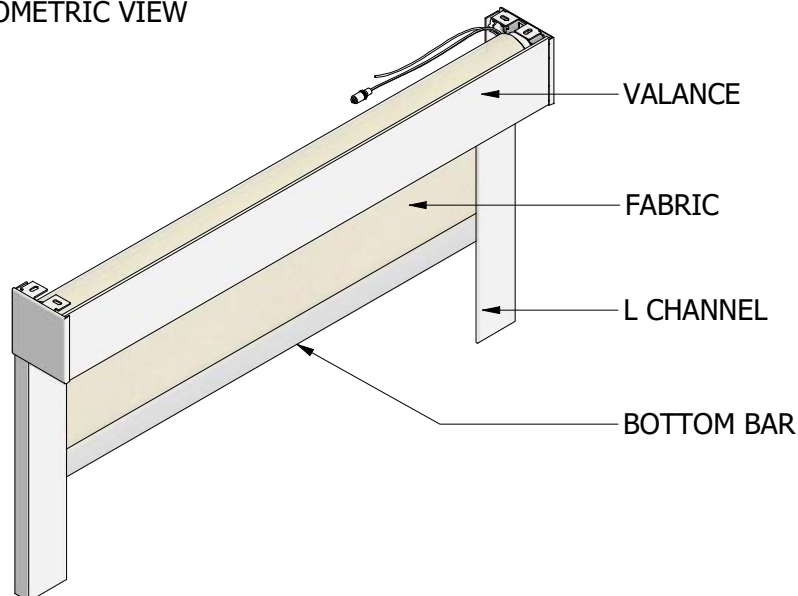
L CHANNEL BEHIND THE BOTTOM BAR AND FABRIC

ISOMETRIC VIEW



L CHANNEL IN FRONT OF THE BOTTOM BAR AND FABRIC

ISOMETRIC VIEW

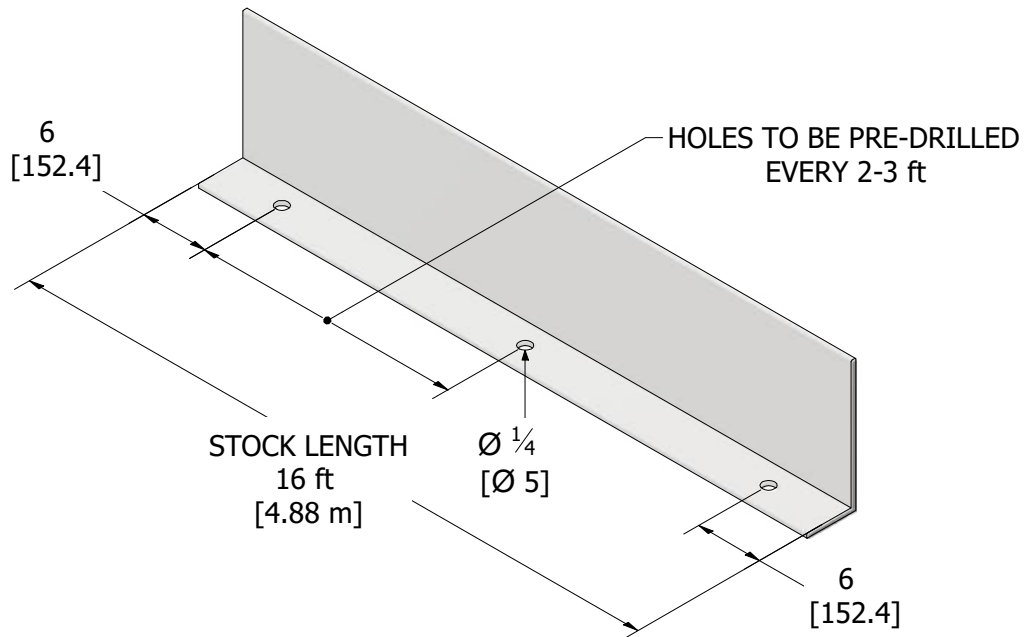
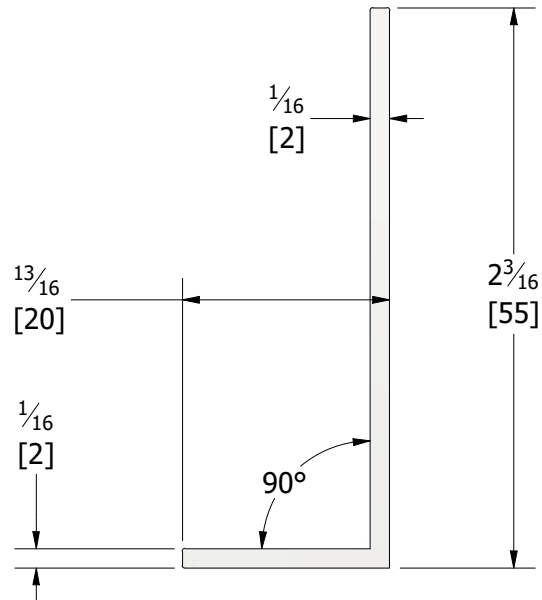




RECESSED POCKET ENCLOSURES

Product Information: L-Channel Measurements and Sizes

All Dimensions Are In Inches [mm]

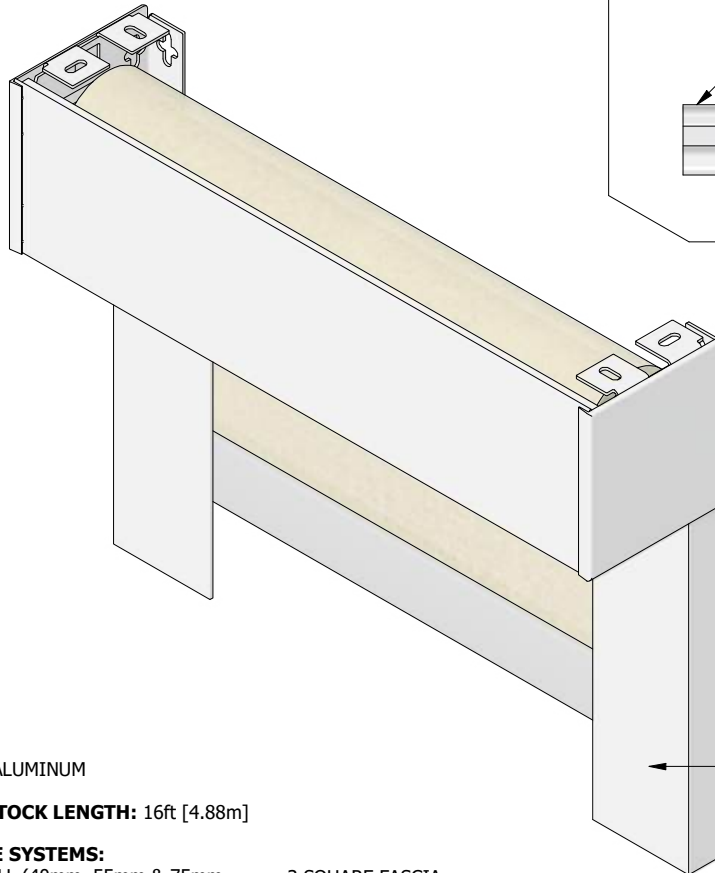




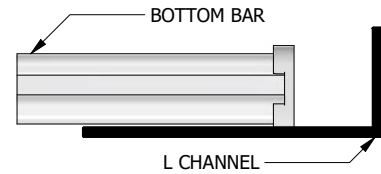
RECESSED POCKET ENCLOSURES

Product Information: L-Channel Features and Benefits

All Dimensions Are In Inches [mm]



BOTTOM BAR INSIDE OF L CHANNEL



MATERIAL: ALUMINUM

MAXIMUM STOCK LENGTH: 16ft [4.88m]

COMPATIBLE SYSTEMS:

- OPEN ROLL (40mm, 55mm & 75mm SLIM LINE BRACKETS)
- COMPACT CURVED CASSETTE
- CURVED CASSETTE
- 3 SQUARE FASCIA
- 4 SQUARE FASCIA
- DUAL OPEN ROLL
- DUAL SQUARE FASCIA

NOTE: 3" SQUARE FASCIA SYSTEM SHOWN AS AN EXAMPLE.

FEATURES	BENEFITS
Glare Reduction	Minimizes the light penetration that can be seen through the Roller Shade light gaps on either side.
Bottom Bar Options	Works with a wide variety of Roller Shade bottom bars.
Different Mounting Orientations	Can be laterally mounted in the front or behind the bottom bar and fabric.
Bottom Channel (Optional)	Reduces the Light Penetration at the bottom window ledge.
System Flexibility	Can be used in conjunction with Chain Operated or Motorized Roller Shade Systems.

Dual Shades





DUAL SHADES

Features & Benefits

All Dimensions Are In Inches [mm]

LIGHT GAPS (APPROXIMATE)

Idle End: $\frac{5}{8} \pm \frac{1}{8}$ [16 ± 3]

Drive End: $\frac{7}{8} \pm \frac{1}{8}$ [22 ± 3]

END CAP THICKNESS: $\frac{1}{8} \pm \frac{1}{16}$ [3 ± 1.6]

MINIMUM SHADE WIDTH = 19 [482.6]

TYP. MAX ROLL UP DIAMETER (RUD)

- FRONT ROLLER SHADE = $2 \frac{3}{4}$ [70]
- BACK ROLLER SHADE = $2 \frac{3}{4}$ [70]

*** SEE CONFIGURATIONS FOR MORE DETAILS ***

FASCIA AND COVER COLOURS:

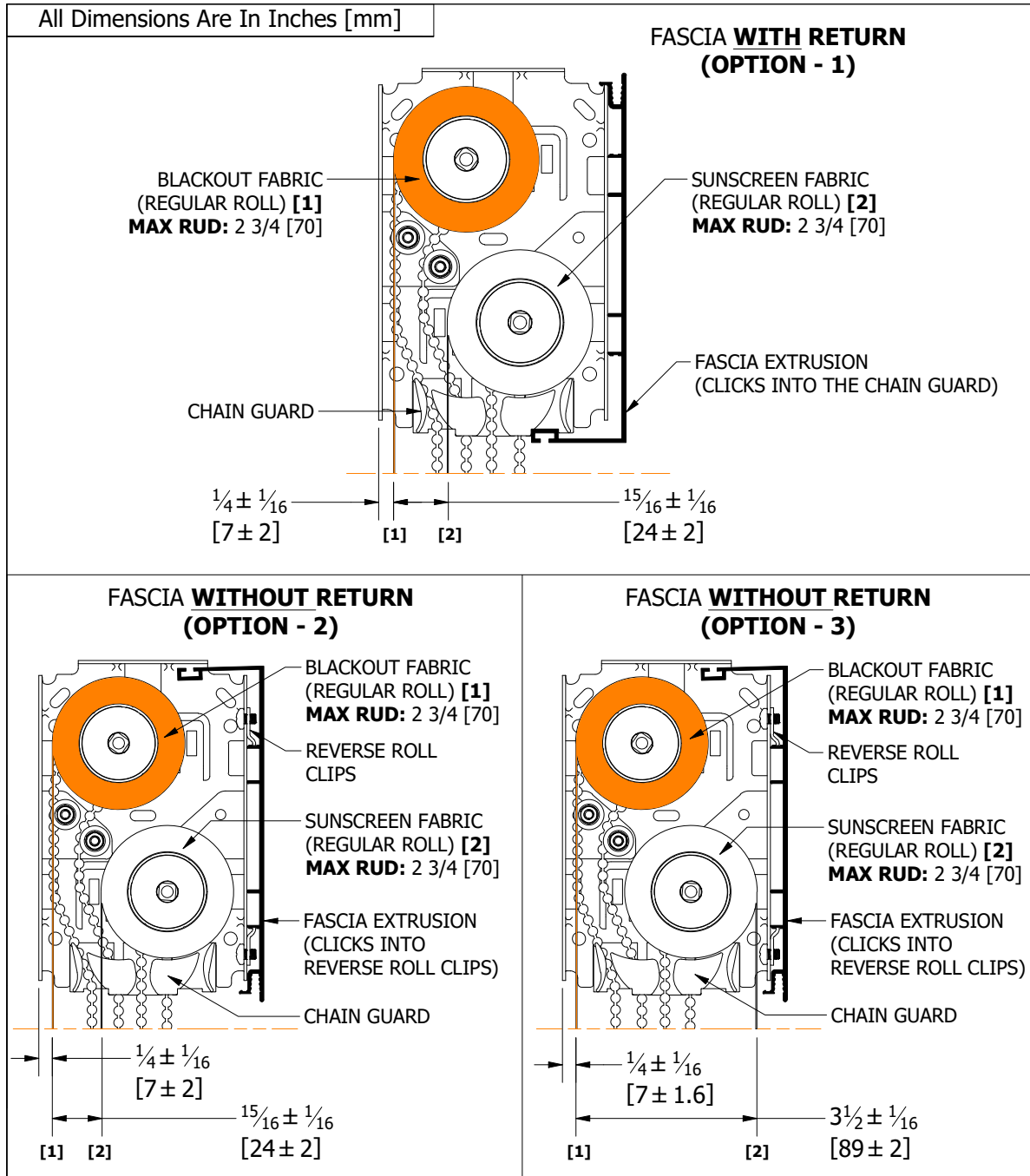
WHITE GREY BLACK

FEATURES	BENEFITS
Heavy Duty Mounting Brackets	Can be Ceiling, Wall or Laterally mounted.
Fabric Wrap Option	Front profile can be wrapped with fabric to match the roller shade fabric.
Universal Bracket Covers	Provides a finished look when outside mounting the fascia (colours match fascia).
Clip On Fascia Design	Fascia securely locks onto each bracket/guard and can be removed to allow access to the shade. Also can be mounted reverse roll.
Chain Guard Design	Chain Guard allows chain to hang away from the fascia and maintains a smooth feel during operation.
Smooth and Quiet Operation	Clutches are made from UV stabilised, glass-filled nylon and contain 4 small square profiled springs. The result is a strong clutch that operates smoothly with minimal effort.
SB Lift Assist Mechanism (SB LAM) Compatible	SB LAM reduces the pull force required to lift heavy shades when attached to the clutch.
Zero Gravity Compatible	Shade is raised and lowered manually to the desired position with minimal effort. (No clutch and chain required).
Multi in 1 (Separate Control) Options	SB Multi in 1: Allows a group of shades to be driven individually under a single cassette.
Automation Options	Allows for motorized controls with wireless remotes, switches or other smart devices.



DUAL SHADES

Configurations



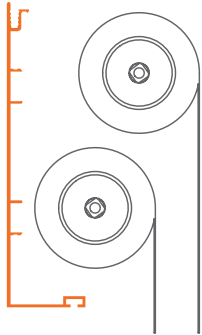


DUAL SHADES

Features & Benefits

Roll Configurations

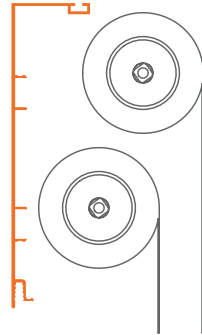
Standard Fascia
with return



A

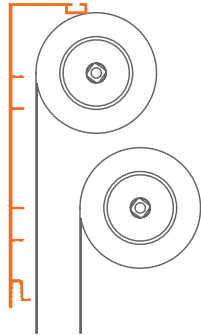
front: regular roll
rear: regular roll

Inverted Fascia
no return



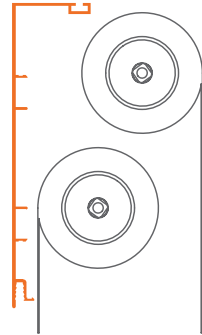
B

front: regular roll
rear: regular roll



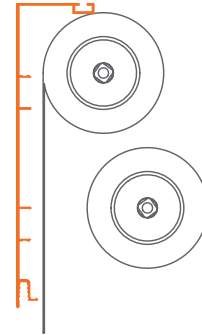
C

front: reverse roll
rear: reverse roll



D

front: reverse roll
rear: regular roll

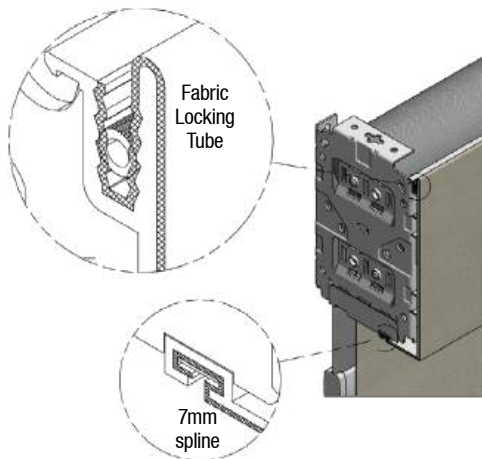


E

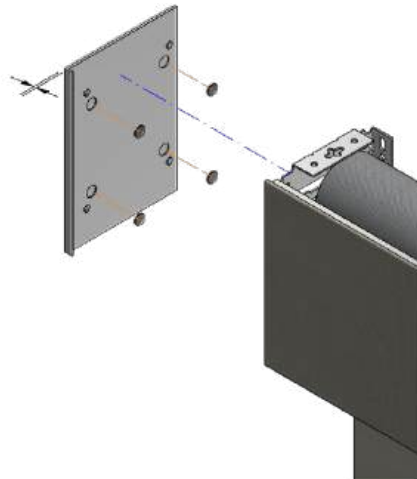
front: reverse roll
rear: regular roll

Other Details

Fabric Wrap



Magnetic End Cover



Atlas 2.0 Bottom Up Shades

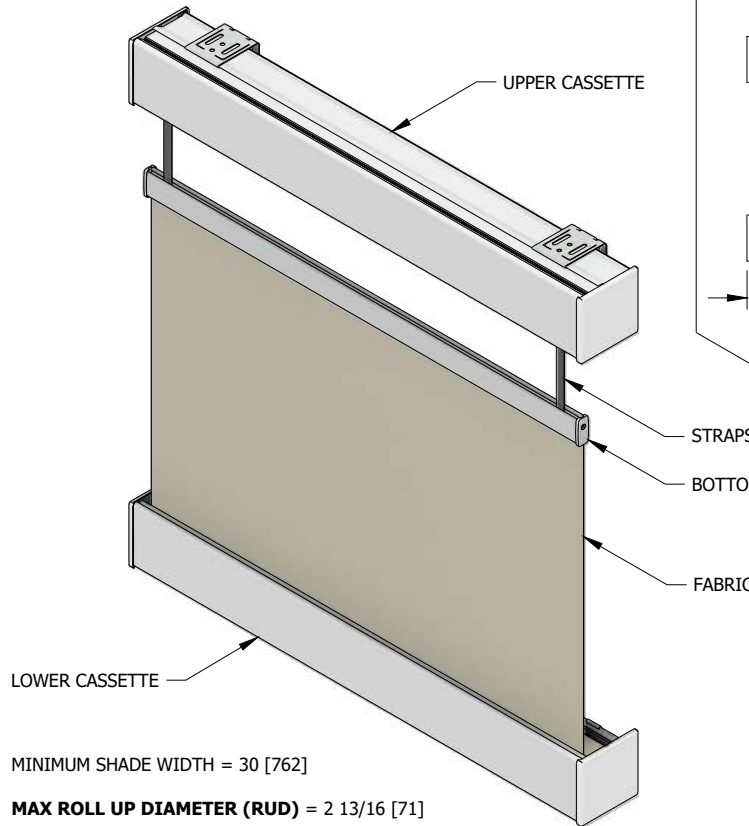




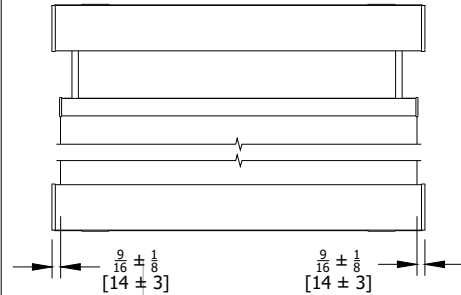
Atlas 2.0 Bottom Up Shades

Features & Benefits

All Dimensions Are In Inches [mm]



LIGHT GAPS (APPROXIMATE)



UPPER / LOWER CASSETTE AND BOTTOM BAR COLOURS:



FEATURES	BENEFITS
Flexible Brackets	Snap on zinc plated mounting brackets can be ceiling or wall mounted.
High Tension Straps (Clear)	Provide an even look with a long life expectancy while under tension. Clear Straps are non-intrusive if left exposed. Straps are UV resistant for lasting performance.
Colour Matching Options	Provides a finished look for outside wall mounted applications (cassette colours match the bottom bar colours).
Fully Assembled System	Completely assembled unit conceals the roller shade from the interior and exterior space. Fabric drops from the front of the roll in a reverse roll fashion.
Smooth Under Tension Operation	The Upper Cassette is motorized and allows the user to adjust the shade position. The Lower Cassette has balanced springs to help prevent unwanted stress on other shade components while keeping the fabric taut. Combined both increases the longevity of the entire shade system.
Automation Options	Allows for motorized controls with wireless remotes, switches or other smart devices. Compatible with SG Stealth motors and Somfy motors.

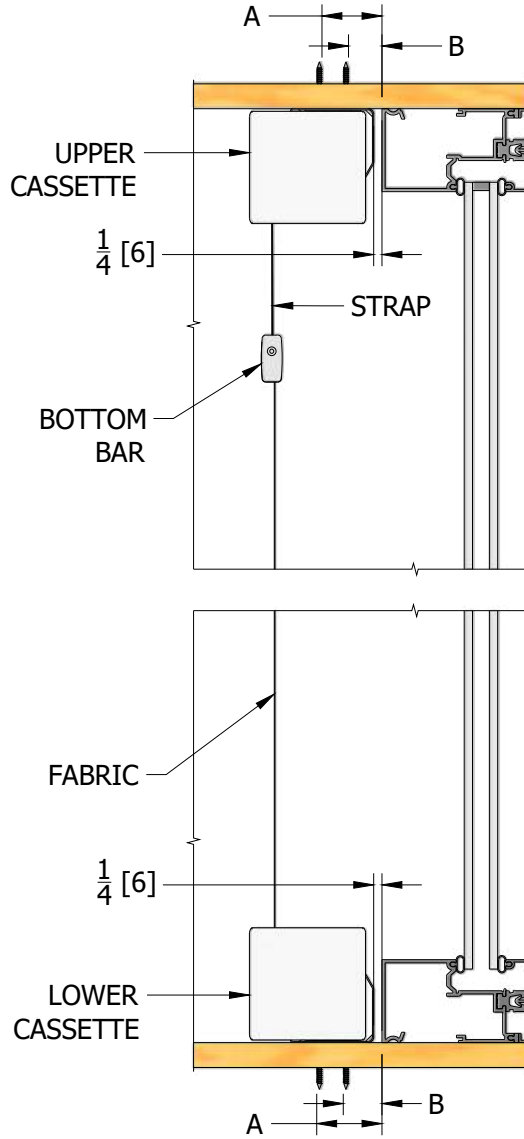


Atlas 2.0 Bottom Up Shades

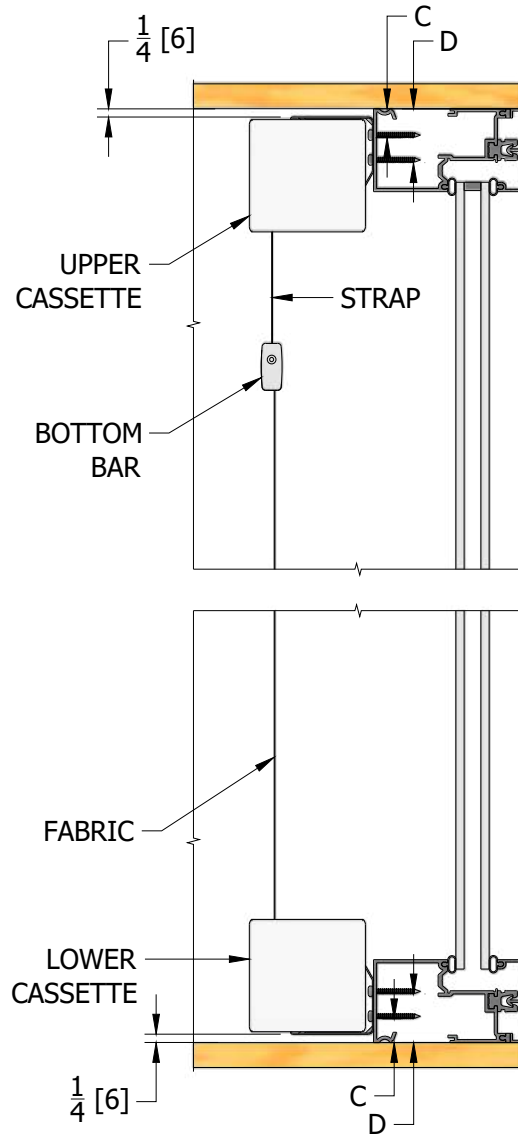
Mounting Details

All Dimensions Are In Inches [mm]

CEILING MOUNT



WALL MOUNT



A = MEASUREMENT FROM WALL FACE TO FURTHEST SCREW
 B = MEASUREMENT FROM WALL FACE TO NEAREST SCREW
 C = MEASUREMENT FROM CEILING FACE TO NEAREST SCREW
 D = MEASUREMENT FROM CEILING FACE TO FURTHEST SCREW

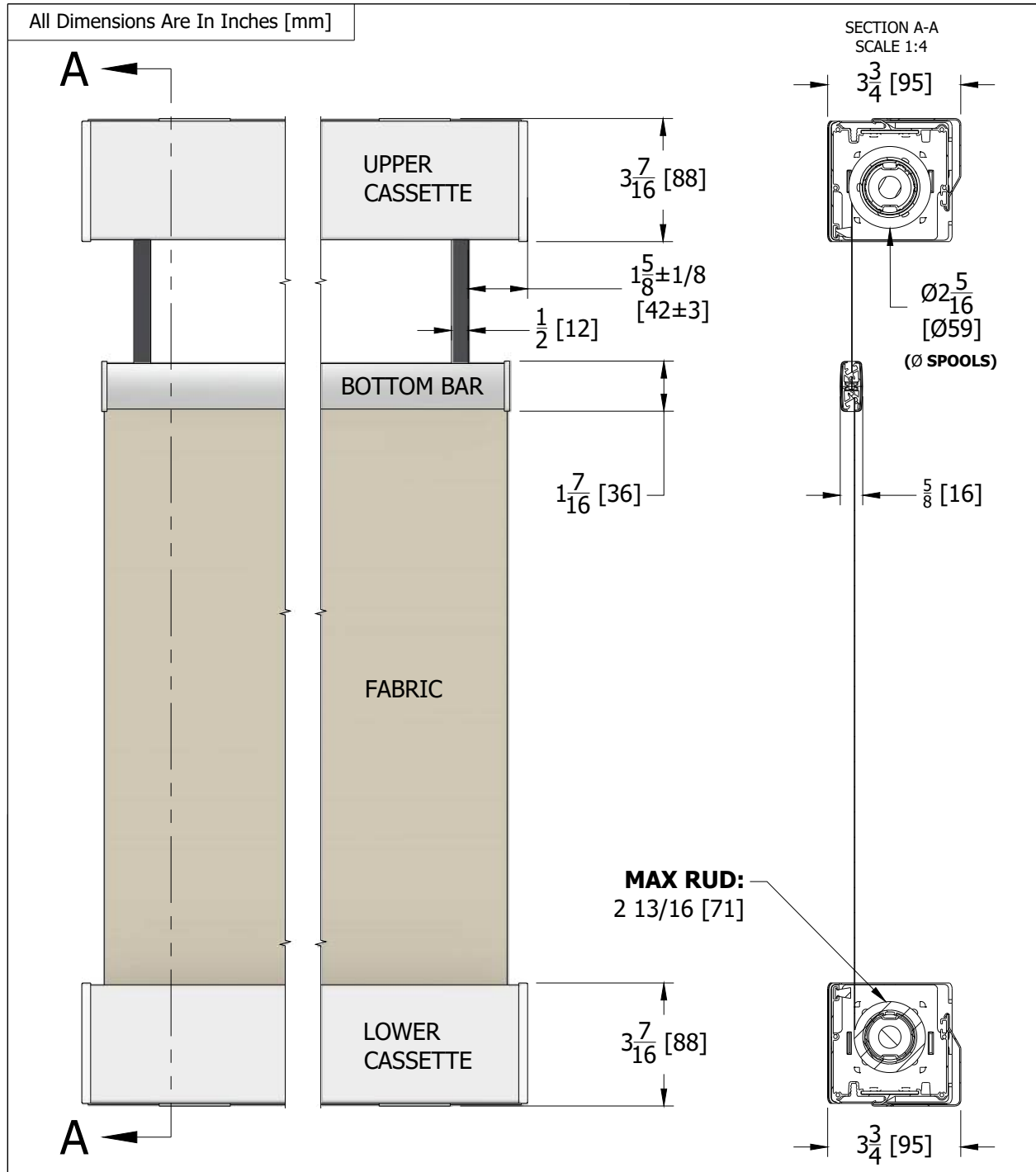
1/4 [6] MOUNTING BRACKETS CLEARANCE CONSIDERED				
SYSTEM	A	B	C	D
ATLAS 2.0	1 ⁷ / ₈ [48]	1 ¹ / ₈ [28]	¹³ / ₁₆ [20]	1 ⁹ / ₁₆ [39]



Atlas 2.0 Bottom Up Shades

Measurement & Sizes

All Dimensions Are In Inches [mm]



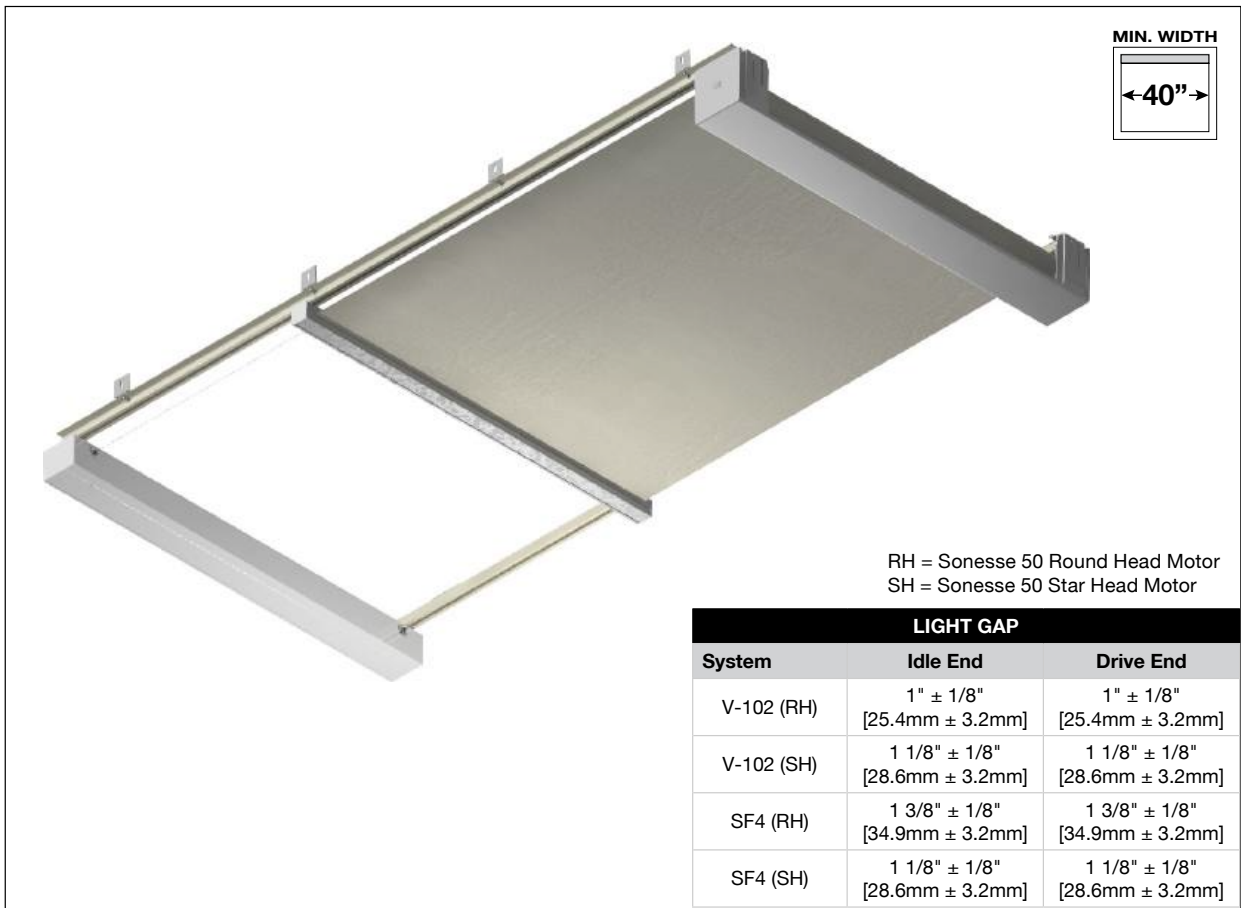
Nimbus Skylight





Nimbus Skylight Shades

Features & Benefits

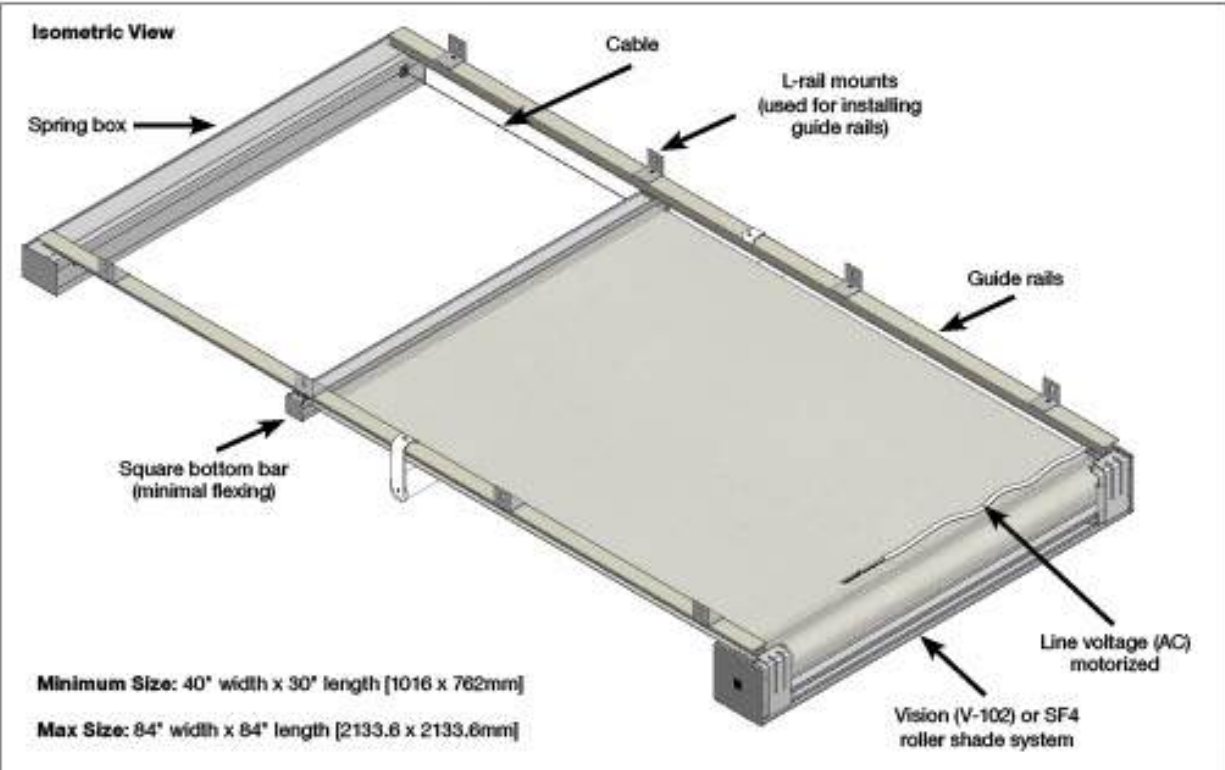


FEATURES	BENEFITS
Adaptable With a Choice of Cassettes	Can be easily configured with V-102 Vision or SF4 fascia cassette systems.
Various Colours Available	Refer to colour chart on the next page.
Even Tension Springs	Keeps shade under even tension on both sides of the bottom bar using Vulcan springs. This reduces fabric sagging. If required, optional support bars can be used to hold fabric up.
High Tension Cables	Provides an even look with a long life expectancy while under tension. Exposed white cables are non-intrusive.
Flexible Sizing	Nimbus System can be made to a minimum size of 40" x 30" [1016mm x 762mm] and up to a maximum size of 84" x 84" [2133.6mm X 2133.6mm].
Symmetrical Light Gaps	Offers greater solar control and a balanced appearance. Refer to light gap chart.
Guide Rails and Air Flow	Guide rails allow the bottom bar and fabric to sit close to the glazing during operation. During temperature changes, the guide rail allows air to escape around the system.
Line Voltage (AC) Motorized Design	Available as a "stand alone" system or can be integrated into a home/building automation system.



Nimbus Skylight Shades

Component Details



Available Colours

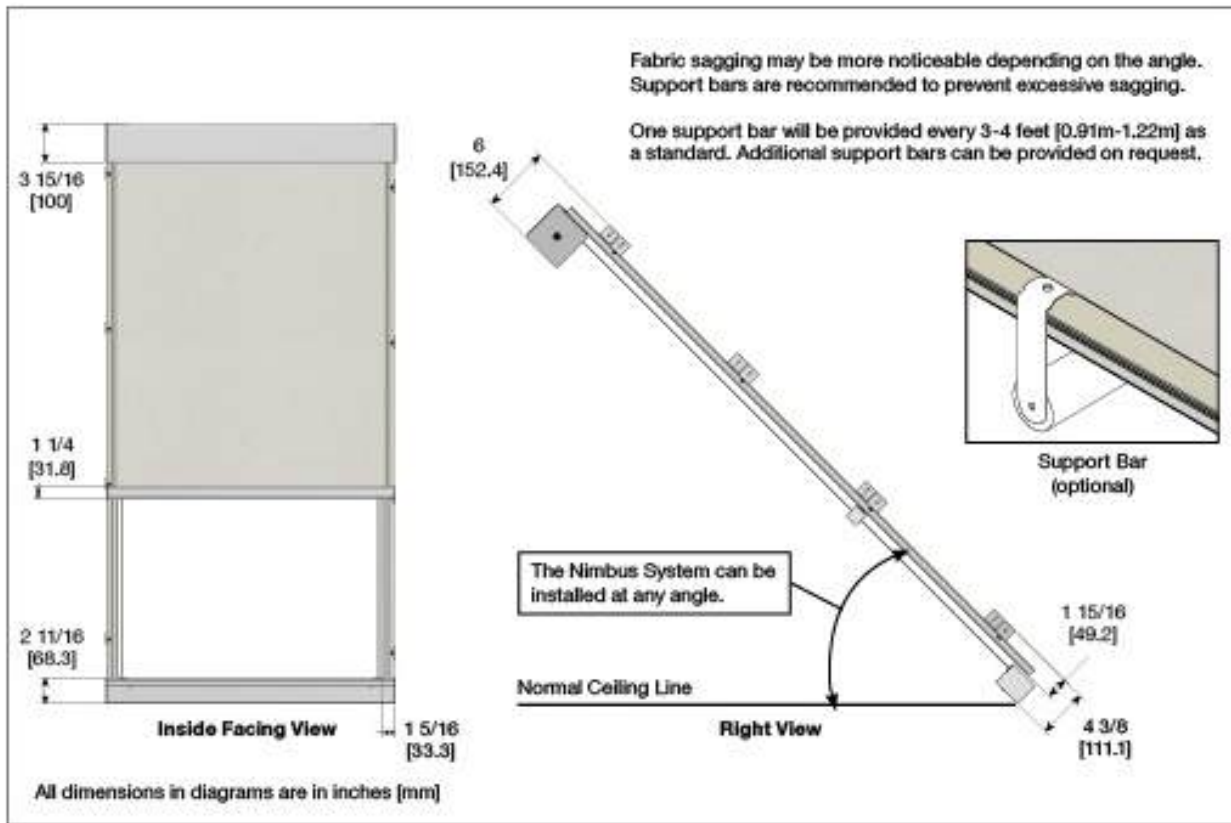
	White	Anodized/Grey
Spring Box	•	•
Square Bottom Bar		•
Guide Rails	•	
V-102 Cassette & End Caps	•	•
SF4 Fascia & End Caps	•	•

Note: Spring box and square bottom bar end caps only available in white.

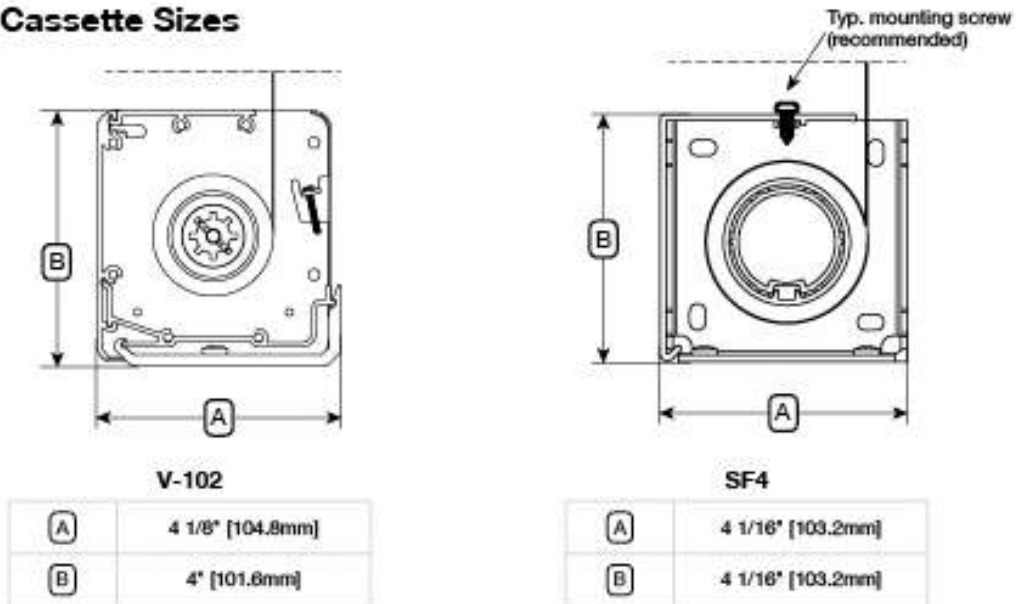


Nimbus Skylight Shades

Dimension Details



Bottom Cassette Sizes

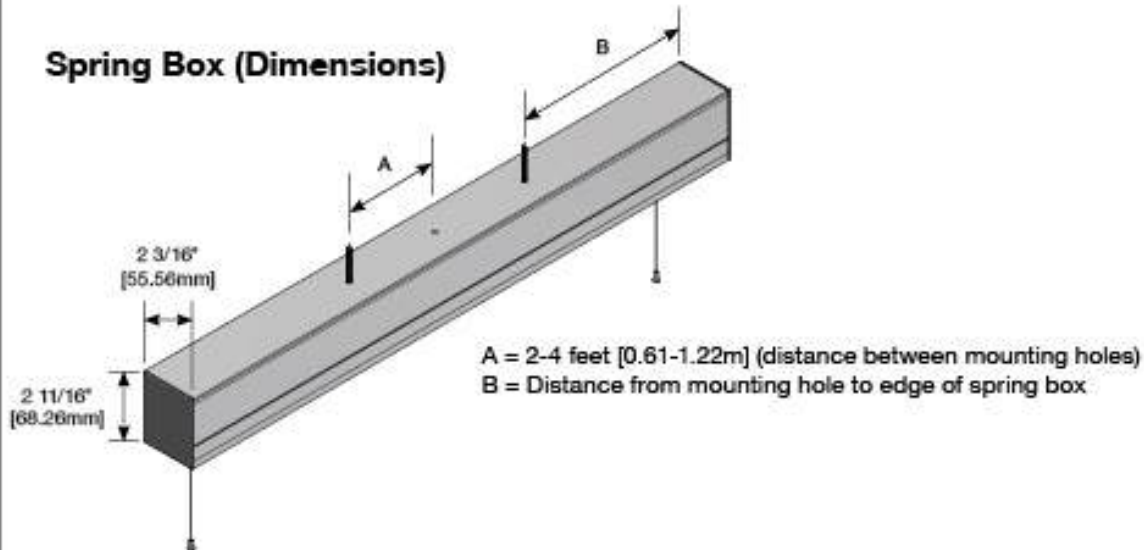




Nimbus Skylight Shades

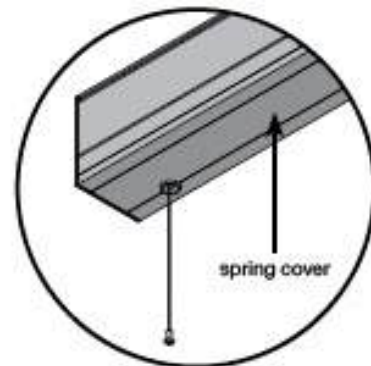
Tension Mechanism

Spring Box (Dimensions)

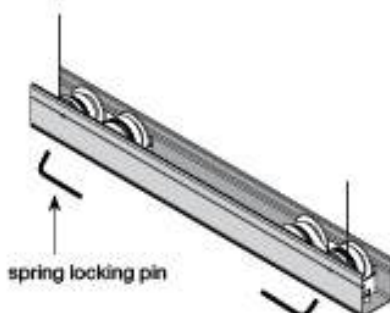


Spring Box

- The cable exit holes on the spring cover allow each cable to unwind effortlessly as the shade moves. It also makes the cover easy to remove if the product needs to be serviced.
- Each Nimbus Spring Box is provided under tension with the cable connectors pre-attached by Sun Glow to ensure the bottom bar can be adapted easily to the system.



Vulcan Spring Assembly



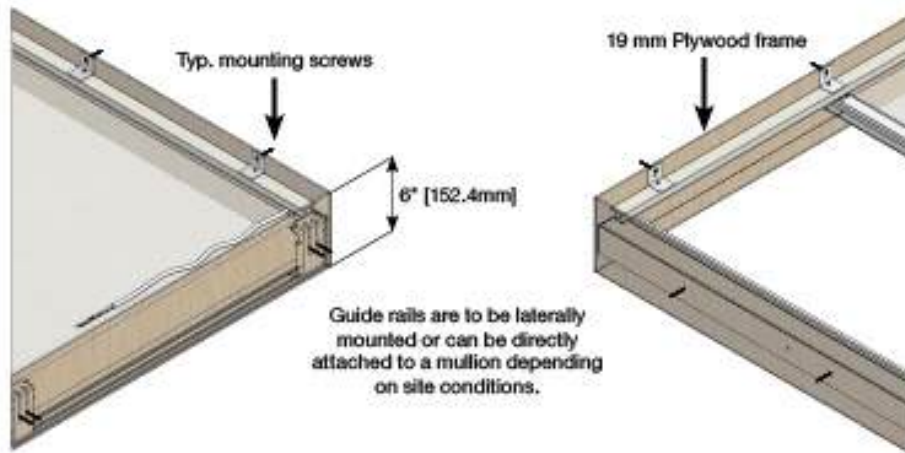
- The Vulcan springs on each side allow the shade to have an even pull force. The constant tension applied on both sides keep the bottom bar balanced and the fabric taut as the shade is operated.
- Each Vulcan spring is secured and concealed inside the spring box.
- Spring locking pins are used to hold the cables under tension during installation.
- Caps are included to cover spring locking pin holes after configuration.



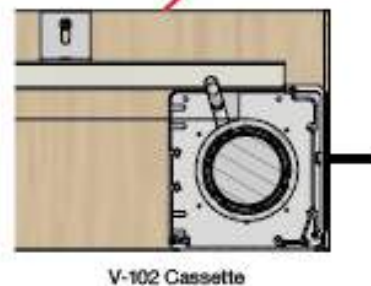
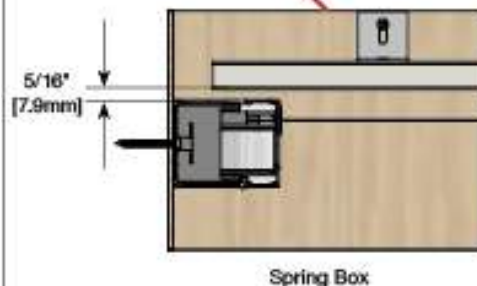
Nimbus Skylight Shades

Mounting Details

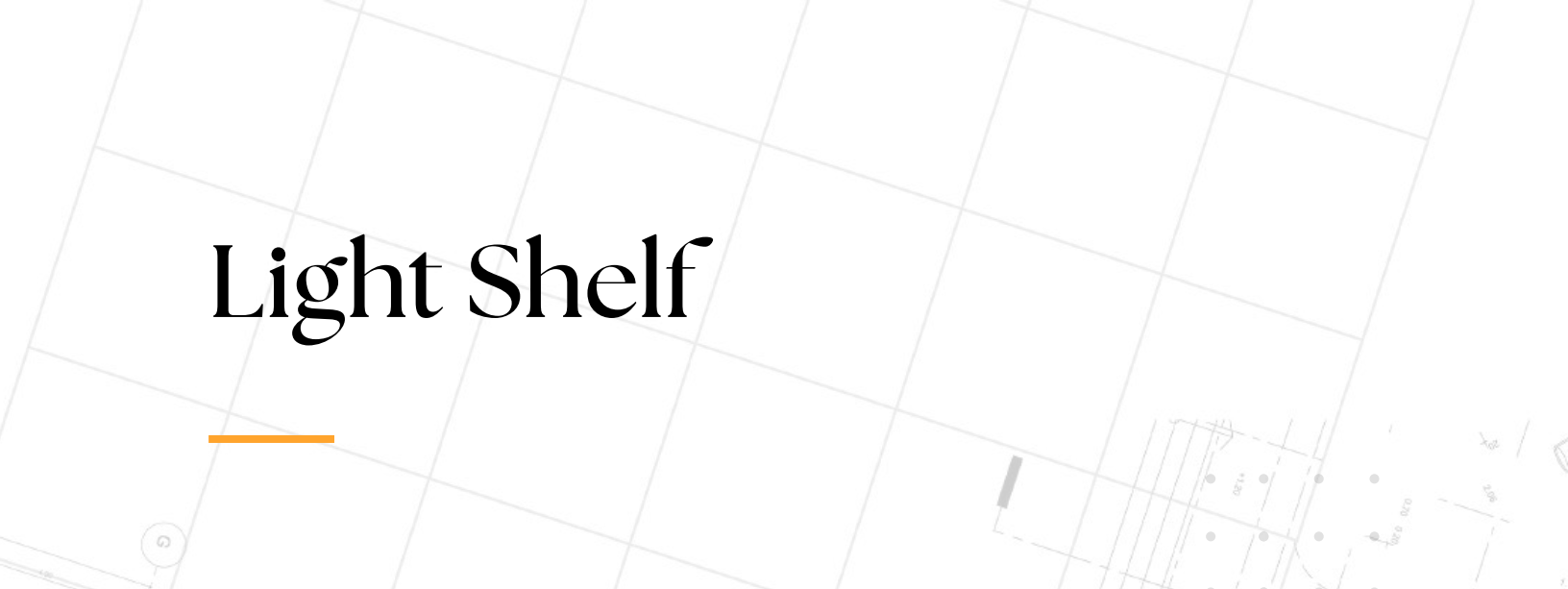
- Nimbus System must be installed parallel to the skylight window frame in order to function properly. As skylight openings are not always square, shimming may be required.
- Nimbus System should be mounted away from inner surface of the skylight glazing for proper air flow. Water leakage and condensation buildup will be a factor if the skylight window is not properly sealed.
- The spring box and roller shade system must be ceiling mounted inside the frame.
- A mounting screw may be used on the SF4 system to hold the valance in place.



At least 6" [152.4mm] of mounting depth is required to properly install the Nimbus Shade System.



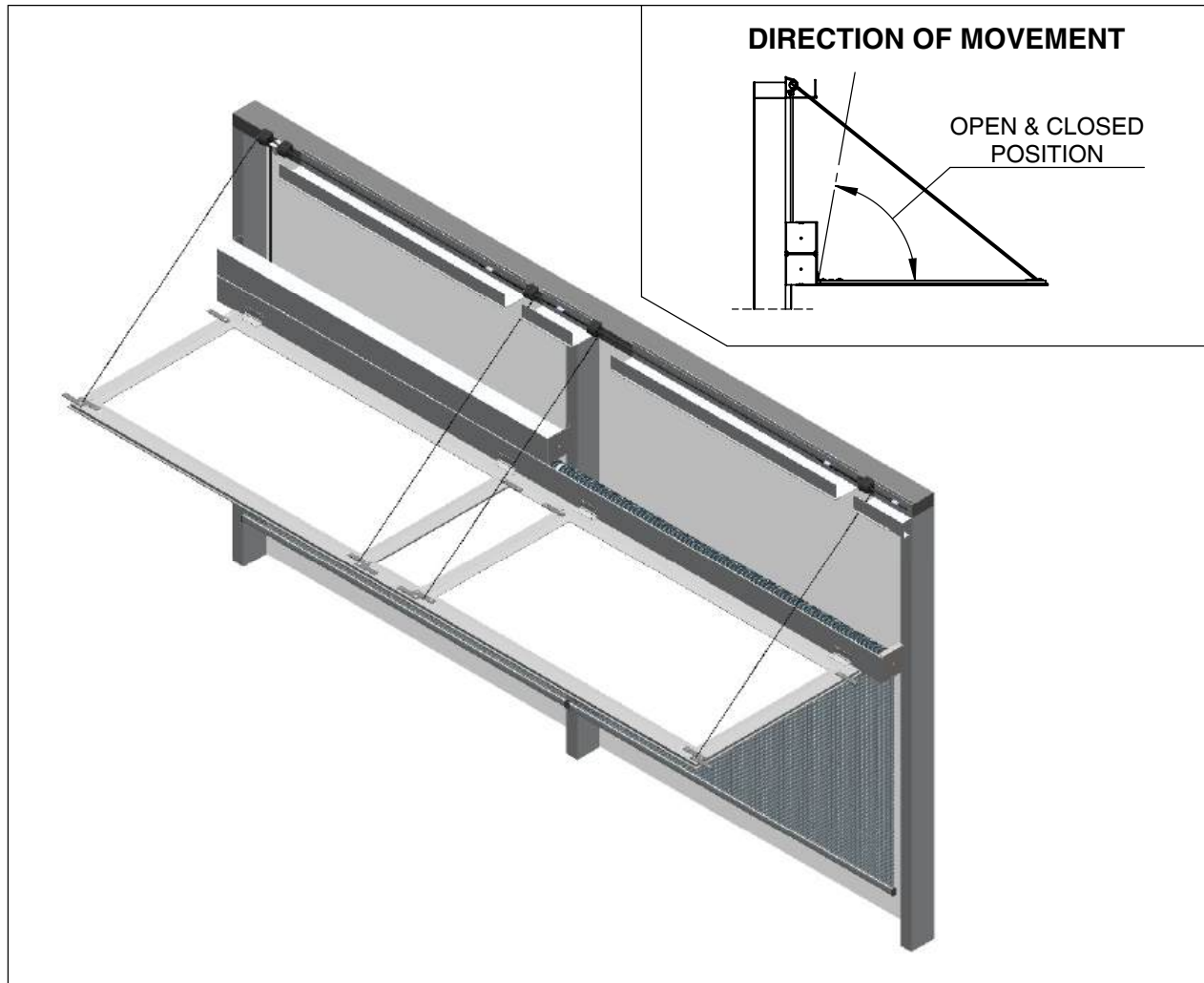
Light Shelf





Light Shelf Automated Light Management System

Features & Benefits

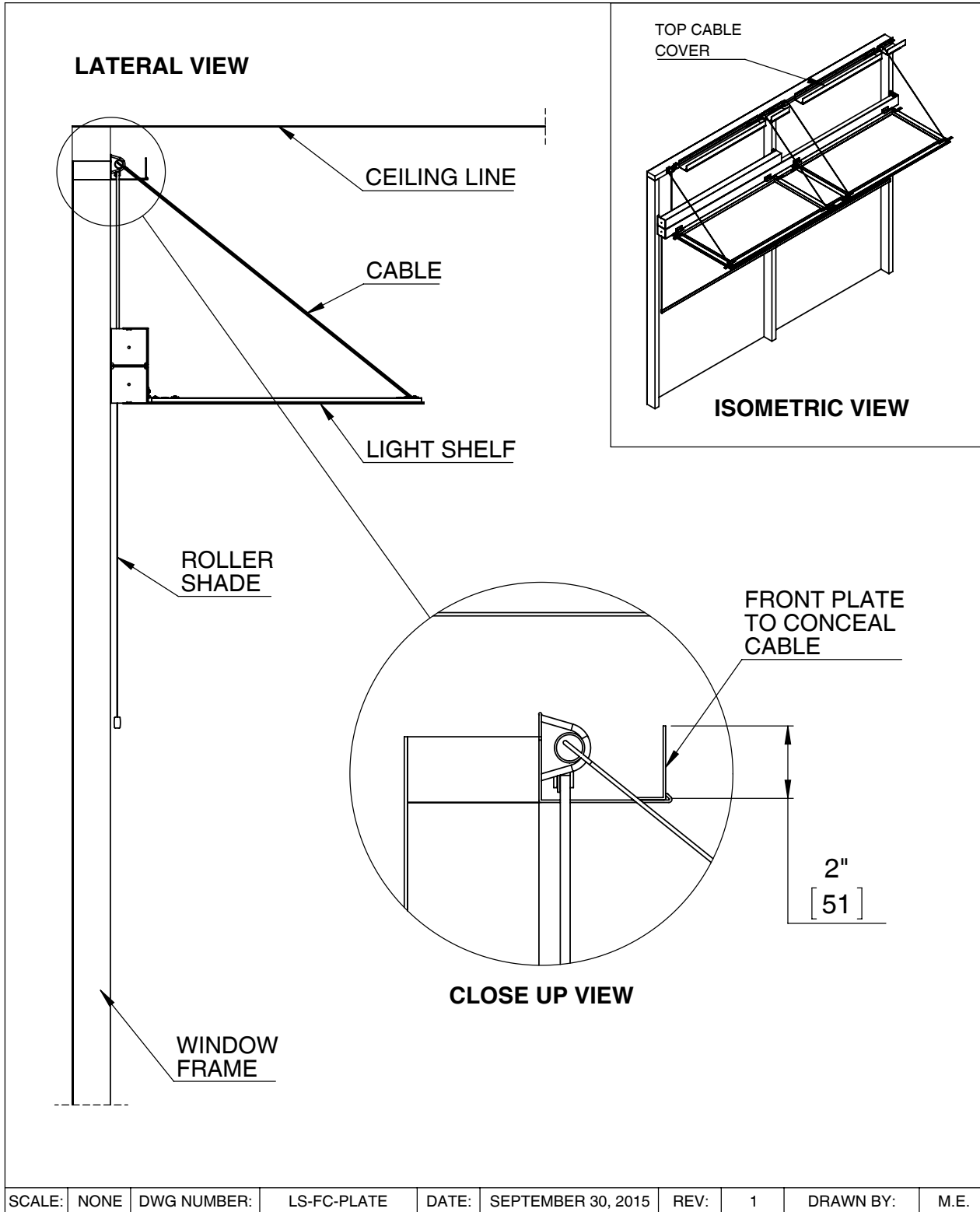


FEATURES		BENEFITS							
DAYLIGHT CONTROL		LIGHT SHELF CAN BE POSITIONED TO OPTIMIZE THE AMOUNT OF LIGHT THAT ENTERS AN INTERIOR SPACE							
ALUMINUM FRAME DESIGN		ABLE TO ACHIEVE WIDER WIDTH PANELS							
POLYCARBONATE MATERIAL		LIGHT WEIGHT AND OFFERS FLEXIBLE LIGHT MANAGEMENT							
ALUMINUM AIRCRAFT CABLE		STRONG AIRCRAFT CABLE PROVIDES A SMOOTH AND EFFORTLESS MOTION WHEN OPERATING THE LIGHT SHELF							
MOTORIZED		INTEGRATED INTO BUILDING MANAGEMENT SYSTEM							
INSERT (OPTIONAL)		INSERT BETWEEN EACH SHELF HELPS SHELF OPERATE TOGETHER AND CAN BE REMOVED FOR A DEMISING WALL IF NECESSARY							
TOP CABLE COVER (OPTIONAL)		CABLE COVER HIDES AIRCRAFT CABLE AND PROVIDES A FINISHED LOOK							
SCALE:	NONE	DWG NUMBER:	LS-M-01	DATE:	OCTOBER 7, 2015	REV:	0	DRAWN BY:	M.E.



Light Shelf Automated Light Management System

Top Cable Cover (Optional)



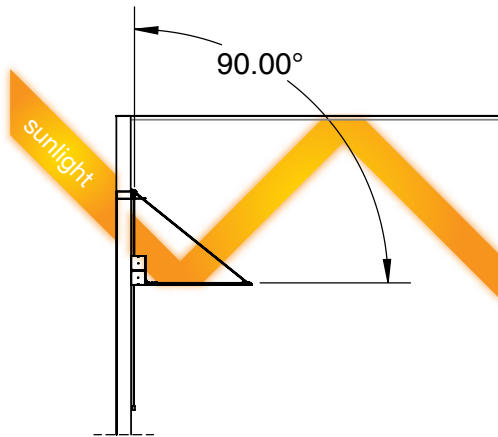


Light Shelf Automated Light Management System

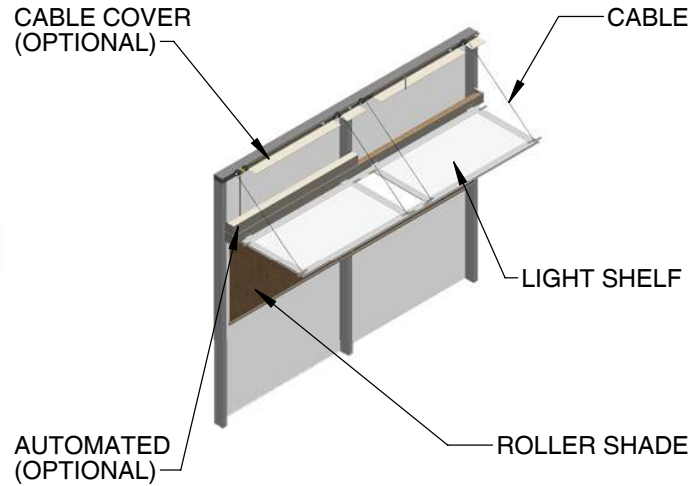
Daylighting

DOWN POSITION

LATERAL VIEW

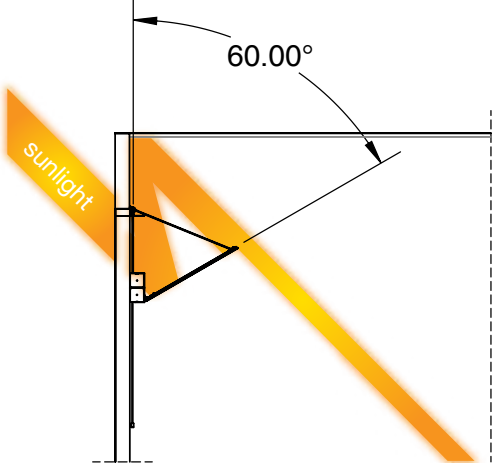


ISOMETRIC VIEW

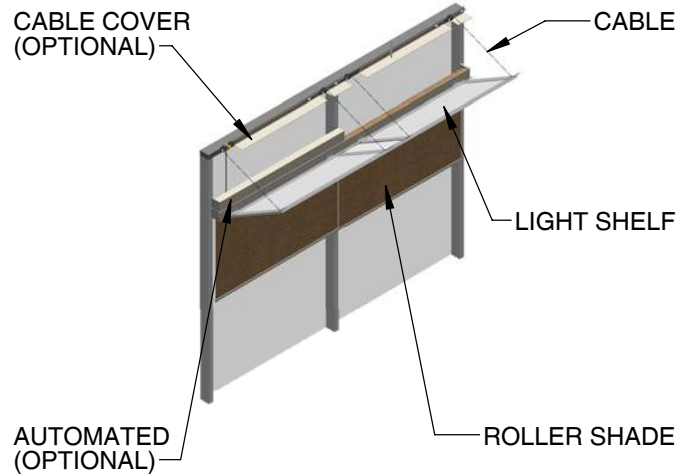


UP POSITION

LATERAL VIEW



ISOMETRIC VIEW



SCALE:	NONE	DWG NUMBER:	LSH-DL-01	DATE:	FEBRUARY 5, 2015	REV:	1	DRAWN BY:	M.E.
--------	------	-------------	-----------	-------	------------------	------	---	-----------	------

Panel Track

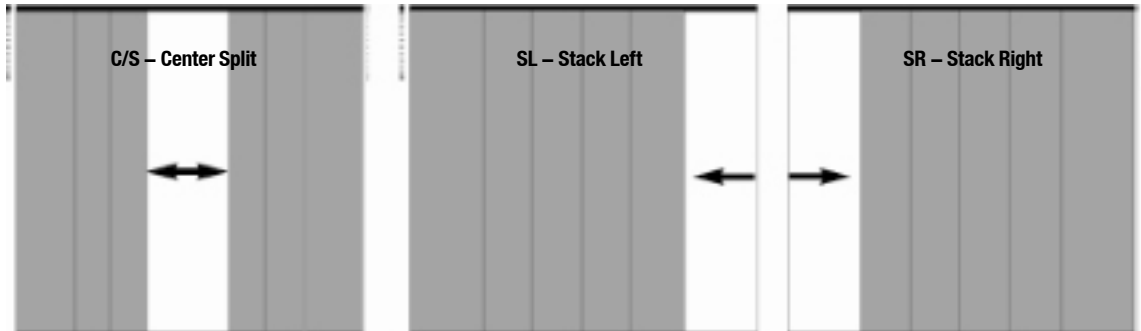




Panel Track

Features and Specifications

Control and Opening Location



Note: 5 Channel Track is required for all centre split applications.

Panel Sizing

Panel Width Calculation

Panels overlap by approximately 2". The minimum panel width is 16" and the maximum panel width is 48". To determine the approximate width of each panel, divide the total width of the panel track system by the number of panels and add the following:

1" for 3 panels	1 1/2" for 6 panels
1 1/4" for 4 panels	1 5/8" for 8 panels
1 3/8" for 5 panels	

Panel Height Calculation

Sun Glow will deduct 1/2" from the height of the panel track when "tight" measurement is specified on the order form. No deductions are taken on "finished" measurements. When using "finished" measurements, Sun Glow recommends a height deduction of a minimum of 1/2" in order to accommodate uneven floors and ceilings.

Option: Decorative No Sew Bar



No Sew Bar \$5/ft. (no minimum order quantity). Order Code: RM
Pricing: \$5/ft. (rounded up to closest foot) x # of panels x # of rows of No Sew Bar.

Panel Track Pricing Notes

- All Panel Tracks include track, fabric panels, side or centre split, manual control (cord with cord weight or wand), mounting brackets, and choice of bottom bar.
- Please refer to the "Panel Width Calculation" above to determine the approximate width of the panels.
- Prices are for shade only. Applicable motor options and controls must be added to these prices.



Panel Track

Features and Specifications

3 Channel Track



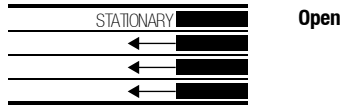
3 Panels - One Way (Open Right Shown)



4 Channel Track



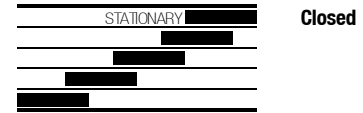
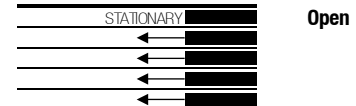
4 Panels - One Way (Open Right Shown)



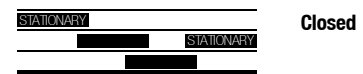
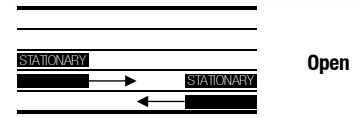
5 Channel Track



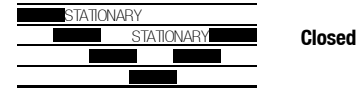
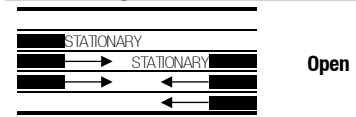
5 Panels - One Way (Open Right Shown)



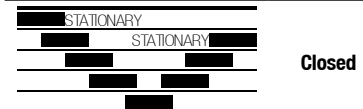
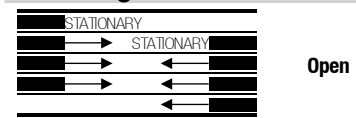
4 Panels - Center Split using 5 channel track



6 Panels - Center Split using 5 channel track



8 Panels - Center Split using 5 channel track



Note: Please contact our technical department for areas requiring more than 8 panels, or other special configurations not shown here



Panel Track Mounting Details

Ceiling Mount

	Locked in the Back (Fig. 1)			Locked in the Front (Fig. 2)		
	A	B	C	D	E	F
3 Channel	2 1/32" 52mm	2 3/8" 60mm	11/16" 18mm	2 1/32" 52mm	1 1/4" 32mm	11/16" 18mm
4 Channel	2 3/4" 70mm	2 3/8" 60mm	11/16" 18mm	2 3/4" 70mm	2" 51mm	11/16" 18mm
5 Channel	3 1/2" 87mm	2 3/8" 60mm	11/16" 18mm	3 1/2" 89mm	2 5/8" 67mm	11/16" 18mm

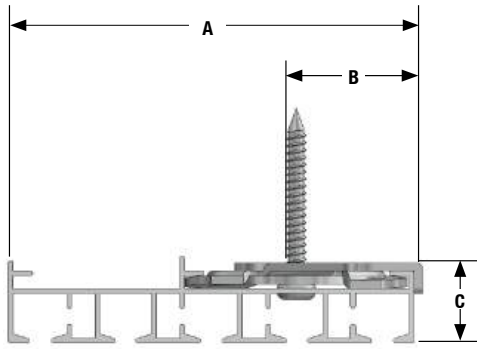


Figure 1

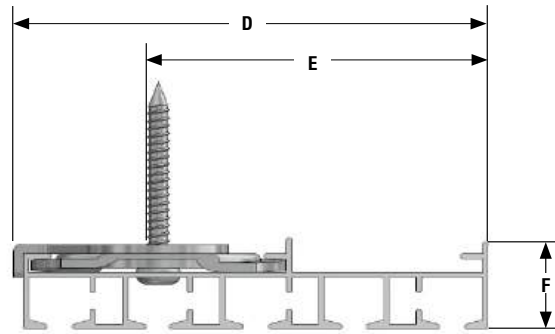


Figure 2

Wall Mount

	Locked in the Back (Fig. 3)				Locked in the Front (Fig. 4)			
	G	H	I	J	K	L	M	N
3 Channel	2 11/16" 68mm	1 5/8" 41mm	1 13/16" 46mm	3/4" 19mm	3 5/8" 92mm	2" 51mm	2 3/8" 60mm	1.5" 38mm
4 Channel	3 7/16" 87mm	1 5/8" 41mm	1 13/16" 46mm	3/4" 19mm	3 1/2" 89mm	2" 51mm	2 3/8" 60mm	3/4" 19mm
5 Channel	4 1/8" 105mm	1 5/8" 41mm	1 13/16" 46mm	3/4" 19mm	4 1/2" 114mm	2" 51mm	2 3/8" 60mm	1 1/16" 27mm

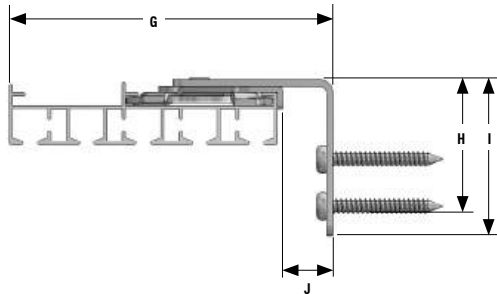


Figure 3

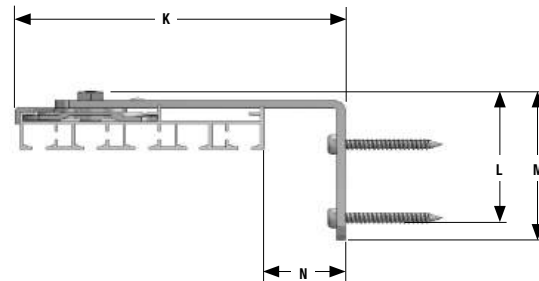
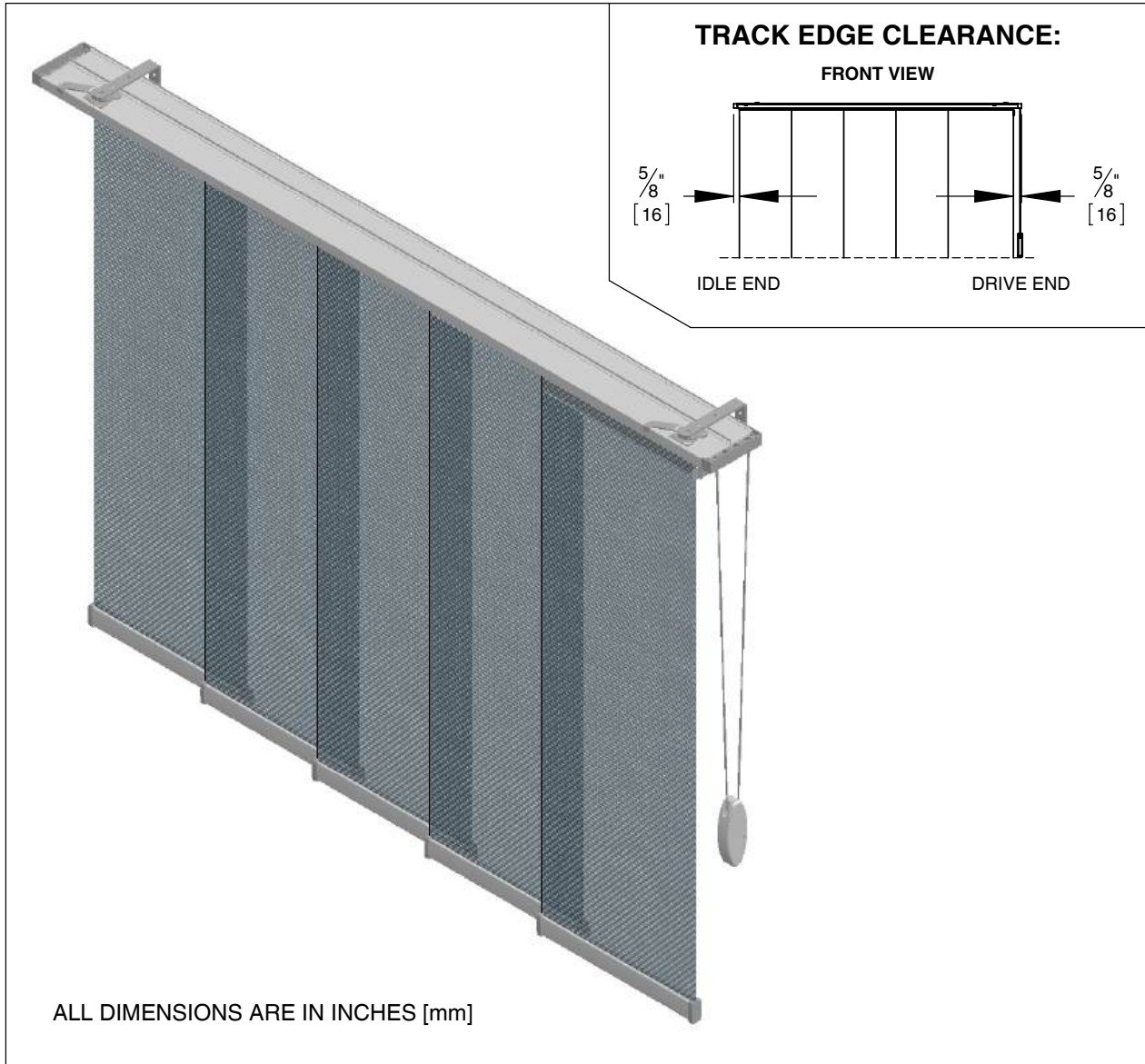


Figure 4



Panel Track - Manual

Features & Benefits



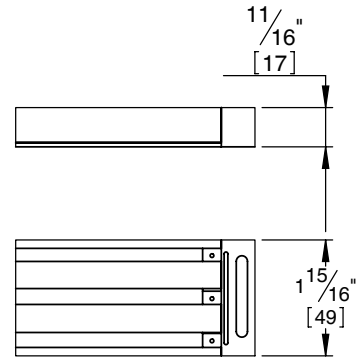
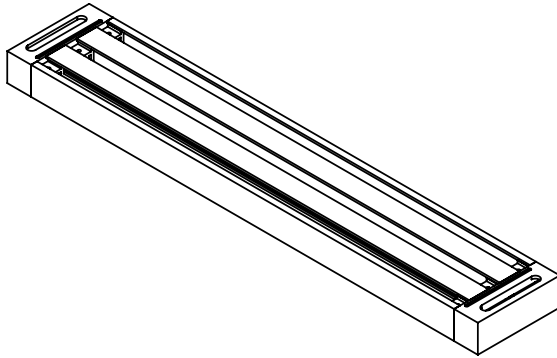
FEATURES		BENEFITS	
CONTEMPORARY DESIGN		IDEAL FOR PATIO DOORS, LARGE WINDOWS, AND ROOM DIVIDERS	
LOW PROFILE DESIGN		STREAMLINED TO BLEND INTO THE BUILDING ARCHITECTURE	
NYLON COMPONENTS		PROVIDES A SMOOTH OPERATION USING A CORD OR WAND CONTROL	
STACKING FLEXIBILITY		AVAILABLE IN CENTER SPLIT AND ONE WAY - WITH LEFT OR RIGHT STACKING	
AVAILABLE IN 3, 4, AND 5 CHANNEL TRACKS		PROVIDES MULTIPLE COMBINATIONS	
EXTRUDED ALUMINUM TRACK		PROVIDES DURABILITY FOR MANY YEARS	
SCALE:	NONE	DWG NUMBER:	PTSM-01
DATE:	OCTOBER 8, 2015	REV:	5
DRAWN BY:	M.E.		



Panel Track - Manual

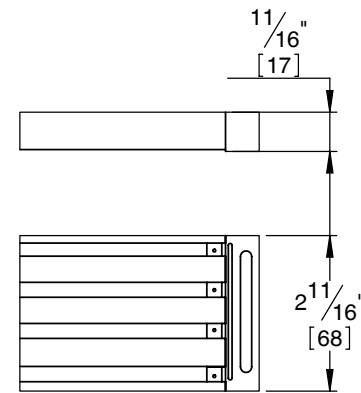
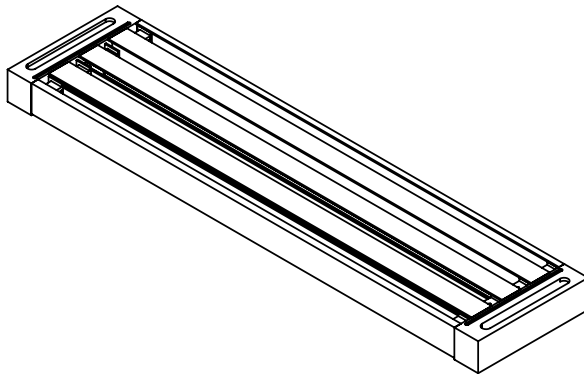
Track Options

3 - CHANNEL TRACK



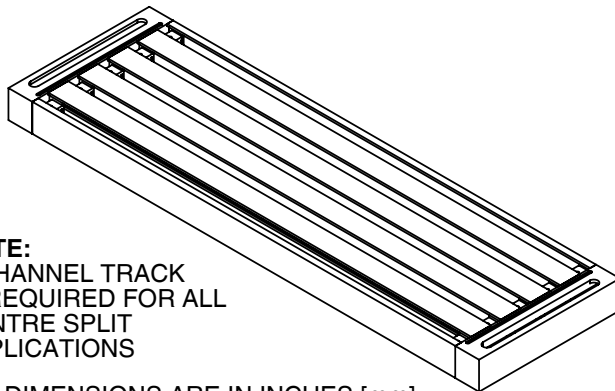
3 - CHANNEL TRACK PROFILE

4 - CHANNEL TRACK



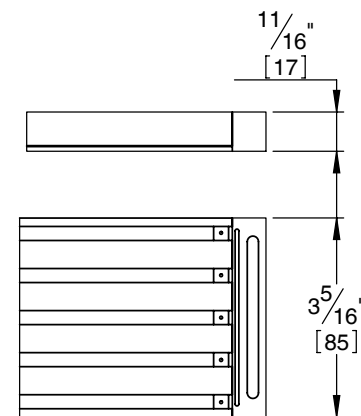
4 - CHANNEL TRACK PROFILE

5 - CHANNEL TRACK



NOTE:
5 CHANNEL TRACK
IS REQUIRED FOR ALL
CENTRE SPLIT
APPLICATIONS

ALL DIMENSIONS ARE IN INCHES [mm]



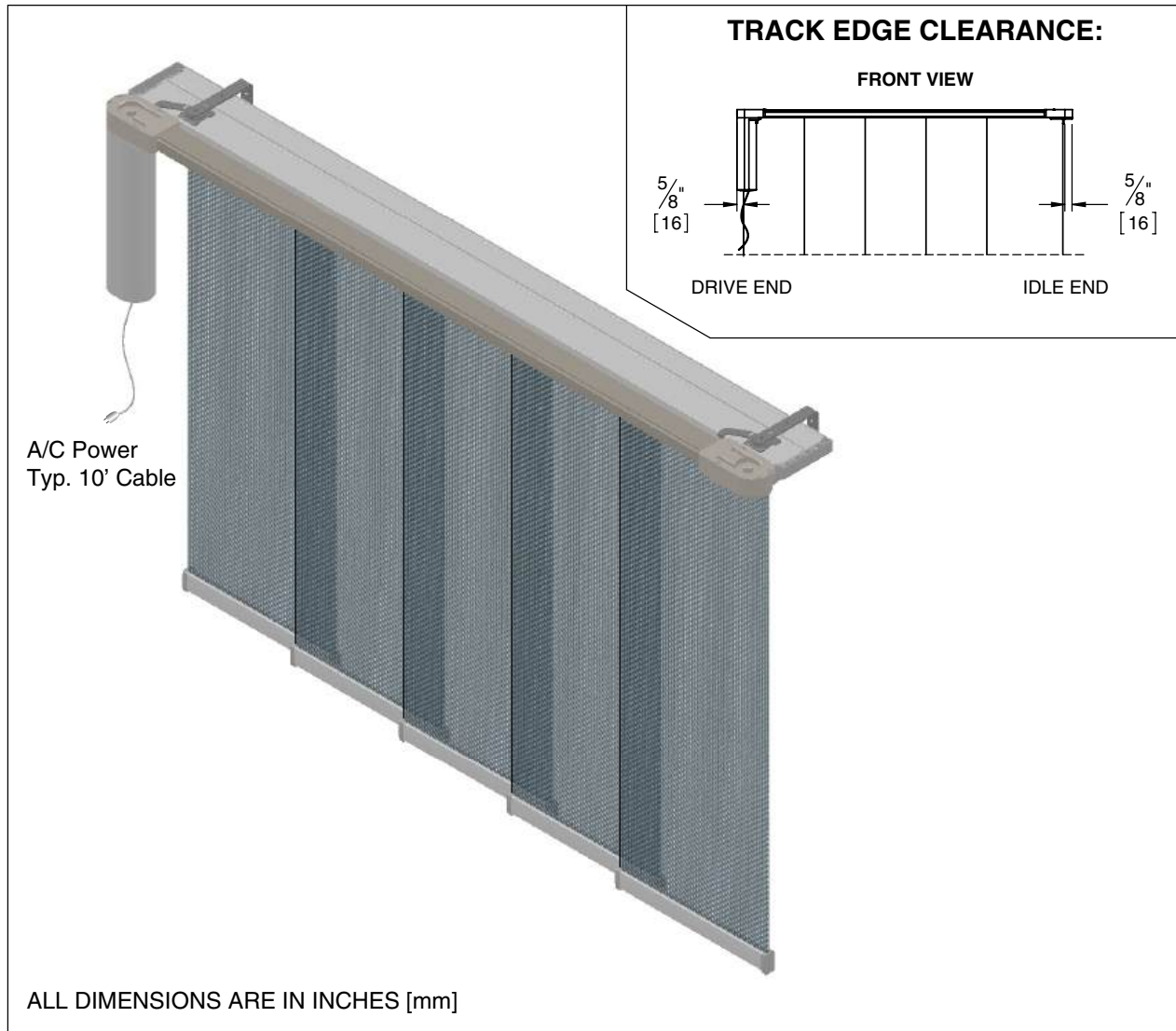
5 - CHANNEL TRACK PROFILE

SCALE:	NONE	DWG NUMBER:	PTD-01	DATE:	SEPTEMBER 16, 2015	REV:	5	DRAWN BY:	M.E.
--------	------	-------------	--------	-------	--------------------	------	---	-----------	------



Panel Track - Motorized

Features & Benefits



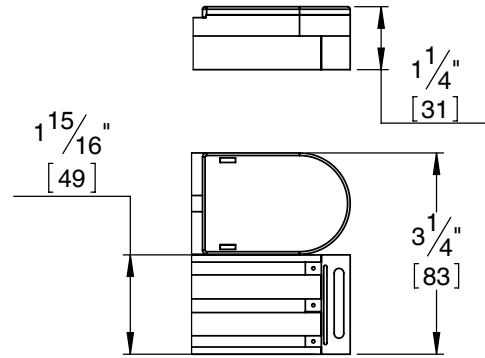
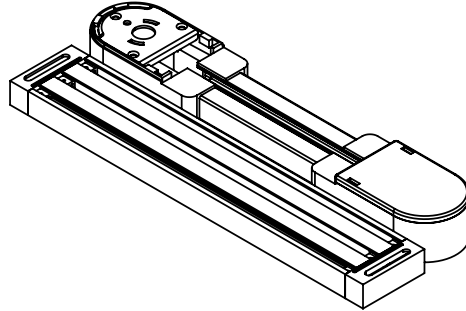
FEATURES		BENEFITS	
CONTEMPORARY DESIGN		IDEAL FOR PATIO DOORS, LARGE WINDOWS, AND ROOM DIVIDERS	
LOW PROFILE DESIGN		STREAMLINED TO BLEND INTO THE BUILDING ARCHITECTURE	
MOTORIZED		<ul style="list-style-type: none"> • USES 110V GLYDEA 35 OR 60e MOTOR TO MOVE TRACK AUTOMATICALLY • TOUCH MOTION ALLOWS USER TO MANUALLY PULL ON THE FABRIC TO ACTIVATE THE PANEL TRACK (AVAILABLE FOR BLYDEA 60e ONLY) 	
STACKING FLEXIBILITY		AVAILABLE IN CENTER SPLIT AND ONE WAY - WITH LEFT OR RIGHT STACKING	
AVAILABLE IN 3, 4, AND 5 CHANNEL TRACKS		PROVIDES MULTIPLE COMBINATIONS	
EXTRUDED ALUMINUM TRACK		PROVIDES DURABILITY FOR MANY YEARS	
SCALE:	NONE	DWG NUMBER:	PTMSM-01
DATE:	SEPTEMBER 16, 2015	REV:	5
DRAWN BY:	M.E.		



Panel Track - Motorized

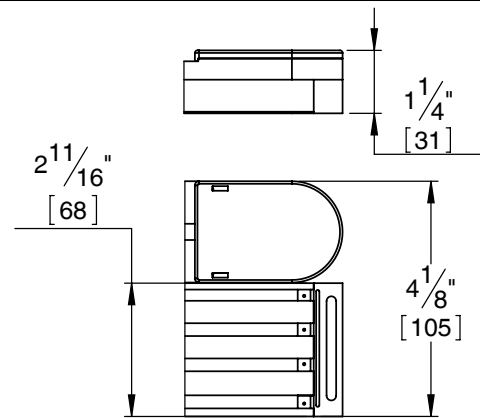
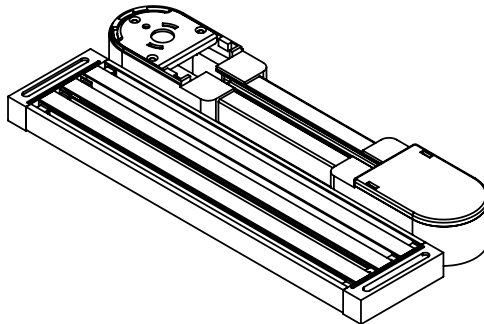
Track Options

3 - CHANNEL TRACK



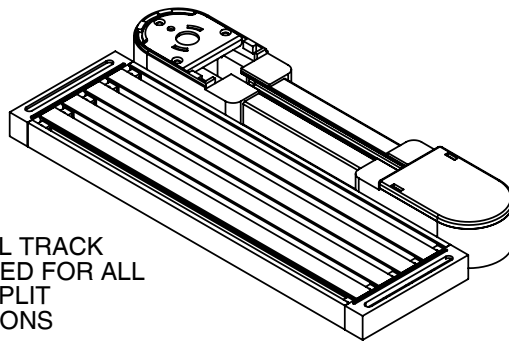
3 - CHANNEL TRACK PROFILE

4 - CHANNEL TRACK



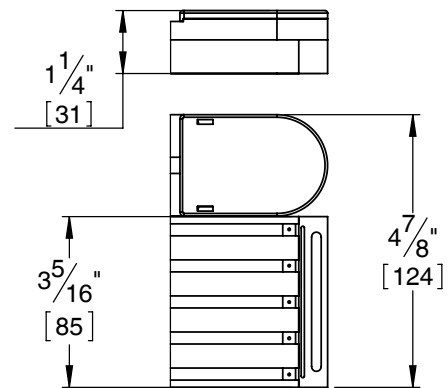
4 - CHANNEL TRACK PROFILE

5 - CHANNEL TRACK



NOTE:
5 CHANNEL TRACK
IS REQUIRED FOR ALL
CENTRE SPLIT
APPLICATIONS

ALL DIMENSIONS ARE IN INCHES [mm]



5 - CHANNEL TRACK PROFILE

SCALE:	NONE	DWG NUMBER:	PTMD-01	DATE:	SEPTEMBER 16, 2015	REV:	4	DRAWN BY:	M.E.
--------	------	-------------	---------	-------	--------------------	------	---	-----------	------

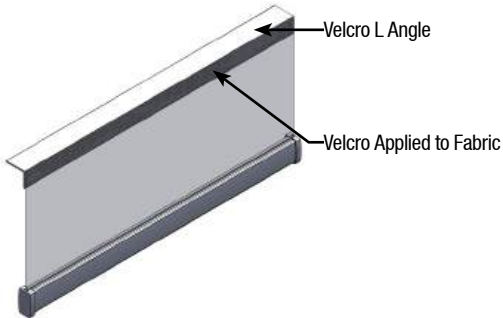
Fixed Shades





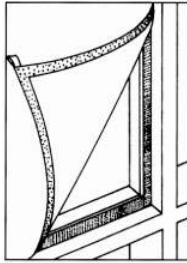
Fixed Shade Features & Benefits

Option 1: Velcro Angle Ceiling Mount with Bottom Bar



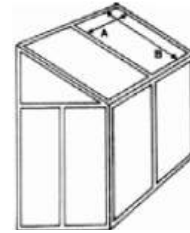
(Order Code: FX-VB)
This application is for ceiling mount only. Includes velcro angle at the top, sewn velcro at the top of the fabric, and a bottom bar to keep the fabric taut.

Option 2: Velcro Panel



(Order Code: FX-V)
These panels are made for special window shapes. Velcro with adhesive backing will be supplied

How To Measure



A minimum depth of 1" (2.5cm) is necessary for installation.

Measure both width (A) and height (B)

For Velcro Panels (FX-V) give all measurements (without deductions) and a template of actual window dimensions. When measuring arches, please provide the width at the bottom of the arch and at least 3 height measurements, one of which must include the full height of the arch.

Automation & Motorization





Motorization & Automation

Power Options

The following options are the most common choices to power motorized window coverings. For more sophisticated automation and integration options please call our technical department.

Power Option #1 Plug-In Power Motors

Features & Benefits:

- The motor plugs directly into a standard electrical outlet.
- The window covering can be serviced without an electrician.
- DC option comes with a 2 prong plug with transformer.
- AC option comes with a 3 prong plug.
- An electrician may be required depending on the location of the electrical outlet. 3' to 24' cables are optional.
- RTS (radio frequency control) compatible.
- Cables are visible.

Recommended Uses:

DC (low-voltage)

- Mainly residential and some commercial projects where the power is not accessible by the general public.
- Smaller size window coverings and lighter fabrics.
- Applications that require smaller headboxes or valances under 3" x 3".
- When window coverings are close to an existing electrical outlet there is no need for an electrician.

AC

- Residential or commercial applications.
- Accommodates most window covering sizes and heavier fabrics.
- Applications that can accommodate headboxes larger than 3" x 3".
- When window coverings are close to an existing electrical outlet there is no need for an electrician.

Products Supported:

DC (low-voltage)

- Roller Shades

AC

- Roller Shades (single and multi-banded)
- Drapery
- Panel Tracks



Motorization & Automation

Hardwired Motor Options

Power Option #2

Hardwired Power Motors (with bare wire)

Features & Benefits:

- The motor is wired into the home/building's electrical system.
- Both RTS (radio frequency control) and non-RTS compatible.
- Wires are concealed behind the walls.
- DC option is wired into a power supply/transformer.
- AC option is wired into a junction box by an electrician.

Recommended Uses:

DC (low-voltage)

- Mainly residential and some commercial applications.
- Smaller size window coverings and lighter fabrics.
- Applications that require smaller headboxes or valances under 3" x 3".
- When integrating into a home/building automation system.

AC

- Residential or commercial applications.
- Accommodates most window covering sizes and heavier fabrics.
- Applications that can accommodate headboxes larger than 3" x 3".
- Applications requiring RTS (radio frequency control) and non-RTS controls.
- When integrating into a home/building automation system.

Products Supported:

DC (low-voltage)

- Roller Shades

AC

- Roller Shades (single and multi-banded)
- Drapery
- Panel Tracks



Motorization & Automation Control Options

Control Option #1 RTS (radio frequency control) Wireless Controls

- Operates on radio frequency so there's no need to aim the control.
- No control wires required.
- Radio signal travels through walls up to 65' in all directions.
- Available in hand held remotes and wall switches, with optional wall switch timers and sun sensors.
- Controls available in single and multi-channel versions.
- Offers flexibility in individual and group control.
- Motor limits and settings are easily programmed with the remote or wall switch.
- Multiple motors can be programmed to a single channel.
- Up to 12 remotes can be programmed to the same motor.
- Can be used as a stand alone system or integrated with home/building automation systems.
- myLink can be used to operate shades with mobile app.

Control Option #2 Standard Wire Switch

- The switch must be wired to the motor by an electrician.
- Paddle switch with plate only.
- **NOTE:** Many other control options are available. Please contact our technical department.




Control Option #3 Standard Wire Switch

- Operates on RS-485 communication protocol.
- Can be used as a stand alone system or integrated with home/building automation systems.
- Two-way communication provides shade position feedback to control interface.
- Available in both wired and wireless configurations.
- **NOTE:** For more information, please contact our technical department.



Motorization & Automation



Motor Comparison

	Stealth Wand  STEALTH AUTOMATION	Stealth Rechargeable  STEALTH AUTOMATION		Stealth Flex  STEALTH AUTOMATION
Order Code	STW	STR11	STR20	STF
Speeds (RPM)	20/25/30	20/25/30	20/24/28	20/24/28
Torque	1.1Nm	1.1Nm	2Nm	2Nm
Noise Level	≤ 32 dBA ISO3745	≤ 32 dBA ISO3745	≤ 30 dBA ISO3745	≤ 32 dBA ISO3745
Minimum Width	22"	21 15/16"	26 3/16"	17 3/16"
Power Type	5V DC	5V DC	5V DC	12V DC
Roller Shades	✓	✓	✓	✓
Interlude	✓	✓	✓	✓
Illusions	✓	✓	✓	✓
Control Options	Choose from Stealth Wand Control Options	Choose from Stealth Remote Control Options	Choose from Stealth Remote Control Options	Choose from Stealth Remote Control Options
Included	-	4.5" antenna 4.5" power cable (USB C)	4.5" antenna 4.5" power cable (USB C)	4.5" antenna 7" power cable
Power Options	Stealth Wand Group 1	Stealth Rechargeable Group 2	Stealth Rechargeable Group 2	Stealth Flex Group 3





Motorization & Automation

Motor Comparison

	Roll Up 28 WireFree™ RTS somfy.	Sonesse Ultra 30 Wirefree RTS (Li-ion) somfy.	Sonesse Ultra 30 Wirefree Zigbee (Li-ion) somfy.	Sonesse 30 RTS somfy.	Sonesse 30 Zigbee somfy.
Order Code	R28RTS	SU30WFRTS	SU30WFZB	S30RTS	S30ZB
Torque	1.1Nm	2Nm	2Nm	2Nm	2Nm
Noise Level	48–56 dBA ISO3741	≤ 38 dBA ISO3741	≤ 38 dBA ISO3741	44 dBA ISO3741	44 dBA ISO3741
Minimum Width	19"	29"	29"	22"	22"
Power Type	12V DC	12V DC	12V DC	24V DC	24V DC
Roller Shades	✓	✓	✓	✓	✓
Interlude	✓	✓	✓	✓	✓
Illusions	✓	✓	✓	✓	✓
					
				✓	✓
Control Options	Choose from RTS Control Options	Choose from RTS Control Options	Choose from Zigbee Control Options	Choose from RTS Control Options	Choose from Zigbee Control Options
Included	Antenna and 10" power cable with attached plug	Antenna and 7.5" power cable with attached plug	Antenna and 7.5" power cable with attached plug	Antenna and 9.8" power cable with attached Quick Connect	Antenna and 9.8" power cable with attached Quick Connect
Power Options	Battery DC Plug In Group 4	Battery Group 5	Battery Group 5	DC Plug In DC Power Panel Group 6	DC Plug In DC Power Panel Group 6



	Sonesse 30 RS485 (SDN) somfy.	Sonesse 40 Wirefree RTS (Li-ion) somfy.	Sonesse 40 RTS somfy.	Sonesse 40 WT (non-RTS) somfy.	Sonesse Ultra 50 DC (RTS) somfy.	Sonesse 50 RTS somfy.	
Order Code	S30485	S40RTSL	S404RTS S406RTS S409RTS	S404WT S406WT S409WT	Square Head SU504DCRTS	Star Head SSH506RTS	Star Head SSH510RTS
						Round Head SRH506RTS	Round Head SRH510RTS
Torque	2Nm	3Nm	4Nm 6Nm 9Nm	4Nm 6Nm 9Nm	4Nm	6Nm	10Nm
Noise Level	44 dBA	44 dBA	42 dBA 44 dBA 40 dBA	42 dBA 44 dBA 40 dBA	≤ 38 dBA	≤ 45 dBA	≤ 47 dBA
Minimum Width	23"	30"	27"	27"	37"	36"	36"
Power Type	24V DC	12V DC	120V AC / 60Hz	120V AC / 60Hz	24V DC	120V AC / 60Hz	120V AC / 60Hz
Roller Shades	✓	✓	✓	✓	✓	✓	✓
Interlude	✓	✓	✓	✓			
Illusions	✓	✓					
					✓		
	✓	✓	✓	✓		✓	✓
Control Options	Choose from SDN Control Options	Choose from RTS Control Options	Choose from RTS Control Options	Choose from Hardwired Control Options	Choose from RTS Control Options	Choose from RTS Control Options	Choose from RTS Control Options
Included	9.8" power and data cable with attached Quick Connect	Antenna and 7.5" power cable with attached plug	Fast Connector with 8.4' bare wire	Fast Connector with 8.4' bare wire	Antenna and 10" power cable with attached Quick Connect	9.8' bare wire	9.8' bare wire
Power Options	DC Plug In RS485 Power Panel Group 11	Battery Group 7	AC Plug In Group 7	AC Plug In Group 9	DC Plug In DC Power Panel Group 6	AC Plug In Group 8	AC Plug In Group 8



Motorization & Automation

Power Option Groups



	Sonesse Ultra 50 DC RS485 (SDN) 	Sonesse Ultra 50 RTS 	Sonesse 50 WT (non RTS) 		Sonesse Ultra 50 RA-WT 	Sonesse 50 RS485 (SDN) 	Sonesse Ultra 50 RS485 (SDN)
Order Code	Square Head SU504DC485	Star Head SUSH506RTS Round Head SURH506RTS	Star Head SSH506WT Round Head SRH506WT	Star Head SSH510WT Round Head SRH510WT	Star Head SUSH506WT Round Head SURH506WT	Star Head – 6Nm SSH506485 Star Head – 10Nm SSH510485	Star Head SUSH506485
Torque	4Nm	6Nm	6Nm	10Nm	6Nm	6Nm 10Nm	6Nm
Noise Level	≤ 38 dBA	≤ 38 dBA	≤ 45 dBA	≤ 47 dBA	≤ 38 dBA	≤ 45 dBA ≤ 47 dBA	≤ 38 dBA
Minimum Width	37"	39"	32"	36"	39"	32" 33"	39"
Power Type	24V DC	120V AC / 60Hz	120V AC / 60Hz	120V AC / 60Hz	120V AC / 60Hz	120V AC / 60Hz	120V AC / 60Hz
Roller Shades	✓	✓	✓	✓	✓	✓	✓
Interlude							
Illusions							
	✓						
		✓	✓	✓	✓	✓	✓
Control Options	Choose from SDN Control Options	Choose from RTS Control Options	Choose from Hardwired Control Options	Choose from Hardwired Control Options	Choose from Hardwired Control Options	Choose from SDN Control Options	Choose from SDN Control Options
Included	10" data and power cable with attached Quick Connect	9.8' bare wire	9.8' bare wire	9.8' bare wire	9.8' bare wire	9.8' bare wire, data cable sold separately	9.8' bare wire, data cable sold separately
Power Options	DC Plug In RS485 Power Panel Group 11	AC Plug In Group 8	AC Plug In Group 10	AC Plug In Group 10	AC Plug In Group 10	AC Plug In Group 8	AC Plug In Group 8





Motorization & Automation

Power Option Groups

Power Options Group 1: Stealth Wand Motor

Power Sources (required, select one)	Order Code	# of Motors per Power Source	
	24" Stealth Wand Controller	SW24	1
	36" Stealth Wand Controller	SW35	1
	59" Stealth Wand Controller	SW59	1
	5V USB type C Cable and USB Wall Plug Recharger (output 5V 2A) 9.8ft, White	USBC	Recharger

Power Options Group 2: Stealth Rechargeable Motor



Power Sources (required, select one)	Order Code	# of Motors per Power Source	
	5V USB type C Cable and USB Wall Plug Recharger (output 5V 2A) 9.8ft, White	USBC	Recharger
	Stealth USB C Solar Panel Battery Recharger 6.4V/4.2W 12 in. USB C Cord Length, White	SSPC	1 Motor






Motorization & Automation

Power Option Groups

Power Options Group 3: Stealth Flex Motors: Direct Power

Power Sources (required, select one)		Order Code	# of Motors per Power Source
	12V/3A Wall Plug Power Adapter	SFPA	1 Motor
	5 Motor Power Kit 1 x 5 Motor/Control Distribution Panel 1 x 12V DC 8.5 Amp Power Supply 1 x 10 in. x 10 in. x 4.25 in. Enclosure 1 x 6 ft. 110V cable	SGP5	5 Motors
	10 Motor Power Kit 1 x 10 Motor/Control Distribution Panel 1 x 12V DC 12.5 Amp Power Supply 1 x 10 in. x 10 in. x 4.25 in. Enclosure 1 x 6 ft. 110V cable	SGP10	10 Motors
	15 Motor Power Kit 1 x 10 Motor/Control Distribution Panel 1 x 5 Motor/Control Distribution Panel 1 x 12V DC 8.5 Amp Power Supply 1 x 10 in. x 10 in. x 4.25 in. Enclosure 1 x 6 ft. 110V cable	SGP15	15 Motors
	20 Motor Power Kit 2 x 10 Motor/Control Distribution Panel 1 x 12V DC 12.5 Amp Power Supply 1 x 10 in. x 10 in. x 4.25 in. Enclosure 1 x 6 ft. 110V cable	SGP20	20 Motors





Stealth Flex Motors: Battery Power

Power Sources (required, select one)		Order Code	# of Motors per Power Source
	External 12V Battery Pack	SFEB	1 Motor
	5V USB type C Cable and USB Wall Plug Recharger (output 5V 2A) 9.8ft, White	USBC	Recharger
	Stealth USB C Solar Panel Battery Recharger 6.4V/4.2W 12 in. USB C Cord Length, White	SSPC	1 Motor





Motorization & Automation Power Option Groups

Power Options Group 4: Roll Up 28 WireFree™ RTS

Power Sources (required, select one)	Order Code	# of Motors per Power Source
 <p>External Li-ion Battery Pack (Li-ion Plug-in Charger Required)</p>	WF10	1 Motor
 <p>(Li-ion) Plug-in Charger (compatible with Sonesse Ultra 30 Wirefree RTS (Li-ion), Sonesse 40 Wirefree RTS (Li-ion), and Roll Up 28 WireFree™ RTS)</p>	WF11	Recharger
 <p>Solar Recharge Kit: Includes: Solar panel, mounting brackets, battery clips, glass mount adhesive, and the external Li-ion battery pack</p>	SPK	1 Motor
 <p>12V DC Plug-in Transformer (no battery required)</p>	WFT	1 Motor

Power Options Group 5: Sonesse Ultra 30 Wirefree RTS (Li-ion) and Sonesse 40 Wirefree RTS (Li-ion)



Power Sources (required, select one)	Order Code	# of Motors per Power Source
 <p>(Li-ion) Plug-in Charger (compatible with Sonesse Ultra 30 Wirefree RTS (Li-ion), Sonesse 40 Wirefree RTS (Li-ion), and Roll Up 28 WireFree™ RTS)</p>	WF11	Recharger
 <p>Wirefree RTS (Li-ion) Charger Extension Cable, 94.5"</p>	WFE94	N/A






Motorization & Automation

Power Option Groups

Power Options Group 6: Sonesse 30 RTS and Sonesse Ultra 50 DC RTS


Power Sources (required, select one)		Order Code	# of Motors per Power Source
	24V DC 1.66A Wall Mount Plug-in Transformer 5 ft. cable – (2 Conductor, 20 Gauge)	DCW	1 Motor
	5 Motor – Power/Control Distribution Enclosure Kit 1 – 5 Motor/Control Distribution Panel 1 – 24V DC 10 Amp Power Supply 1 – 12 in. x 12 in. x 6.25 in. Enclosure	PCD5	5 Motors
	10 Motor – Power/Control Distribution Enclosure Kit 1 – 10 Motor/Control Distribution Panel 1 – 24V DC 20 Amp Power Supply 1 – 18 in. x 18 in. x 6.25 in. Enclosure	PCD10	10 Motors
	15 Motor – Power/Control Distribution Enclosure Kit 1 – 5 Motor/Control Distribution Panel 1 – 10 Motor/Control Distribution Panel 1 – 24V DC 10 Amp Power Supply 1 – 24V DC 20 Amp Power Supply 1 – 18 in. x 18 in. x 6.25 in. Enclosure	PCD15	15 Motors
	20 Motor – Power/Control Distribution Enclosure Kit 2 – 10 Motor/Control Distribution Panel 2 – 24V DC 20 Amp Power Supply 1 – 18 in. x 18 in. x 6.25 in. Enclosure	PCD20	20 Motors


Power Options Group 7: Sonesse 40 RTS

Power Sources (required, select one)		Order Code	# of Motors per Power Source
Note: Use the Special Instructions Section of the order form to specify the Plug-In Cables.			
	Sonesse 40 RTS Motors come with an attached 1.6ft 3 conductor cable with a female Fast Connector (shown), and a male Fast Connector with 8.4ft of 3 conductor cable for direct AC wiring. For plug-in power instead of wiring, select a NEMA Plug option below.	–	1 Motor
	Fast Connector Extension Cable 3C SJTW with NEMA Plug – 1.4 FT	FC3N1.4	1 Motor
	Fast Connector Extension Cable 3C SJTW with NEMA Plug – 4.4 FT	FC3N4.4	1 Motor
	Fast Connector Extension Cable 3C SJTW with NEMA Plug – 8.4 FT	FC3N8.4	1 Motor
	Fast Connector Extension Cable 3C SJTW with NEMA Plug – 10.4 FT	FC3N10.4	1 Motor
	Fast Connector Extension Cable 3C SJTW with NEMA Plug – 18 FT	FC3N18	1 Motor
	Fast Connector Extension Cable 3C SJTW with NEMA Plug – 24 FT	FC3N24	1 Motor
	Panel Mount (3 Conductor) Female Fast Connector For direct connection to J-Box	FC3PM	N/A




Power Options Group 8: Sonesse 50 RTS, Sonesse Ultra 50 RTS, Sonesse 50 RS485 (SDN), Sonesse Ultra 50 RS485 (SDN)

Power Sources (required, select one) Note: Use the Special Instructions Section of the order form to specify the Plug-In Cables.		Order Code	# of Motors per Power Source
	1 1/2' Plug-In Cable	AC1.5	1 Motor
	6' Plug-In Cable	AC6	1 Motor
	10' Plug-In Cable	AC10	1 Motor
	18' Plug-In Cable	AC18	1 Motor
	24' Plug-In Cable	AC24	1 Motor
	10' Motor Cable	AC3B10	1 Motor
	24' Motor Cable	AC3B24	1 Motor
	3 Conductor Motor Cable	ACC3	N/A

Additional Option	Order Code	# of Motors per Power Source
 <p>Quick Connect Male and Female End (Recommended)</p>	QDISM	1 Motor


Power Options Group 9: Sonesse 40 WT

Power Sources (required, select one) Note: Use the Special Instructions Section of the order form to specify the Plug-In Cables.		Order Code	# of Motors per Power Source
	8.4' Plug-In Cable	FC4B8.4	1 Motor
	16.4' Plug-In Cable	FC4B16.4	1 Motor
	22.4' Plug-In Cable	FC4B22.4	1 Motor
	Fast Connector Extension Cable 4C SJTW – 4.4 FT	FC4B4.4	1 Motor

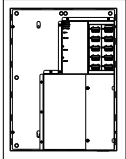


Power Options Group 10: Sonesse 50 RA WT, Sonesse 50 WT

Power Sources (optional) Note: Use the Special Instructions Section of the order form to specify the Plug-In Cables.	Order Code	# of Motors per Power Source
10' 4 Conductor Motor Cable	AC4B10	1 Motor
24' 4 Conductor Motor Cable	AC4B24	1 Motor
4 Conductor Motor Cable (per foot)	ACC4	N/A

Additional Option	Order Code	# of Motors per Power Source
 <p>Quick Connect Male and Female End (Recommended)</p>	QDISM	1 Motor

Power Options Group 11: Sonesse 30 RS485 (SDN), Sonesse Ultra 50 DC RS485 (SDN)

Power Sources (required, select one) Note: Use the Special Instructions Section of the order form to specify the Plug-In Cables.	Order Code	# of Motors per Power Source
 <p>SDN Power Panel</p>	SNDPP	10
24V Bus Power Supply (DC)	AMIP5	N/A



Motorization & Automation

SG Recargeable Control Options

Stealth Automation Remotes



Stealth 1 Channel Remote

White S1R



Stealth 16 Channel Remote

White S16R



Stealth 16 Channel Pad

White S16P

Stealth Smart Home Bridge



Stealth Bridge

Stealth Zigbee to Wifi Control Bridge

Order Code: SBRI

- App interface that allows you to customize each shade being controlled.
- iOS and Android compatible.
- Wireless network connection (2.4Ghz, 5Ghz, 802.11b/n/g only), no need to plug in to a router.

The Stealth Bridge is compatible with the following smart home platforms





Motorization & Automation

Somfy RTS Control Options

Somfy RTS Remotes



**Situlo RTS Remote
Pure 1 Channel**

White SRP1



**Situlo RTS Remote
Pure 5 Channel**

White SRP5



**Situlo 5 Variation
RTS Remote**

White SRV5



**Decoflex 1 Channel
RTS Wall Switch**

1 Chan. D1W



**Decoflex 5 Channel
RTS Wall Switch**

5 Chan. D5W



**Smoove 1/4 RTS
Wall Switch**

White S1W

White S4W



**Telis 1 Chronis
RTS**

Pure T1CP



Telis 16 Channel
Works with SmartThings

Pure T16P



**Thermo Sunis RTS
Sun Sensor**

White TSUS

RTS Smart Hubs: TaHoma



TaHoma

TaHoma RTS Smartphone and Tablet Interface Order Code: TRTSI

- App interface that allows you to customize each shade being controlled.
- iOS and Android compatible.
- Wireless network connection (2.4Ghz, 5Ghz, 802.11b/n/g only), no need to plug in to a router.

TaHoma is compatible with the following smart home platforms



TaHoma Ethernet Adapter

Ethernet Adapter for TaHoma

Order Code: EAT

- The TaHoma® Ethernet Adaptor adds an Ethernet LAN port to TaHoma, providing fast and stable internet connection.



Motorization & Automation

Somfy Hardwired Control Options

Somfy Zigbee Remotes



**Ysia 1 Channel
Zigbee Remote**

White YZR1



**Ysia 5 Channel
Zigbee Remote**

White YZR5

Somfy Zigbee Smart Hub



TaHoma Switch (Zigbee & RTS Controller)

TaHoma RTS Smartphone and Tablet Interface Order Code: TZSH **\$725**

The TaHoma® switch brings connectivity and advanced control to Somfy-powered shades. This hub can control up to 50 Somfy Zigbee products and 40 channels of Radio Technology Somfy® (RTS) motorized products. The TaHoma® app enables users to setup and configure their products, and access their smart shading from anywhere.

- iOS and Android compatible.
- Wireless network connection (2.4Ghz, 5Ghz, 802.11b/n/g only), no need to plug in to a router. Ethernet adapter optional.
- Supports Zigbee 3.0



**TaHoma Switch
Ethernet Adapter**

White TSEA



**Smart Plug – Zigbee
(Repeater)**

White SPZR



Motorization & Automation

Somfy Hardwired Control Options

RTS Interfaces and Repeaters



Z-Wave to RTS Interface

Beige ZRI



Universal RTS 16 Channel Interface

Beige URI



RTS Repeater

White RTSR

Hardwired Control Options



Momentary Paddle Switch with Plate

1 motor PS1



Maintained Double Pole, Double Throw Paddle Switch

2 motor PS2

(IGC) 4N1 - 3 pre-set positions per motor (SDN 2.0 – RS485 Compatible)



DecoFlex Dry Contact Keypad (3 intermediate positions)

white IGC6W



IGC RTS Receiver
Missing info for 1811492

3 motors IGCR



Individual-Group Control (IGC/4N1)

4 motors IGC4



Motorization & Automation

Somfy Digital Network (SDN)



Intelligent Automation

The following section provides a basic overview of Sun Glow's new intelligent automated shading systems. Selecting, configuring, and applying these systems requires knowledge that is above and beyond the skills required for implementing RTS and dry contact controlled systems.

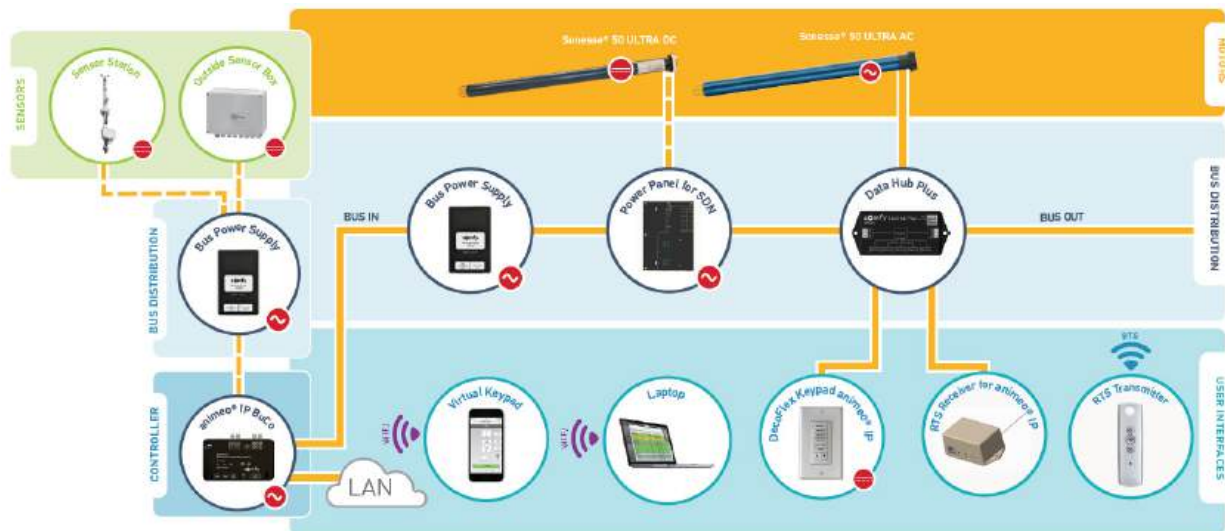
The Somfy Digital Network (SDN 2.0) is the latest generation of bus-line enabled Intelligent Tubular Motors and Smart Switch Controls. The SDN components are integrated into a cost effective system designed to operate a wide range of end products over a standard RS-485 network compatible with the latest home automation systems.

Please contact the Sun Glow technical department for assistance when utilizing the following systems.

Contact Us

To ensure better service, Sun Glow has implemented the following centralized e-mail address that is monitored regularly by the Sun Glow team.

Technical inquiries: support@mysunglow.com





Motorization & Automation

Somfy Digital Network (SDN) Control Options

Smart Switch Controllers (Programmable)



**6 Button –
DecoFlex Digital
Keypad**

White ID6W



**8 Button –
DecoFlex Digital
Keypad**

White ID8W



**RTS Receiver for
Stand-alone SDN**

White SMC7

Data Transfer Hubs and Connectors (RJ45 Connection Type)



**SDN Mini Data Hub
(3 Device Ports)**

Black MH3



**Data Hub (5 Device
Ports)**

White DH5



**SDN Room
Controller Hub (4
Motor Ports and 1
Device Port)**

Bone RH4



Data Panel

Black SDNDP



**ZbDMI —
ZigBee™ to Digital
Motor Interface**

White SMC1



**ZDMI – Z-Wave®
to Digital Motor
Interface**

White SMC5



**Somfy Connect™
UAI Plus**

White UAI



**Somfy Connect™
LTI**

Grey LTI



**Somfy Connect™
BMS Interface**

Black BMS

Limit Setting Tools (Required to Program SDN-RS485 Motors)



**Low Voltage
RS485 Motor
Limit Setting Cable**

White 485LVC



**RS485 Limit
Setting Tool
(Handheld)**

Yellow 485ST



**USB to RS485
Adapter Kit
(PC Connection)**

Black 485USB

Graphic Shades & Expression Wallpaper





Graphic Shades & Expressions Wallpaper

Custom Large-Format Digital Printing

Image Resolution

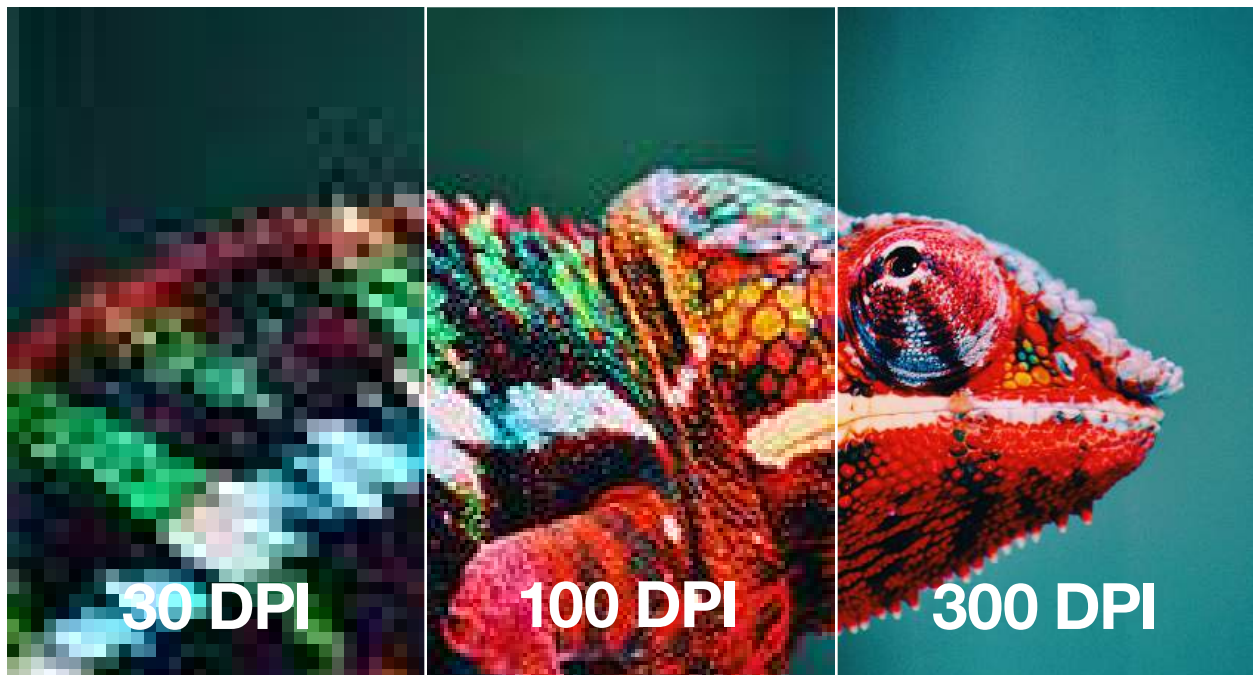
Understanding Image Resolution

When supplying artwork and images for print, you will often hear the words “high resolution” and “300dpi”.

DPI, or dots per inch is the terminology used when describing the resolution of a printed image. It indicates the number of dots in a printed inch. The printed image is of higher quality (in sharpness and detail) if the source image has lots of pixels (without having been upscaled).

An image may look great on your screen, however be completely unsuitable for print. For images to look great on a screen, they generally only need to be 72PPI (pixels per inch or PPI is used when dealing with screens instead of print), to look great in print up close they generally need to be 300DPI. In our experience 100DPI is the minimum image density for shades and wallpaper, but this depends entirely on the application and the requirements of the client. This is why we will often suggest preparing a printed sample to see if the image clarity is sufficient for the client.

Vector graphics do not use pixels and are ideal for drawings, logos, and other non-photographic images.



The above image is only an approximation for demonstration purposes, actual DPI not reflected.

Image Specifications:

Images should be at least 100DPI (dots per inch) at the intended print scale. Vector graphics, or images at 300DPI or higher are ideal.

We accept files in:

TIFF, JPEG, Photoshop (PSD, EPS), Vector files from Illustrator, Corel Draw, Macromedia Freehand, Quark Xpress, InDesign, and Adobe Acrobat (PDF). Contact customer service for assistance with sending us your files.



Graphic Shades & Expressions Wallpaper

Custom Large-Format Digital Printing

Graphic Shades Details



What are Graphic Shades?

Promotional images for commercial clients, banners, signage, pop-up displays, and personalized shades.

Technical Details

What size can images be printed?

We can print an unseamed image on graphic shades up to 117" (2.97m) wide to the length of the roll. With multiple panels of fabric the image size is virtually limitless.

Compatible Fabrics and Colours:

Solid fabrics like vinyl will yield the best results with respect to colour clarity and fine detail for graphic shades. Also providing excellent results are sunscreen fabrics with the smallest openness factors such as 1% and 3%.

Colours show best on fabrics that are white or similar. Colours in beige to black tones will yield less vivid colours. For the complete list of graphic shade compatible fabrics, please refer to the [fabric specifications chart](#) or the Sun Glow fabric catalogues which include a {GS} icon on each fabric swatch where the fabric and colour would be appropriate for Graphic Shades.



Graphic Shades & Expressions Wallpaper

Custom Large-Format Digital Printing

Expressions Wallpaper Details



Expressions Wallpaper

The Expressions line is an extension of Sun Glow's popular Graphic Shade diVision. It enables designers to create unique custom designs for clients that reflect their personal style or branded messages on wallpaper. Expressions allows you and your clients to be creative. Match bedspreads, upholstery, decorative pillows, and more. Or create a look that cannot be imitated. Call customer service for more information.

Our commercial grade wallpaper is available in various textures and compositions at affordable price points.

Technical Details

What size can images be printed?

Wallpaper can be printed up to 53" wide and up to the full length of the roll. Seamless images any size can be achieved by aligning the panels of wallpaper.

What is the Minimum Order Quantity for Expressions Wallpaper?

We fabricate in-house, hence there are no minimum order quantities for Expressions Wallpaper. This allows our clients to cover an entire room, an accent wall, or simply one small area.



Graphic Shades & Expressions Wallpaper

Custom Large-Format Digital Printing

Wallpaper Media Comparison

	Composition	Finish	Installation	Removability	Applications	Longevity*	Safety
Phototex	Polyester	Fabric	Peel and stick, easy to install	Can be repositioned	Walls, doors, windows, interior flat surfaces	10 Years indoors, 6–12 months outdoors	Flame resistant
3M IJ35-20	Vinyl	Raised texture	Peel and stick, professional installation recommended	Will damage walls if removed	Walls, doors, windows, interior flat surfaces. Compatible with humid environments.	5 Years	Flame resistant
Mactac Roodle	Vinyl	Raised texture	Peel and stick, easy to install	Can be removed up to 6 months from install and reinstalled in another location	Interior flat surfaces. Ideal for temporary applications, becomes more permanent over time.	2 Years removable, 3 years permanent	Flame resistant

*Longevity is an estimate based on ideal conditions. Temperature, humidity, and other factors may shorten the lifespan of the wallpaper.

**Expert installation available, each project quoted. Design fees may be added if artwork requires customization/editing.

Additional Wallpaper Types & Textures Are Available on Request for Situations Such As Cold and Damp Conditions or Healthcare Environments

Key Points to Consider:

- Surface should be smooth, clean, and dry prior to installation. Wallpapers will only adhere properly to surfaces that have been primed and painted. A low VOC paint is recommended for the best adhesion of peel and stick wallpapers. Painted walls should dry for at least one week prior to wallpaper installation, 30 days recommended for best results.
- All wallpapers can be optionally printed with spot varnish (quoted).
- Lamination is recommended to be added for outdoor graphics (to be quoted).
- Images should be at least 100 ppi (pixels per inch) at the intended scale for printing. 300 ppi or higher is recommended.

Cleaning Instructions:

Use a damp sponge with water, a very small amount of soap can also be used. Do not use any harsh chemicals or abrasive cleaning materials as the printing can be damaged.

How to Calculate the Price for Expressions Wallpaper:

Surface area width must be rounded up to a multiple of 54". Convert that total to feet and multiply by your length in feet to calculate your square footage. Multiply the total square footage required by the square foot price of the applicable wallpaper to calculate the total MSRP. Design work to be quoted.

For more details on image requirements, please go to mysunglow.com/products/expressions-wallpaper

Fabric, Hem, & Finished Options





Fabric, Hem, and Finish Options

Fabric Specifications

Fabric	Light Penetration	Price Group	Composition	Fabric Width	FR	Green	Anti microbial	Sound Absorption	Reflect	Roller Shade	Panel Track	Roman	Part of Set	Graphic Shades	Rail road
--------	-------------------	-------------	-------------	--------------	----	-------	----------------	------------------	---------	--------------	-------------	-------	-------------	----------------	-----------

Sun Screens

CS 101	1%	3	25% Polyester, 75% PVC	118"	•	•	•			•	•	•		•	•
CS 103	3%	2	25% Polyester, 75% PVC	118"	•	•	•			•	•	•		•	•
CS 105	5%	2	25% Polyester, 75% PVC	118"	•	•	•			•	•	•		•	•
DX 201	1%	4	25% Polyester, 75% PVC	118"	•	•	•			•	•	•		•	•
DX 203	3%	3	25% Polyester, 75% PVC	118"	•	•	•			•	•	•		•	•
RS 401	1%	3	30% Polyester, 70% PVC	118"	•	•	•			•	•	•		•	•
RS 403	3%	2	30% Polyester, 70% PVC	118"	•	•	•			•	•	•		•	•
RS 405	5%	2	30% Polyester, 70% PVC	118"	•	•	•			•	•	•		•	•
RS 403 Reflect	3%	4	30% Polyester, 70% PVC	118"	•	•	•		•	•	•	•		•	•
RS 403 Fiberglass	3%	4	30% Fiberglass + 70% PVC	118"	•	•	•			•	•	•		•	•
RS 405 Fiberglass	5%	4	30% Fiberglass + 70% PVC	118"	•	•	•			•	•	•		•	•

Eco/Sustainable

Apex View	2-3%	7	100% PES Trevira CS	120"	•	•				•	•	•	•	•	•
EPT 301AC	1%	7	100% Trevira CS	98"	•	•		•		•	•			•	•
EPT 301AC*	1%	7	100% Trevira CS	118"	•	•		•		•	•			•	•
ELT 303	3%	6	100% Trevira CS	94"	•	•				•	•			•	•

Privacy

Astratta	Privacy	5	100% Polyester	79"		•				•	•				
Bling	Privacy	4	100% Polyester	83"		•				•	•				
Chevron	Privacy	4	100% Polyester	79"		•				•	•				
Cirque	Privacy	3	100% Polyester	79"		•				•	•				
Cottonwood	Privacy	0	100% Polyester	118"		•				•	•				•
Denim Privacy	Privacy	2	100% Polyester	118"		•				•	•		•		
Glow	Privacy	3	100% Polyester	79"		•				•	•				•
Lavish	Privacy	5	100% Polyester	79"		•				•	•				
Merino	Privacy	2	100% Polyester	82"		•				•	•	•			
Mist	Privacy	5	100% Polyester	108"		•				•	•	•	•		
Mykonos	Privacy	4	100% Polyester	108"						•	•	•			
Petals	Privacy	2	100% Polyester	83"		•				•	•				
Rustica Privacy	Privacy	1	100% Polyester	110"		•				•	•	•	•		
Santorini	Privacy	4	100% Polyester	108"		•				•	•	•			
Satin Privacy	Privacy	4	100% Polyester	110"	•	•				•	•	•	•		
Wool Privacy	Privacy	2	100% Polyester	94"		•				•	•		•		

Transparent

Bali	Transparent	2	100% Polyester	82"		•				•	•	•			
Boardwalk	Transparent	1	100% Polyester	113"		•				•	•	•			
Lagos	Translucent	3	100% Polyester	108"		•				•	•	•			
Linen	Transparent	1	100% Polyester	118"		•				•	•	•			
Reed	Transparent	4	100% Polyester	108"		•				•	•	•	•		
Silves	Translucent	4	100% Polyester	110"		•				•	•	•			
Wave	Transparent	8	100% Polyester	90"		•				•	•	•			






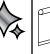
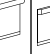
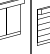



Fabrics marked with a can be found in the Designer section in the Sun Glow Fabric Collections sample books.

Fabrics marked with a are available by special order only and are not typically kept in stock.



Fabric, Hem, and Finish Options

Fabric Specifications


Fabric	Light Penetration	Price Group	Composition	Fabric Width	 FR	 Green	 Anti microbial	 Sound Absorption	 Reflect	 Roller Shade	 Panel Track	 Roman	 Part of Set	 {GS} Graphic Shades	 RR Rail road
--------	-------------------	-------------	-------------	--------------	--	---	--	--	--	--	---	---	---	---	--

Translucent

Earth2	Translucent	4	100% Polyester	108"		•				•	•	•			
Faro	Translucent	4	100% Polyester	72"		•				•	•	•			
Flicker Translucent	Translucent	5	100% Polyester	94"		•				•	•		•		
Lattice Translucent	Translucent	3	100% Polyester	108"		•				•	•	•	•		
Lima Translucent	Translucent	2	100% Polyester	122"		•				•	•	•	•		
Peru Translucent	Translucent	1	100% Polyester	118"		•				•	•	•	•		
Sagres	Translucent	3	100% Polyester	108"		•				•	•	•			

Opaque

Apex Opaque ☆	Opaque	10	100% Polyester Trevira CS	94"	•	•				•	•	•	•		•
Denim Opaque	Opaque	6	100% Polyester	118"		•				•	•	•	•		•
EZ 900	Opaque	3	100% Polyester	118"	•	•				•	•			•	•
Flicker Opaque	Opaque	9	100% Polyester	94"		•				•	•	•	•		
Gaia	Opaque	2	100% Polyester	118"		•				•	•	•			
Lattice Opaque	Opaque	5	100% Polyester	108"		•				•	•	•	•		
Lima Opaque	Opaque	6	100% Polyester	120"		•				•	•	•	•		
Lunar	Opaque	1	100% Polyester	98"		•				•	•	•		•	
Peru Opaque	Opaque	2	100% Polyester	118"		•				•	•	•	•		
Satin Opaque	Opaque	8	100% Polyester	110"						•	•	•	•		
Vinyl 4 Ply	Opaque	1	3ply PVC, 1ply fiberglass	72"	•	•	•			•	•			•	•
Vinyl 4 Ply Wide	Opaque	5	3ply PVC, 1ply fiberglass	98"	•	•				•	•			•	•
Vinyl 4 Ply Wide	Opaque	5	3ply PVC, 1ply fiberglass	120"	•	•				•	•			•	•
Willow	Opaque	1	100% Polyester	102"		•				•	•	•			
Wool Opaque	Opaque	5	100% Polyester	94"		•				•	•	•	•		

Fabrics marked with a  can be found in the Designer section in the Sun Glow Fabric Collections sample books.

Fabrics marked with a ☆ are available by special order only and are not typically kept in stock.




Fabric, Hem, and Finish Options

Green Materials Information

There is a move toward specifying and building healthy buildings and interiors that offer superior indoor air quality and energy efficiency. According to the Canadian Green Building Council, green building is the practice of increasing the efficiency of buildings and their use of energy, water and materials, and reducing the impact buildings have on the environment and human health. These goals are achieved through improving building design, construction, operation, maintenance and removal. Sustainable design focuses on the use of natural materials, reduced operating costs and improved occupant health as a result of improved indoor air quality. To be environmentally friendly, buildings are constructed from materials that reduce our impact on the environment.

Sun Glow continues to source quality fabrics that are environmentally friendly, improve energy efficiency and reduce operating costs. The use of automation with sun sensor controls, further enhances the energy efficiency of window treatments and increases their return on investment.

Sun Glow's customers have their own reasons for requiring "Green" fabrics and the specifications they must meet for their application. "Green" has a different definition for different suppliers of our fabric lines. Where you see the  icon on our fabric labels, it indicates that they have a green certificate. [Certificates can be found on our website.](#)



If a product is labeled as Oeko–Tex certified it is completely free from harmful chemicals and safe for human use. To attain Oeko–Tex Standard 100 certification, the fabric has been tested and certified to be free from harmful levels of more than 100 substances known to be harmful to human health.



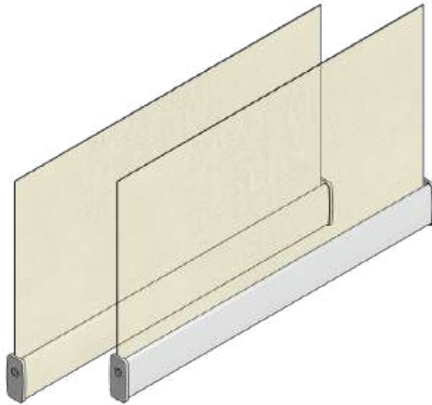
The GreenGuard Certification indicates that the products emit little or no harmful by–products into indoor environments, thereby providing improved indoor air quality leading to healthier occupants.



Fabric, Hem, and Finish Options

Hem Options

Accubar 2.1 & Wrapped Accubar 2.1

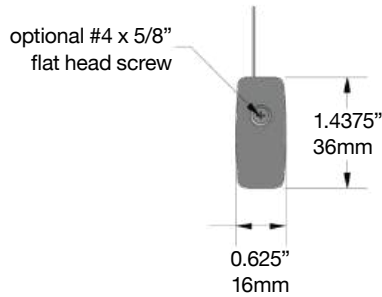


- Aluminum hem bar with contemporary clean look.
- The Accubar 2.1 can be wrapped with shade cloth on the interior facing side.

Order Code:

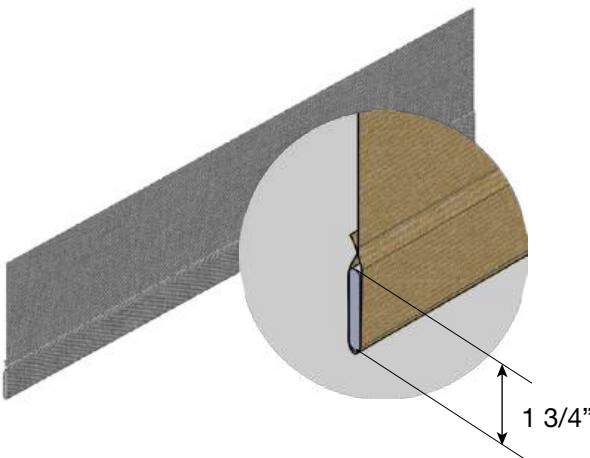
Accubar 2.1: AB2

Wrapped Accubar 2.1: WA2



Accubar 2.0	End Cap
White	White
Anodized	Grey
Black	Black
Linen	Linen

Plain Hem



- 1.75" welded or sewn pocket with aluminum slat insert.
- Sides are left unsewn unless otherwise specified.
- Compatible with blackout channel.

Order Code:

Plain Hem: PH

Plain Hem w/ Stitched Sides: PHS

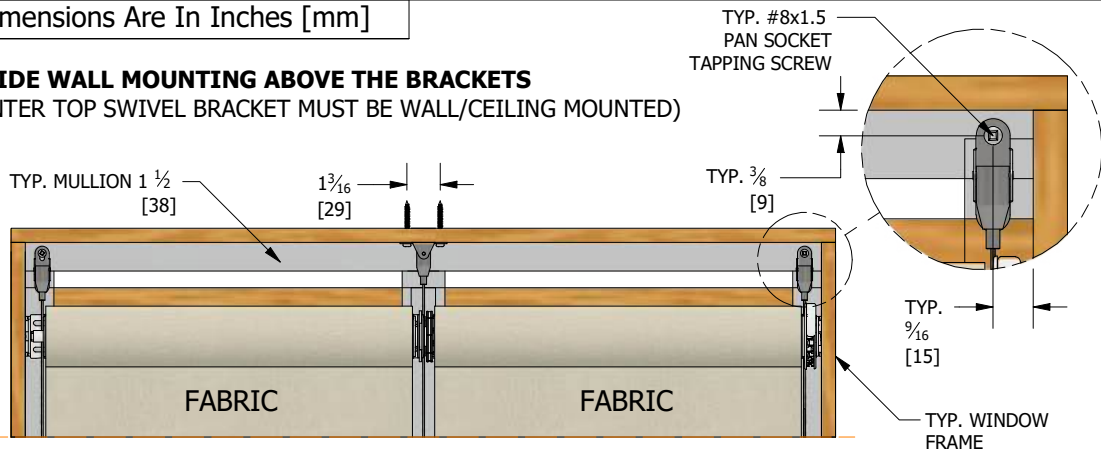


Fabric, Hem, and Finish Options

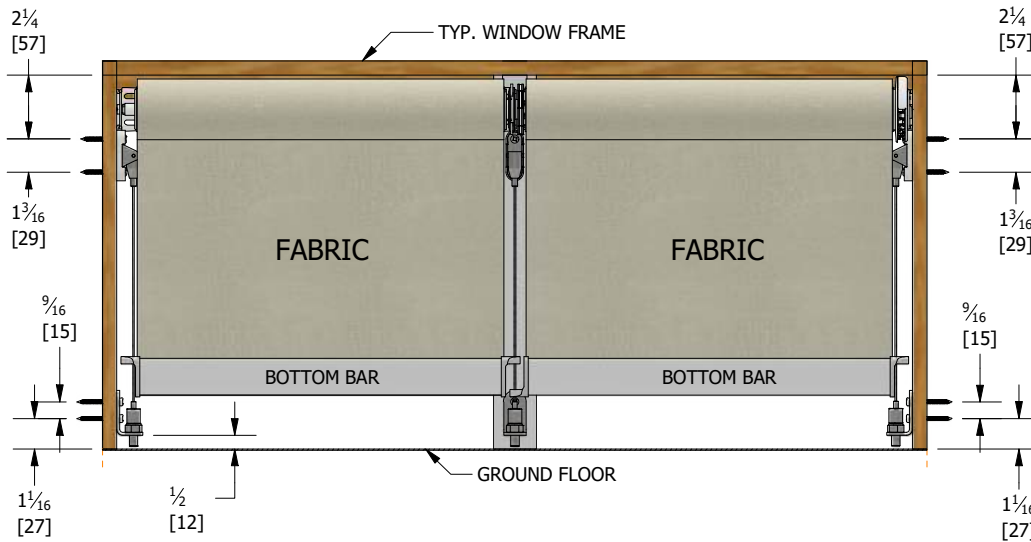
Wire Guide

All Dimensions Are In Inches [mm]

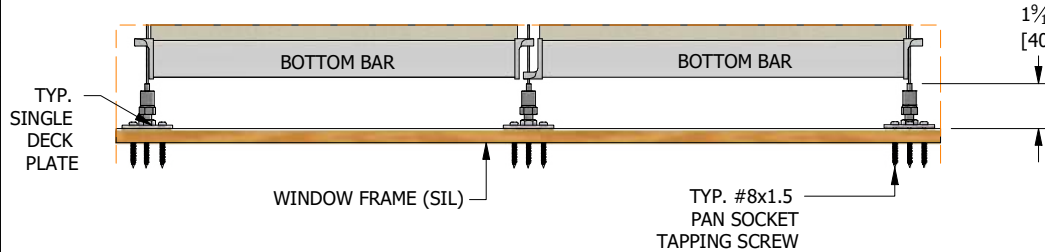
INSIDE WALL MOUNTING ABOVE THE BRACKETS (CENTER TOP SWIVEL BRACKET MUST BE WALL/CEILING MOUNTED)



OUTSIDE LATERAL MOUNTING BELOW THE BRACKETS (CENTER TOP SWIVEL BRACKET MUST BE WALL/CEILING MOUNTED)



OPTIONAL: DECK PLATE FOR FLOOR MOUNTING



SCALE:	1 / 6	DWG.#:	OR-MD-SB-01	DATE:	2022-11-18	REV:	5	DWG.BY:	R.G.
--------	-------	--------	-------------	-------	------------	------	---	---------	------



Fabric, Hem, and Finish Options

Wire Guide

All Dimensions Are In Inches [mm]

COMPATIBLE SYSTEMS:

- OPEN ROLL (40mm, 55mm & 75mm SLIM LINE BRACKETS)
- COMPACT CURVED CASSETTE
- CURVED CASSETTE
- 3 SQUARE FASCIA
- 4 SQUARE FASCIA
- DUAL OPEN ROLL
- DUAL SQUARE FASCIA

INVERTIBLE BAR END CAPS

TOP SWIVEL BRACKET (MOVEMENT)

WIRE FEEDING END CAP DESIGN

NOTE: OPEN ROLL SHOWN AS AN EXAMPLE.

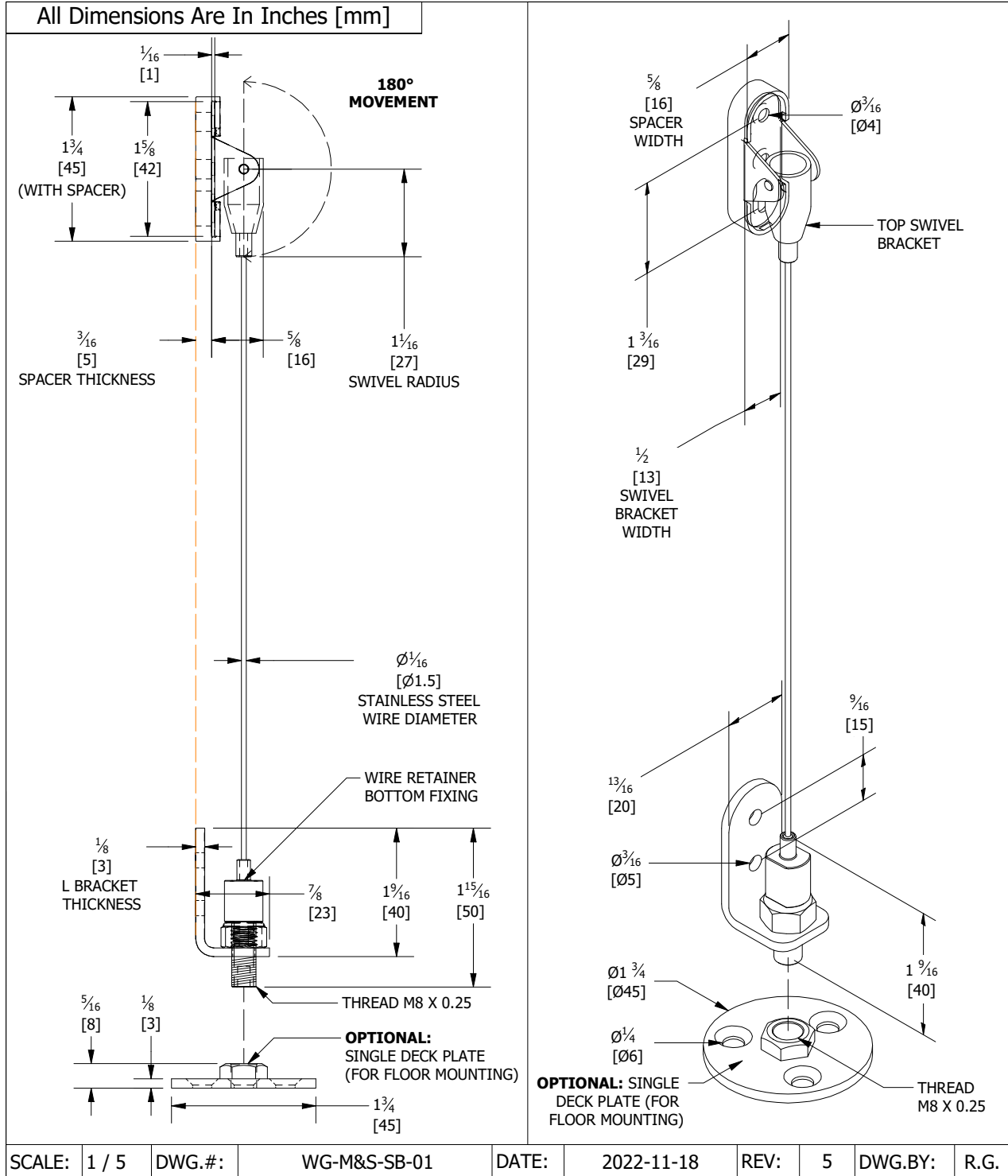
FEATURES	BENEFITS
Minimal Base Rail Movement	Wire Guides are normally installed into the areas with long drop blinds or areas exposed to winds or draughts, such as from building A/C vents. The base rail is fitted with special end caps that encapsulate a fixed vertical wire that restrains the base rail from lateral movement.
Simple and Safe Installation	Wire guide system is designed to be ceiling, wall or laterally mounted.
Versatility	Can be adapted to existing roller shades systems without having to cut down tube or fabric. Bottom bar must be Accubar 2.0.
Compatibility	Works with a wide variety of Sun Glow systems. Wire Guides can be used in conjunction with Chain, Lift Assist Mechanisms, Zero Gravity and Motorized (AC/DC) Drives.
Wire Feeding End Cap Design	Allows the Bottom Bar to be easily fastened to the Stainless Steel Wire with the Slanted Gap on the Bottom Bar End Caps.
Invertible End Caps	Wire bottom Bar End Caps, can be used singularly on individual blinds or a inverted pairs when sharing a common center wire.
Ball Locking Mechanism	Allows Stainless Steel Wire to easily insert and lock into the Top Swivel Bracket and Wire Retainer Bottom Fixing.

SCALE:	1 / 3.5	DWG.#:	WG-F&B-SB-01	DATE:	2022-11-25	REV:	6	DWG.BY:	R.G.
--------	---------	--------	--------------	-------	------------	------	---	---------	------



Fabric, Hem, and Finish Options



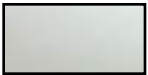

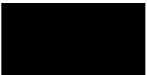
Wire Guide





Fabric, Hem, and Finish Options

Metal Finish Colour Chart

					
	White	Linen	Anodized/ Grey	Brown	Black
Vision Roller Shade Systems					
Vision™ V-84 & V-102	•	•	•	•	•
Vision™ Bracket Covers	•	•	•	•	•
Roller Shade Systems					
Open Roll Brackets & Covers	•	•	•		•
3" and 4" Square Fascia & End Caps	•	•	•		•
Curved Cassette & End Caps	•	•	•		•
Compact Curved Cassette & End Caps	•	•	•		•
Square Cassette	•	•	•		•
Recessed Pocket Enclosures					
Hanger & Closure (both 4" and 5")	•		•		
Dual Shades					
Fascia & End Caps	•		•		•
Nimbus					
Springbox	•		•		•
Springbox Endcaps	•				•
Panel Track					
3, 4, and 5 Channel Track	•				
Light Shelf					
Light Shelf Frame	•		•		•
Blackout Side & Bottom Channel					
Blackout Channel	•		•		•
Hems					
Accubar & End Caps	•	•	•		•