

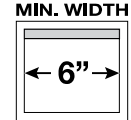
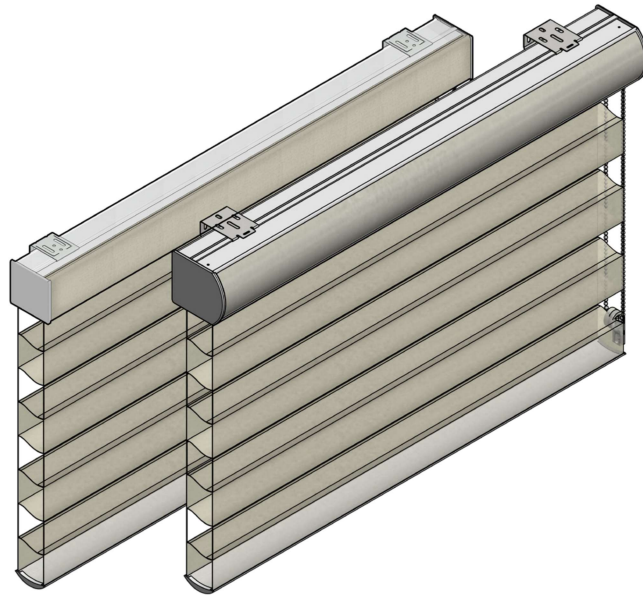


# Illusions



# Illusions

## Features and Benefits



### Features & Benefits

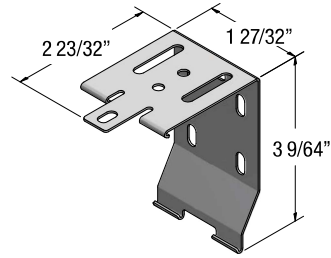
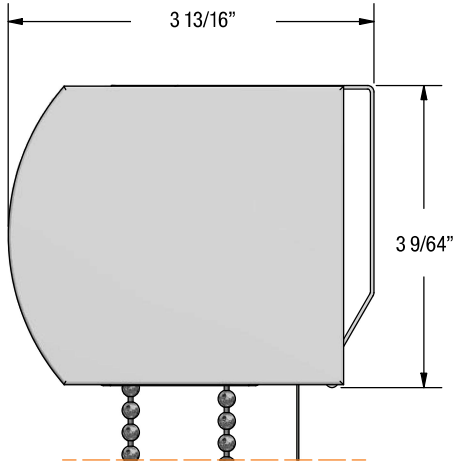
- The Illusions system combines transparent fabric with opaque or translucent vanes for total control over privacy and light filtering.
- Universal bracket provides easy installation for both ceiling and wall mount applications.
- Minimum width varies based on motor choice. Refer to [automation section](#).
- Plastic Bead loop available white, linen, grey and black. Stainless Steel loop is also available
- Cassettes available with fabric wrap option for complete coordination. Fabric wrap is comprised of the opaque or translucent vanes of the fabric.
- Curved Cassette available in white, anodized, linen, brown, and black with matching end caps.
- Square Cassette available in white, anodized, linen, and black with matching end caps.
- Bottom bar does not allow light penetration and features a levelling weight system.
- Illusions bottom bar available in white, grey, and linen.



# Illusions

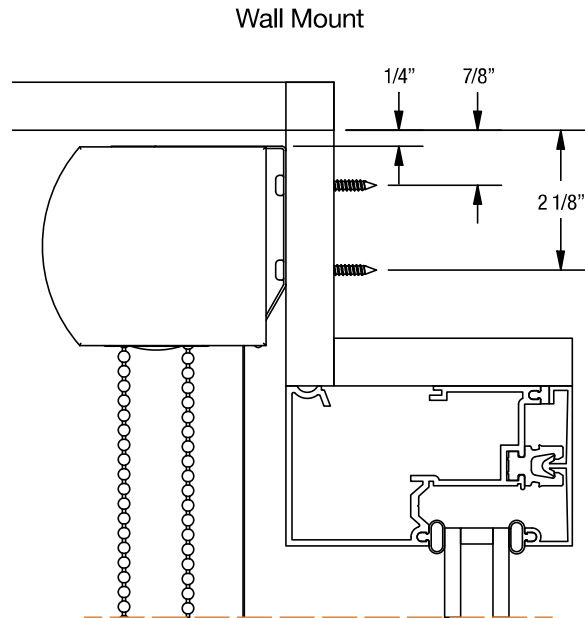
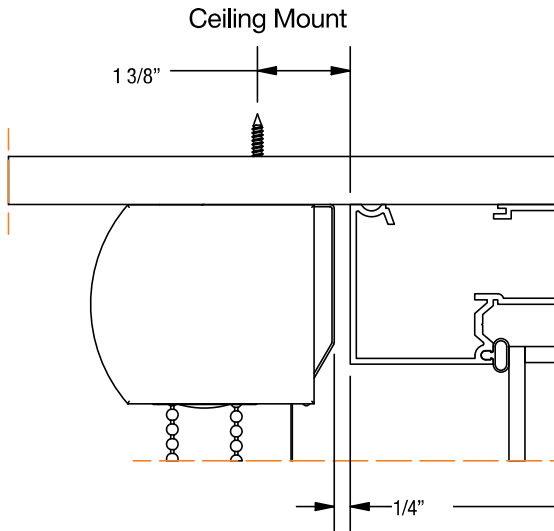
## Mounting Details / Curved Cassette

### Dimensions & Overview



Brackets Required By Width					
Shade Width	<48"	48"-72"	72"-108"	108"-144"	>144"
# of Brackets	2	3	4	5	6

### Mounting Specifications

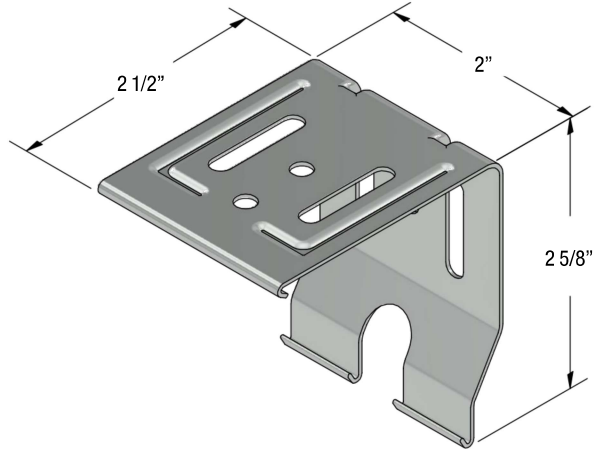
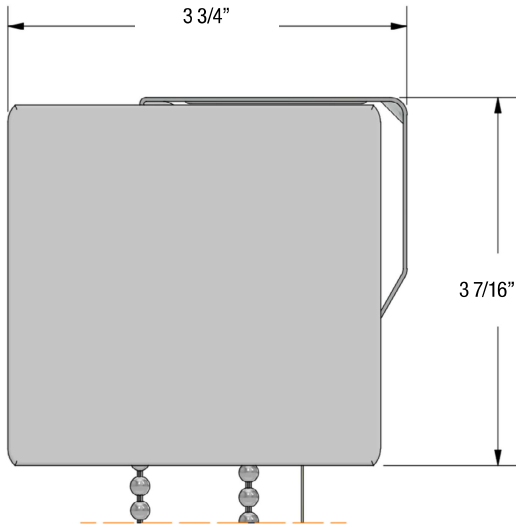




# Illusions

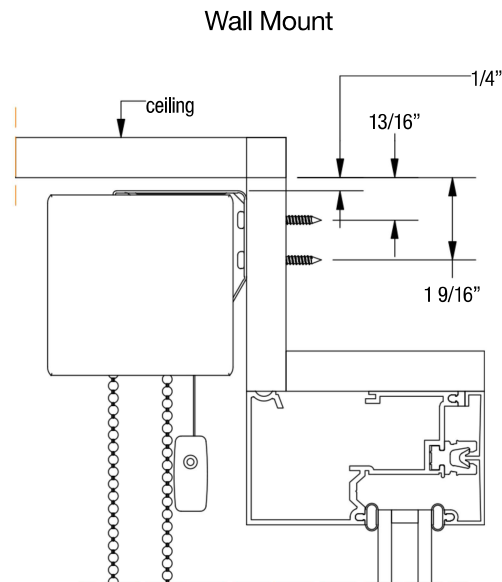
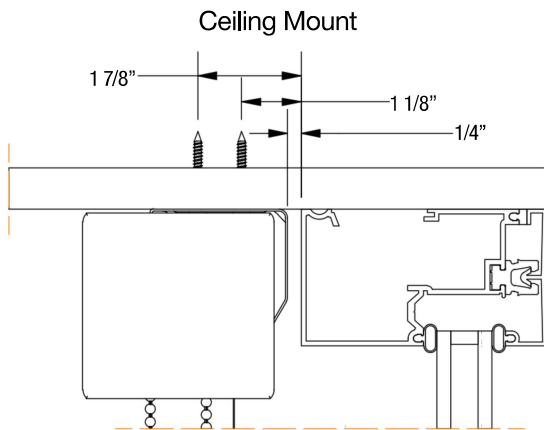
## Mounting Details / Square Cassette

### Dimensions & Overview



Brackets Required By Width					
Shade Width	<60"	60"-96"	96"-120"	120"-148"	>148"
# of Brackets	2	3	4	5	6

### Mounting Specifications



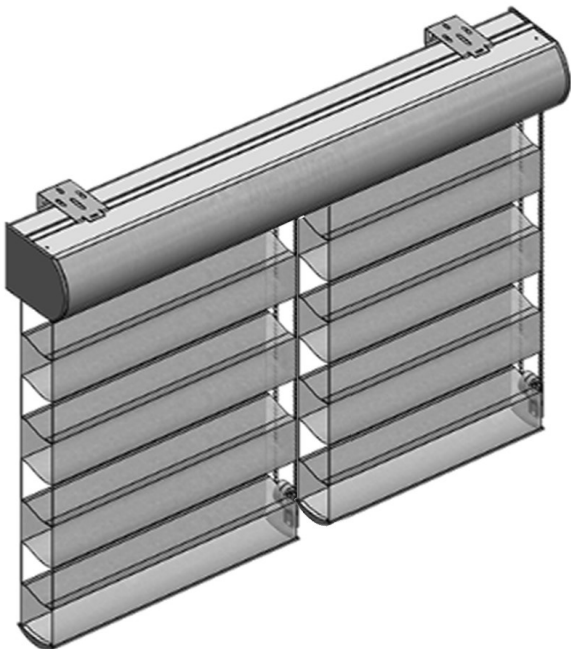


# Illusions

## Multi-In-One Shades

### Configurations

Shades can be configured to have multiple shades within a single piece of valance.



#### Notes:

- Fabric wrapping is only available in widths that match or are narrower than the fabric width, unless the fabric can be railroaded.

#### Operation:

- Each shade can have drive on left or right
- Compatible with chain, motor

#### Limitations:

- maximum of 3 shades in a single valance
- each individual shade must meet limitations