

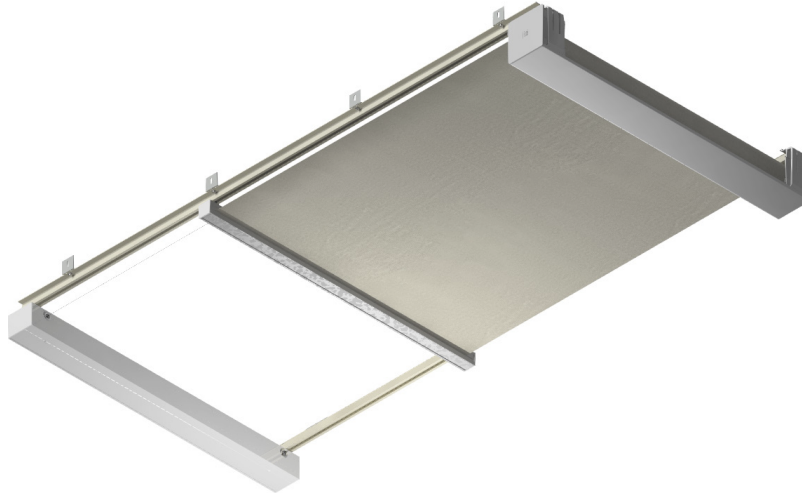


Nimbus Skylight Shades



Roller Shades

Operating System: Nimbus SkyLight Shade



Light Gaps				
System	Motor	Idle End	Drive End	Min Width
V-84 or V-102	Sonesse 30 RTS Sonesse 30 RS485 (SDN)	11/16" ± 1/8"	11/16" ± 1/8"	22"
	Star or Round Head: Sonesse 50 RTS Sonesse Ultra 50 RTS Sonesse 50 WT (non RTS) Sonesse Ultra 50 RA-WT Sonesse 50 RS485 (SDN) Sonesse Ultra 50 RS485 (SDN)	1 1/8" ± 1/8"	1 1/8" ± 1/8"	36"

Features & Benefits

- Your choice of Vision V-84 or V-102 front and return fascia paired with the spring box. Spring box and cassettes are available in two colours
- Uses Sun Glow's Sky Bar for extra durability. Sky Bar available in anodized finish.
- White guide rails allow bottom bar and fabric to sit close to window glazing during operation. During temperature changes, the guide rails allow air to escape around the system.
- Optional support bars available to reduce fabric sagging on larger shades.
- System can be installed at any angle.
- Minimum 6" mounting depth is required.
- Choose from Sun Glow's collection of exclusive roller shade fabrics.
- Each discrete, unintrusive tension cable unwinds effortlessly as the shade moves.
- Cable connectors are pre-attached to ensure the bottom bar can be adapted easily to the system.
- The concealed springs on each side allow the shade to have an even pull force. The constant tension applied on both sides keep the bottom bar balanced and the fabric taut as the shade is operated.
- Symmetrical light gaps for a balanced appearance.



LIGHT GAP MAY INCREASE when width to height ratio is 1:2.5 or greater

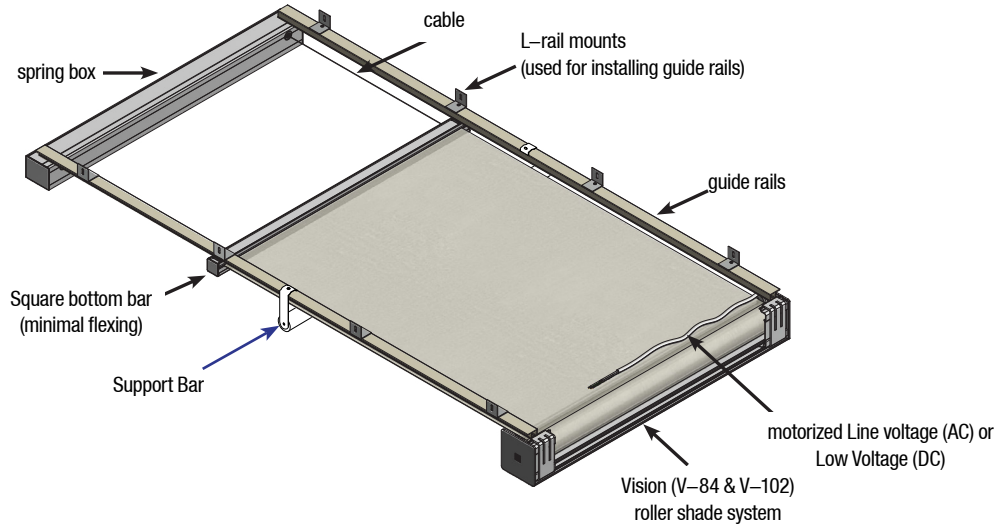
Exclusively available through SG Online, go to: orderforms.mysunglow.com



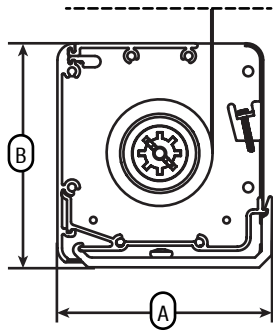
Roller Shades

Mounting: Nimbus Skylight Shade

Nimbus Part Identification



Nimbus V-84 & V-102 Dimensions



	A	B
V-84	3 1/4"	3 5/16"
V-102	4 1/8"	4"

Nimbus V-84 & V-102 Finishes

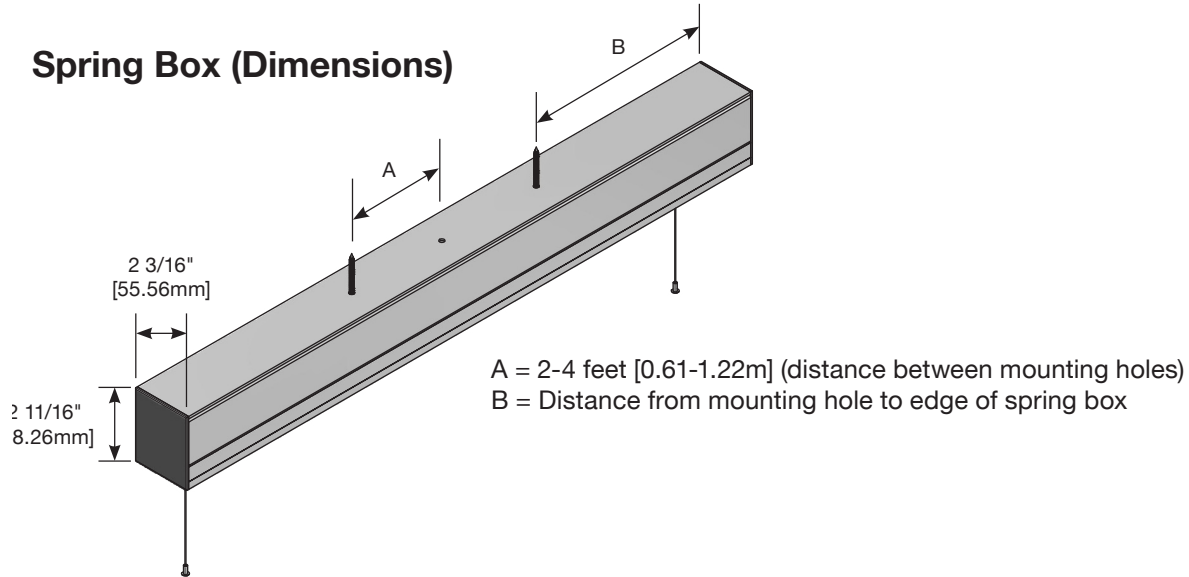
	White	Anodized/ Grey
Vision™ V-84 & V-102	✓	✓
Vision™ Brackets (Metal)		✓
Vision™ Bracket Covers (Plastic)	✓	✓
Atlas Spring Box (Aluminum)	✓	✓
Atlas Spring Box End Caps (Plastic)	✓	
Blackout Channel (Aluminum)	✓	✓



Roller Shades

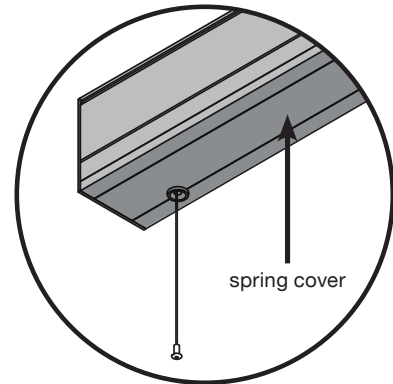
Operating System: Nimbus Skylight Shade

Spring Box (Dimensions)

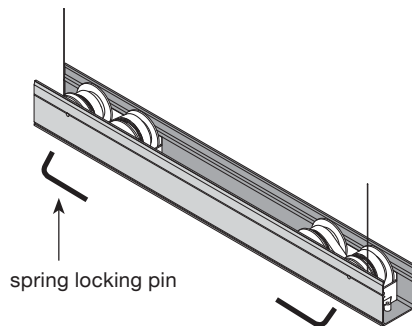


Spring Box

- The cable exit holes on the spring cover allow each cable to unwind effortlessly as the shade moves. It also makes the cover easy to remove if the product needs to be serviced.
- Each Nimbus Spring Box is provided under tension with the cable connectors pre-attached by Sun Glow to ensure the bottom bar can be adapted easily to the system.



Vulcan Spring Assembly



- The Vulcan springs on each side allow the shade to have an even pull force. The constant tension applied on both sides keep the bottom bar balanced and the fabric taut as the shade is operated.
- Each Vulcan spring is secured and concealed inside the spring box.
- Spring locking pins are used to hold the cables under tension during installation.
- Caps are included to cover spring locking pin holes after configuration.

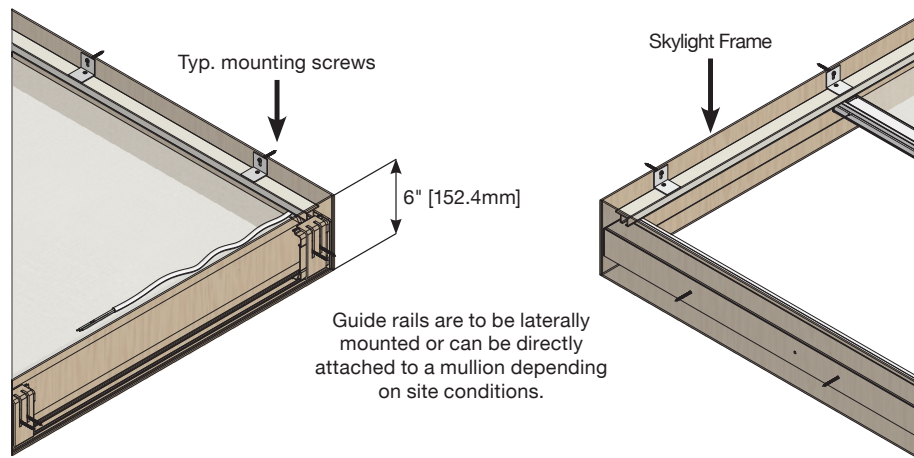


Roller Shades

Operating System: Nimbus SkyLight Shade

Mounting Specifications

- Nimbus System must be installed parallel to the skylight window frame in order to function properly. As skylight openings are not always square, shimming may be required.
- Nimbus System should be mounted away from inner surface of the skylight glazing for proper air flow. Water leakage and condensation buildup will be a factor if the skylight window is not properly sealed.
- The spring box and roller shade system must be ceiling mounted inside the frame.



At least 6" [152.4mm] of mounting depth is required to properly install the Nimbus Shade System.

