

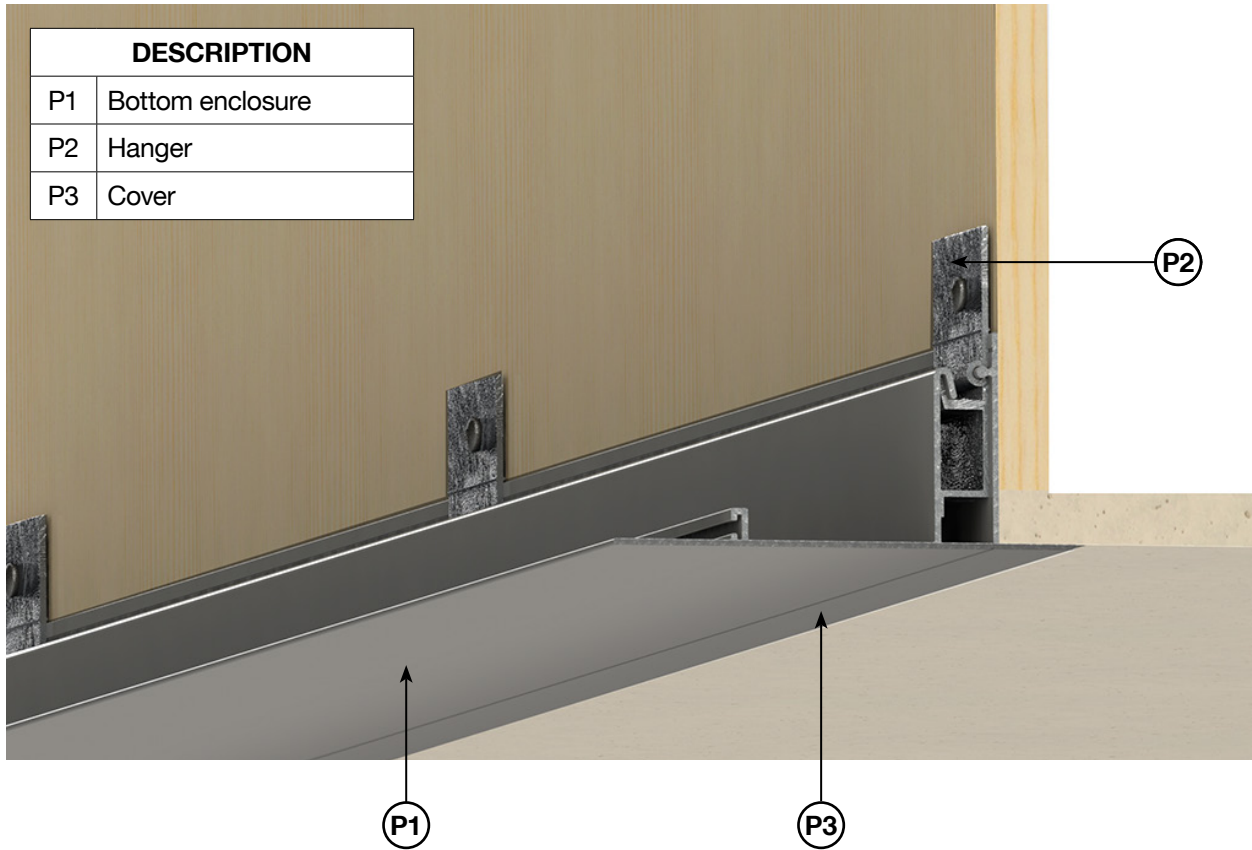
Recessed Pocket Enclosure





RECESSED POCKET ENCLOSURES

Hanger & Closure: Features & Benefits

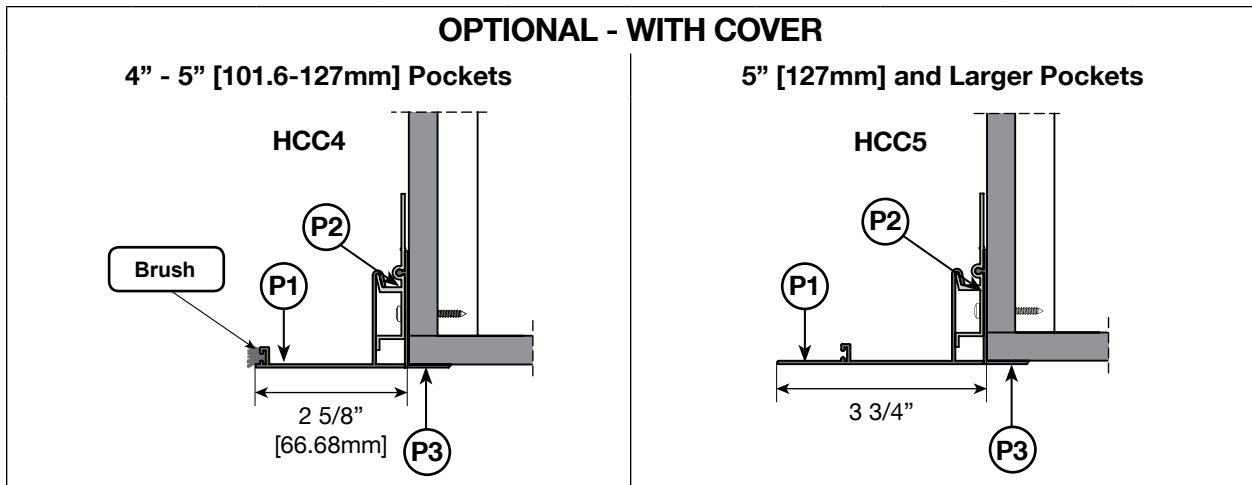
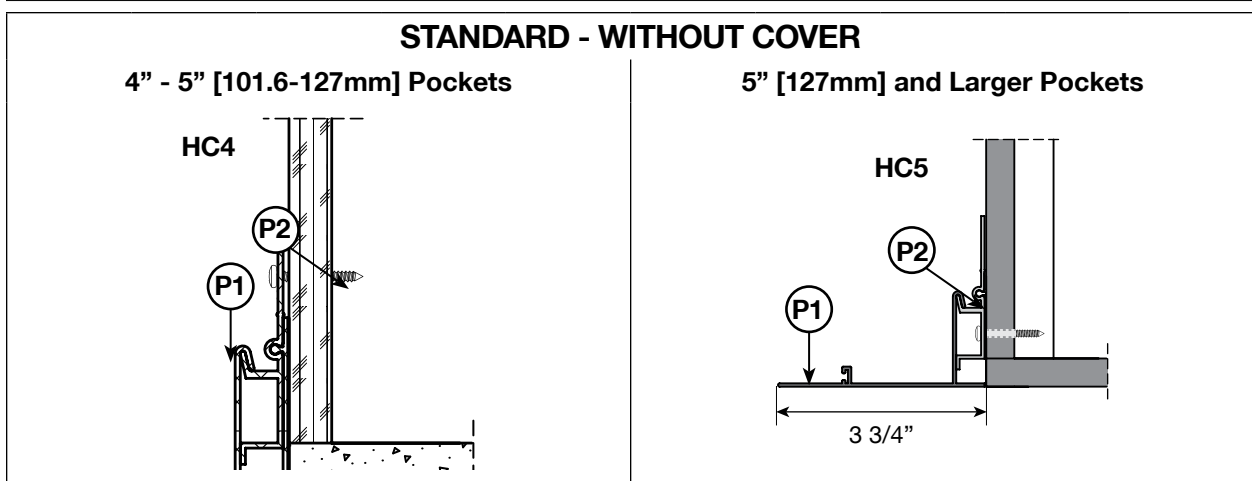


FEATURES	BENEFITS
Solid Design	All components are made of commercial grade aluminum
Removable Bottom Enclosure	Conceals roller and components for a seamless, integrated look and easy access for shade maintenance
Optional Cover	Cover provides a finished corner where the blocking meets the ceiling
System Compatibility	Compatible with manual and automated systems
Enclosure Leveling	Hangers installed along the pocket edge make it easier to level the bottom enclosure with an irregular pocket
Colour Options	White or anodized



RECESSED POCKET ENCLOSURES

Hanger & Closure: Cofigurations



When bottom enclosure is cut down a brush strip will be inserted by Sun Glow to protect the fabric from the cut edge.

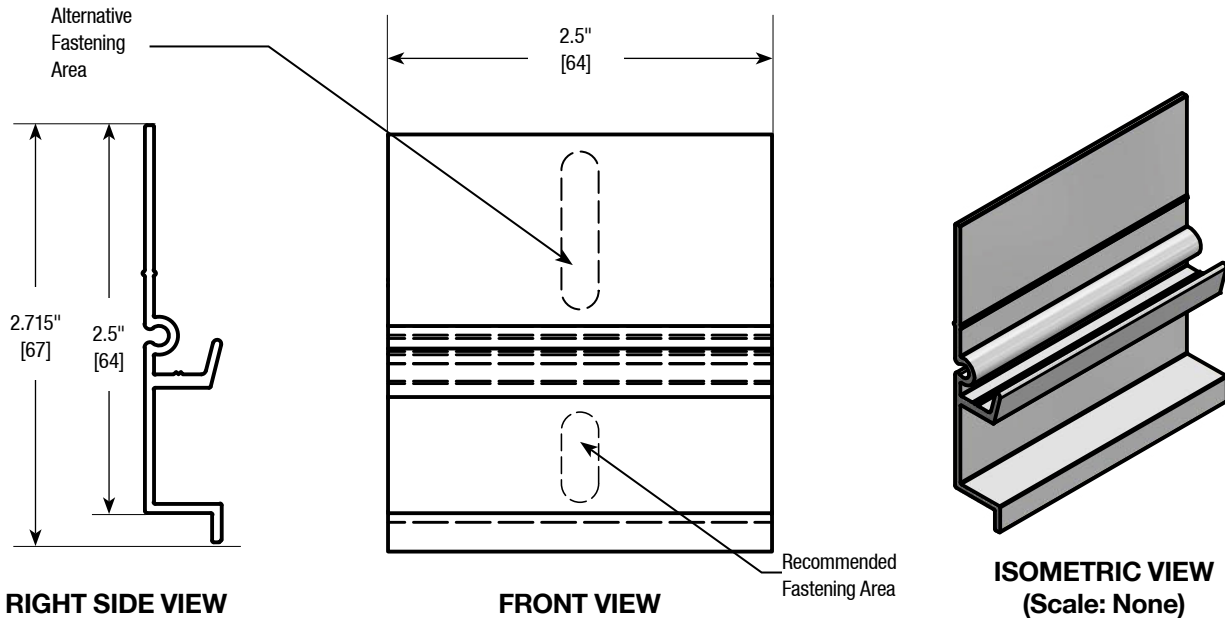
SCALE:	1:2.25	DWG NUMBER:	HC-CON-01	DATE:	03/03/2017	REV:	0	DRAWN BY:	M. E.
--------	--------	-------------	-----------	-------	------------	------	---	-----------	-------



RECESSED POCKET ENCLOSURES

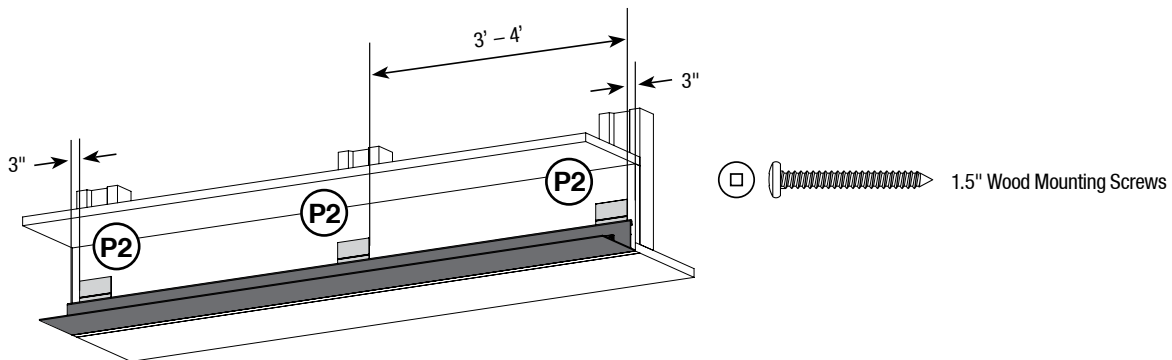
Hanger & Closure: Mounting Details

HANGER DIMENSIONS & SPACING



With cover: pre-drill cover before installation if required. Hangers are slid onto cover and do not need to be pre drilled (depending on site conditions).

MOUNTING OVERVIEW



Hangers (P2) are provided as a standard. Each hanger should be placed 3" [76.2mm] from either end of the pocket. Additional hangers should be placed every 3' - 4' [0.91-1.22 M] evenly spaced along the pocket wall.

1.5" [38.1 mm] wood mounting screw is provided with each Hanger (P2).



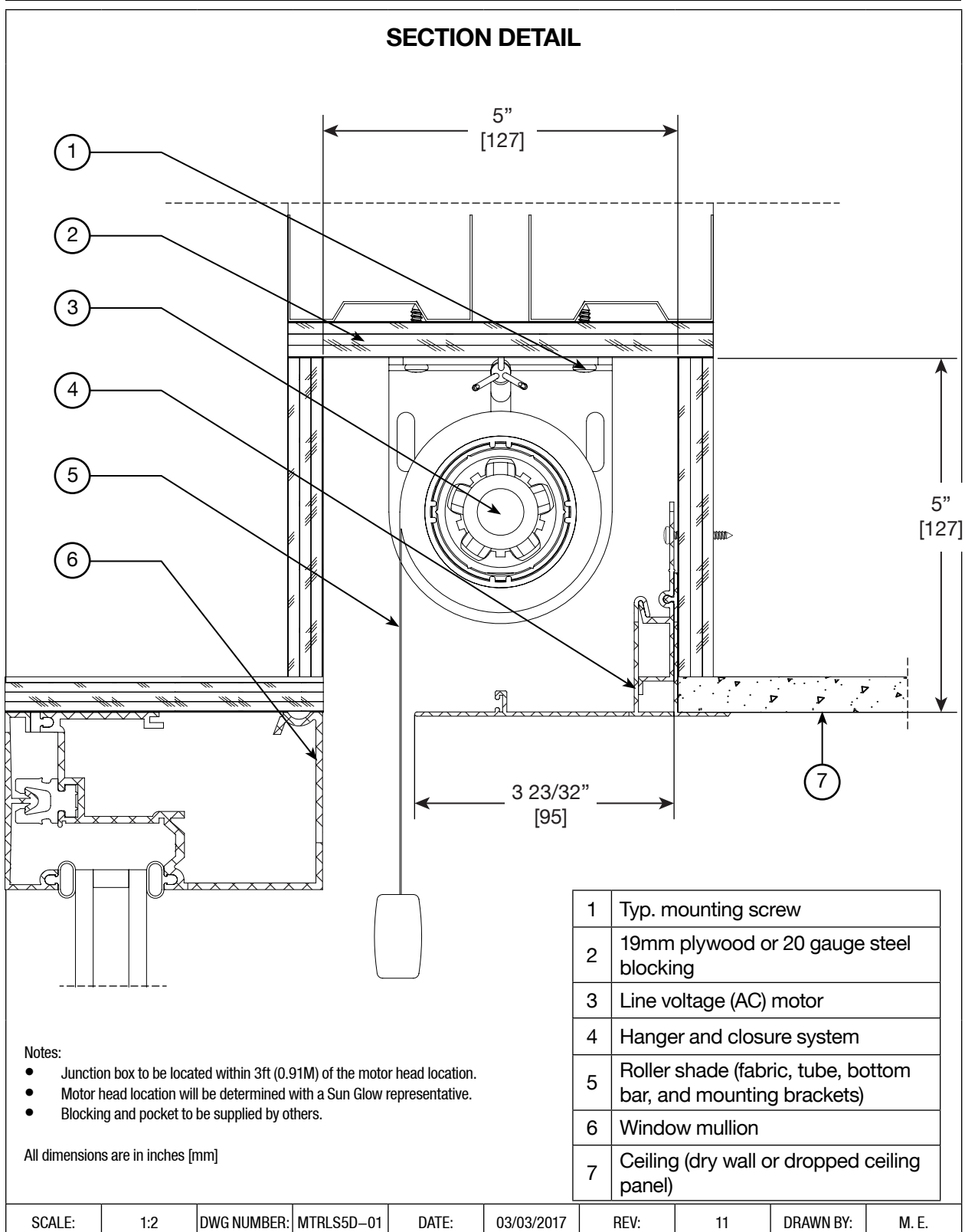
Ensure the screws used are appropriate for each application.

SCALE:	N/A	DWG NUMBER:	HC-HDS-01	DATE:	03/03/2017	REV:	0	DRAWN BY:	M. E.
--------	-----	-------------	-----------	-------	------------	------	---	-----------	-------



RECESSED POCKET ENCLOSURES

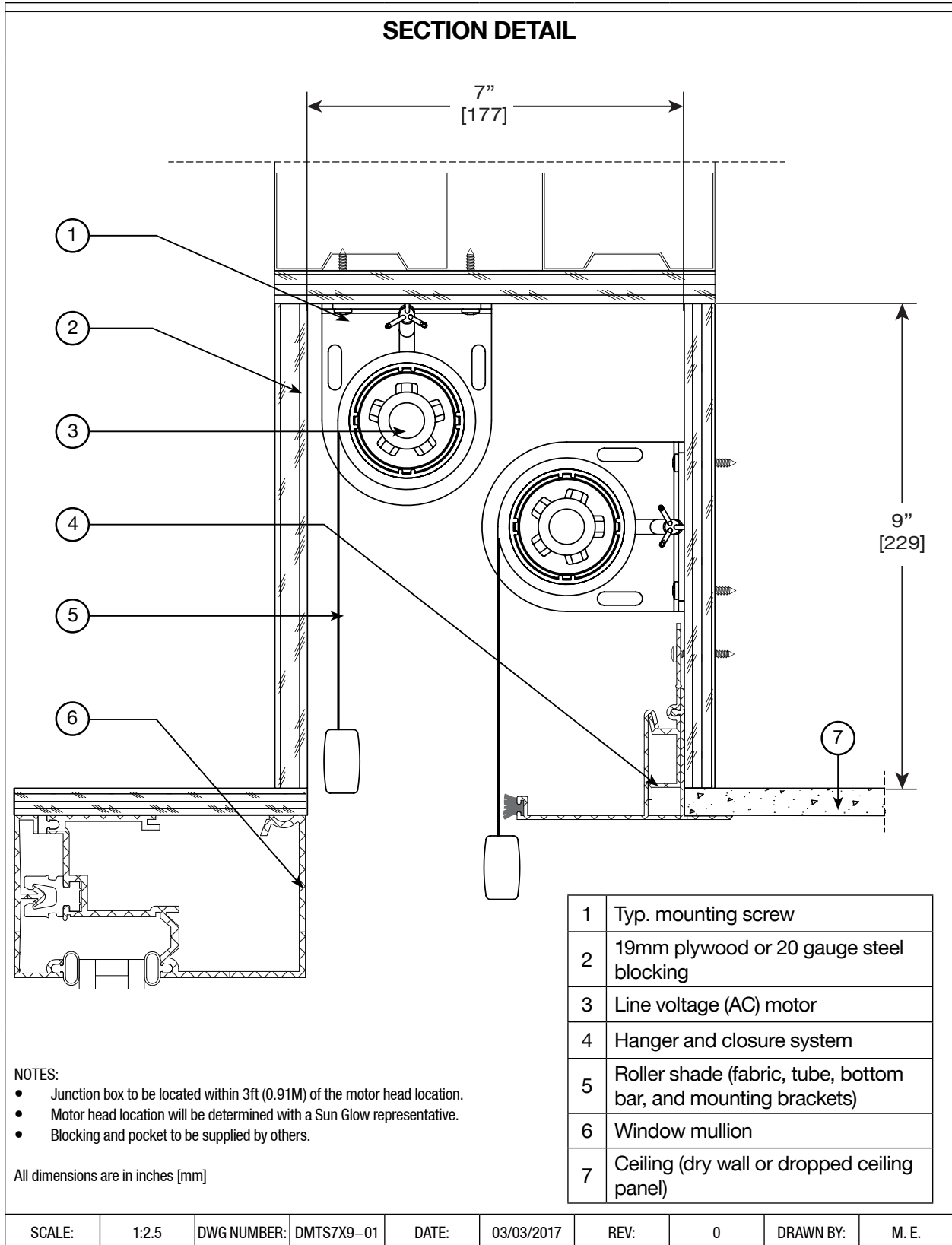
Hanger & Closure: Ceiling Mount Details





RECESSED POCKET ENCLOSURES

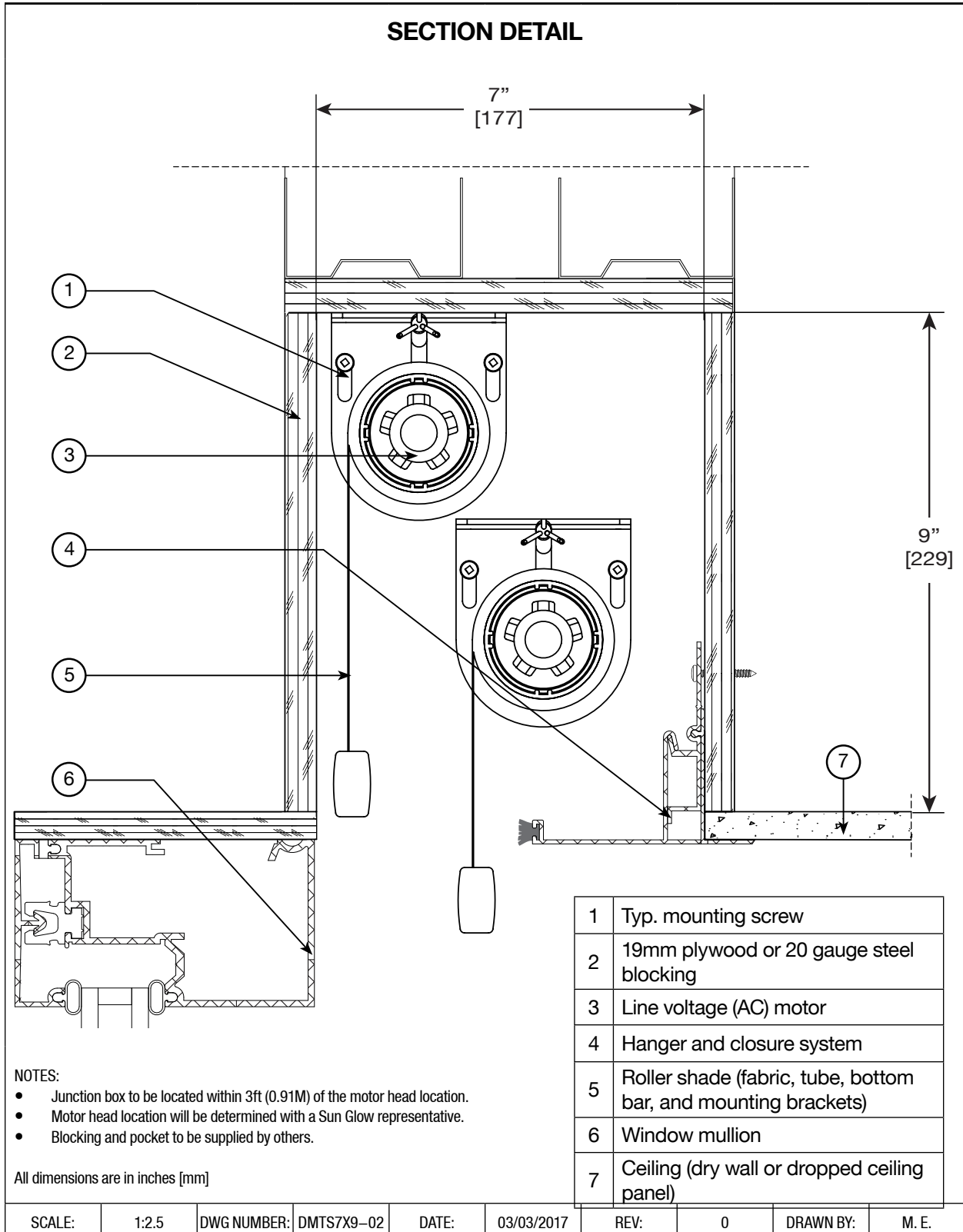
Hanger & Closure: Dual Ceiling & Wall Mount Details





RECESSED POCKET ENCLOSURES

Hanger & Closure: Dual Lateral Mount Details





RECESSED POCKET ENCLOSURES

Product Information: L-Channel Mounting Details

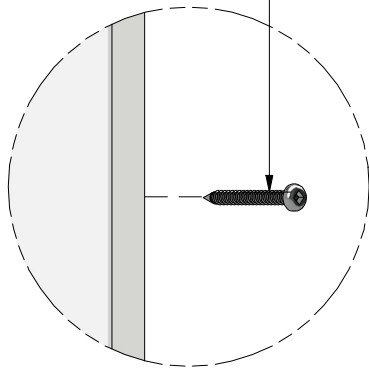
All Dimensions Are In Inches [mm]

SPACE BETWEEN L CHANNEL AND THE VALANCE

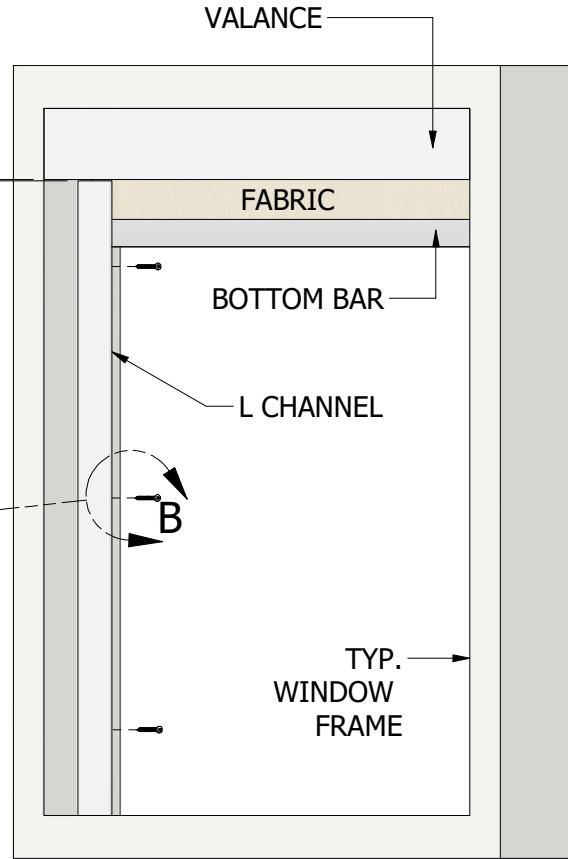
$$\frac{1}{16} \pm \frac{1}{32}$$

$$[2 \pm .8]$$

TYP.
#8x1.5
PAN SOCKET
TAPPING SCREW

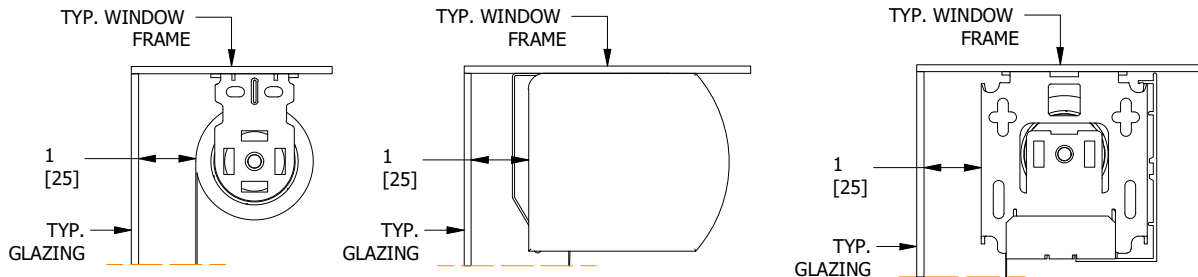


DETAIL B
SCALE 1 / 2



NOTE:

- L CHANNEL IN FRONT OF THE FABRIC SHOWN ABOVE. TO SEE L CHANNEL BEHIND THE FABRIC REFER TO ALTERNATIVE CONFIGURATIONS CUT SHEET.
- IF MOUNTING THE L CHANNEL BEHIND THE FABRIC A 1" [25.4MM] CLEARANCE IS REQUIRED BETWEEN THE SHADE SYSTEM AND GLAZING, SEE BELOW.





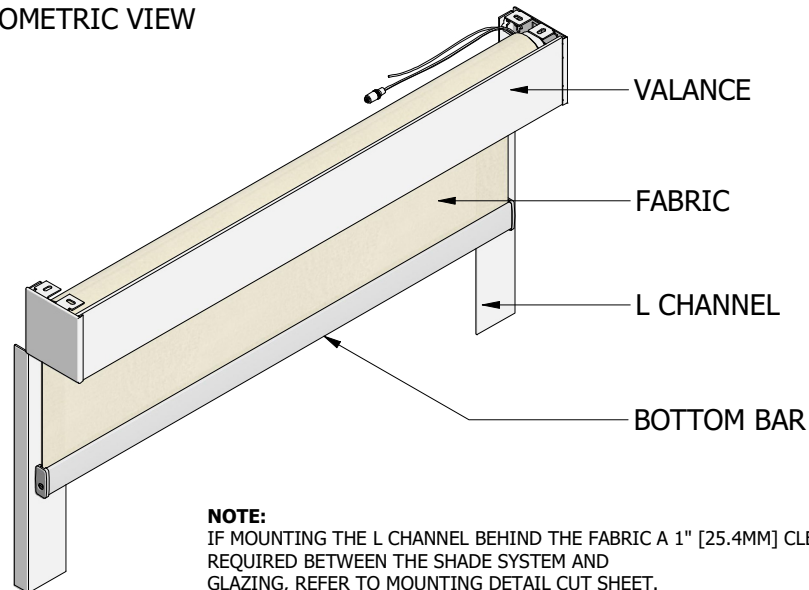
RECESSED POCKET ENCLOSURES

Product Information: L-Channel Configurations

All Dimensions Are In Inches [mm]

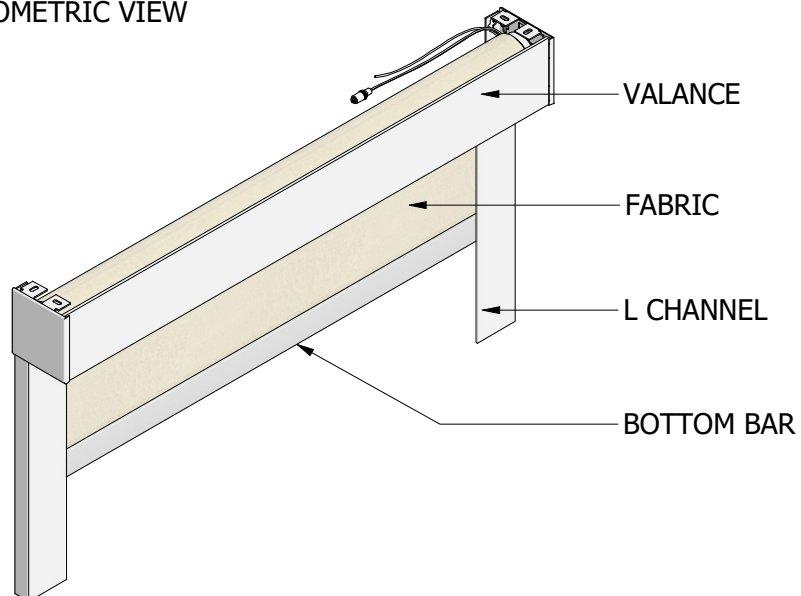
L CHANNEL BEHIND THE BOTTOM BAR AND FABRIC

ISOMETRIC VIEW



L CHANNEL IN FRONT OF THE BOTTOM BAR AND FABRIC

ISOMETRIC VIEW

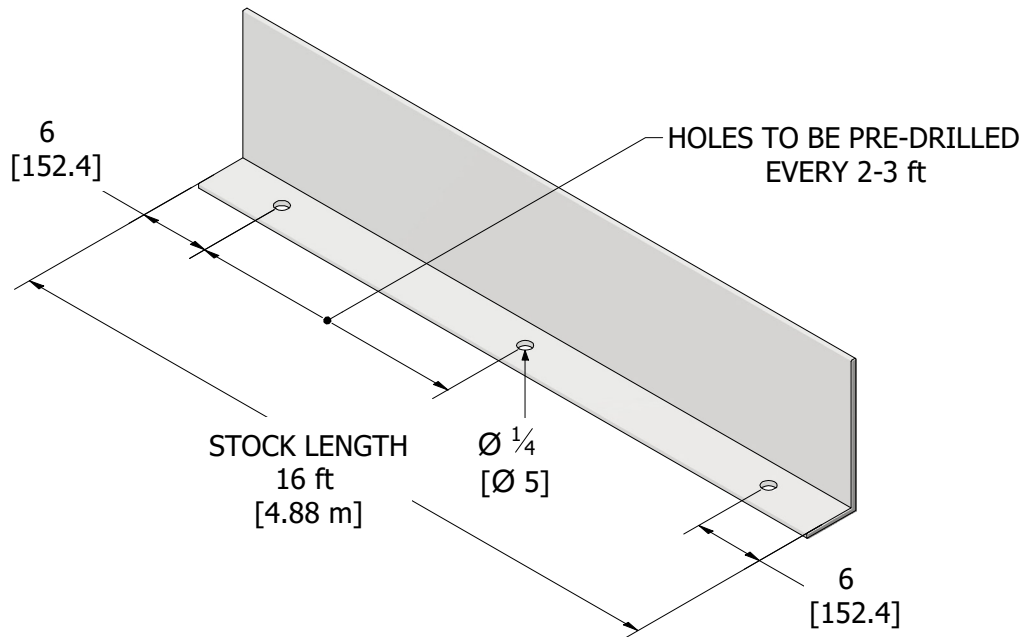
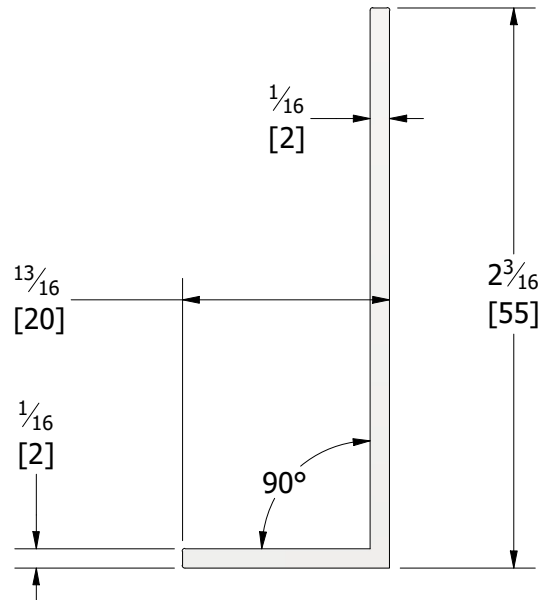




RECESSED POCKET ENCLOSURES

Product Information: L-Channel Measurements and Sizes

All Dimensions Are In Inches [mm]

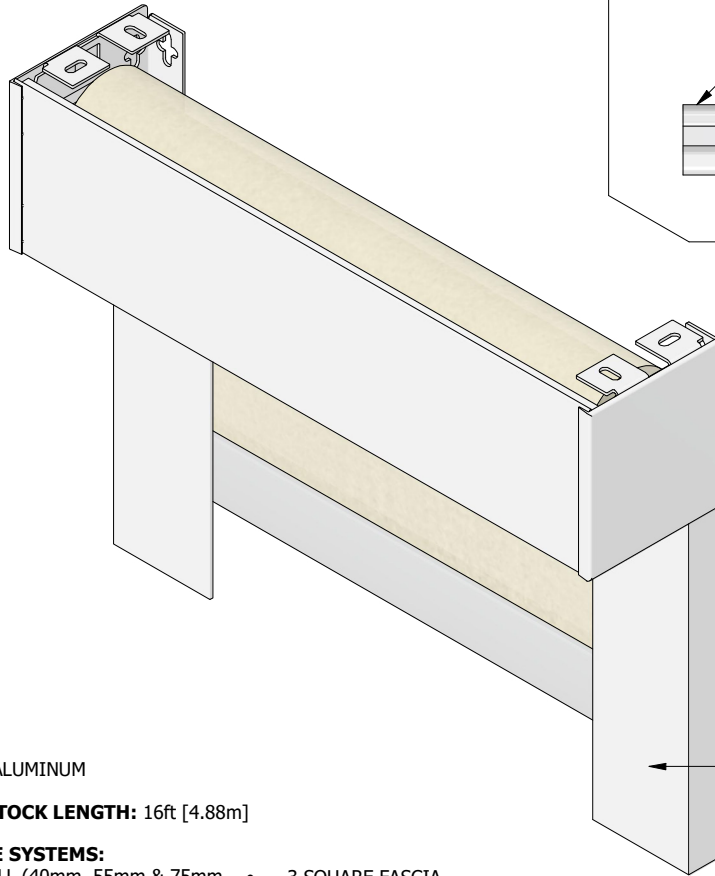




RECESSED POCKET ENCLOSURES

Product Information: L-Channel Features and Benefits

All Dimensions Are In Inches [mm]



MATERIAL: ALUMINUM

MAXIMUM STOCK LENGTH: 16ft [4.88m]

COMPATIBLE SYSTEMS:

- OPEN ROLL (40mm, 55mm & 75mm SLIM LINE BRACKETS)
- COMPACT CURVED CASSETTE
- CURVED CASSETTE
- 3 SQUARE FASCIA
- 4 SQUARE FASCIA
- DUAL OPEN ROLL
- DUAL SQUARE FASCIA

NOTE: 3" SQUARE FASCIA SYSTEM SHOWN AS AN EXAMPLE.

FEATURES	BENEFITS
Glare Reduction	Minimizes the light penetration that can be seen through the Roller Shade light gaps on either side.
Bottom Bar Options	Works with a wide variety of Roller Shade bottom bars.
Different Mounting Orientations	Can be laterally mounted in the front or behind the bottom bar and fabric.
Bottom Channel (Optional)	Reduces the Light Penetration at the bottom window ledge.
System Flexibility	Can be used in conjunction with Chain Operated or Motorized Roller Shade Systems.