

Roller Shades



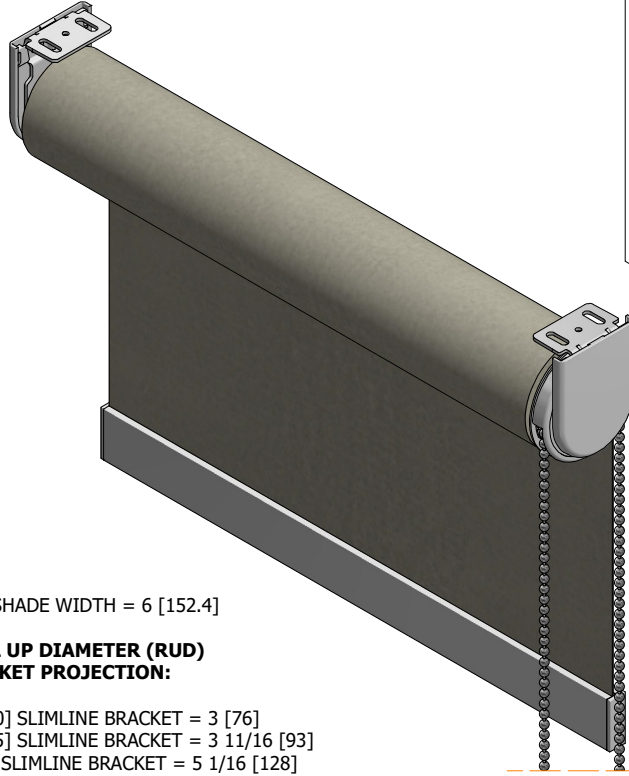


ROLLER SHADE SYSTEMS

Open Roll Chain Operated System

Features & Benefits

All Dimensions Are In Inches [mm]

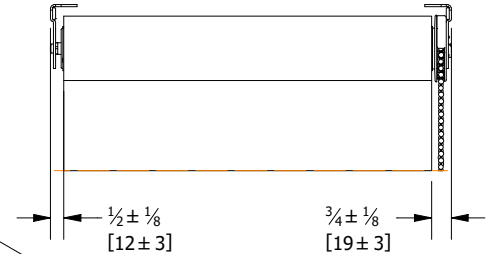


MINIMUM SHADE WIDTH = 6 [152.4]

**MAX ROLL UP DIAMETER (RUD)
PER BRACKET PROJECTION:**

- 1.6 [40] SLIMLINE BRACKET = 3 [76]
- 2.2 [55] SLIMLINE BRACKET = 3 11/16 [93]
- 3 [75] SLIMLINE BRACKET = 5 1/16 [128]

LIGHT GAPS (APPROXIMATE)



Each End Cap Is 1/8 ± 1/16 [3 ± 1.6]

BRACKET AND COVER COLOURS:



FEATURES	BENEFITS
Universal Brackets	Can be ceiling, wall or laterally mounted
Different Bracket Projections	1.6 [40], 2.2 [55], 3 [75] Bracket Sizes accommodates larger roll up diameters for larger shades.
Optional Bracket Covers	Provides a finished look for outside wall mounted applications (colours match mounting brackets and bottom bar end caps)
Simple and Safe Installations	Spring loaded idle end, clutch hooks and safety tab makes secure installation.
Smooth and Quiet Operation	Clutches are made from UV stabilised, glass-filled nylon and contain 4 small square profiled springs. The result is a strong clutch that operates smoothly with minimal effort.
SB Lift Assist Mechanism (SB LAM) Compatible	SB LAM reduces the pull force required to lift heavy shades when attached to the clutch
Zero Gravity Compatible	Shade is raised and lowered manually to the desired position with minimal effort. (No clutch and chain required)
Multi Banded (Single Control) Options	SB Multi Band Straight: Allows a group shades to be linked together and driven by a single clutch or motor. Each link can be adjusted to align and level the bottom bars together. SB Multi Band Angle: For bay window applications and is driven like the SB Multi Band Straight. The middle link can pivot at various angle up to 135 degrees. Reverse roll with a 2 [50] S-Tube is ideal to minimize the light gaps.
Automation Options	Allows for motorized controls with wireless remotes, switches or other smart devices



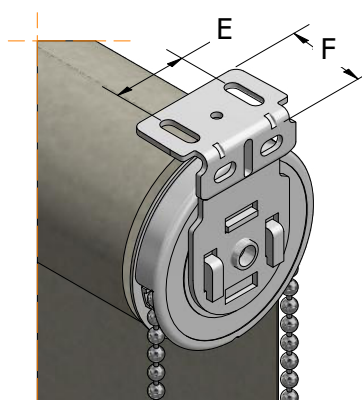
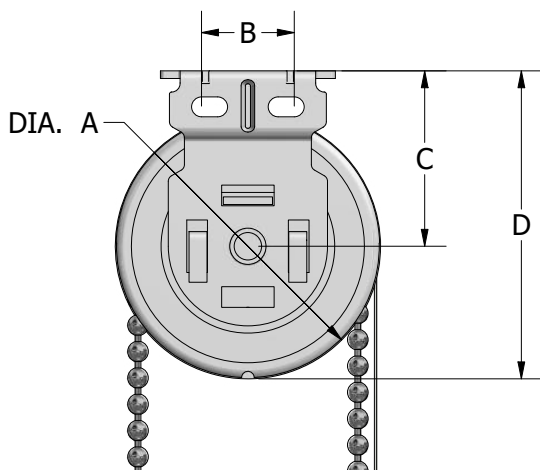
ROLLER SHADE SYSTEMS

Open Roll Chain Operated System

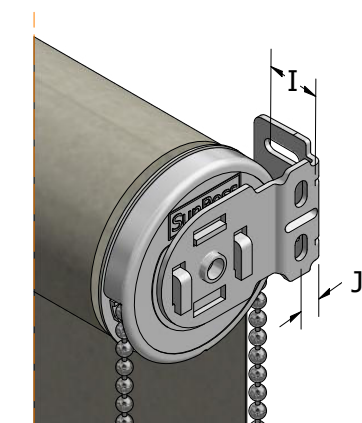
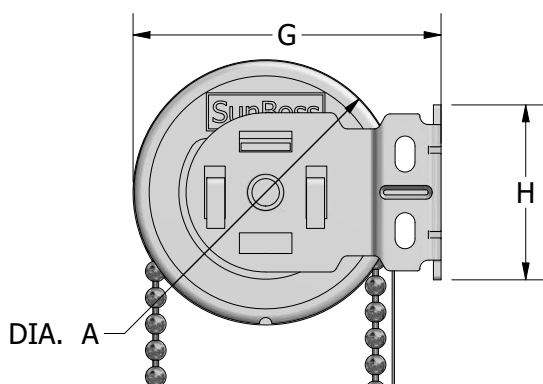
Dimensions & Measurements

All Dimensions Are In Inches [mm]

CEILING MOUNTED VIEW



WALL MOUNTED VIEW



Clutch Model	Bracket Type	A	B	C	D	E	F	G	H	I	J
SB Clutch	1.6 [40] Slimline Bracket	2 15/32 [63]	7/8 [22]	1 5/8 [41]	2 55/64 [73]	31/32 [25]	31/32 [25]	2 55/64 [73]	1 5/8 [41]	11/16 [17.5]	11/32 [8.7]
	2.2 [55] Slimline Bracket	2 15/32 [63]	7/8 [22]	2 1/8 [54]	3 23/64 [85.4]	31/32 [25]	31/32 [25]	3 23/64 [85.4]	1 5/8 [41]	11/16 [17.5]	11/32 [8.7]
	3 [75] Slimline Bracket	2 15/32 [63]	1 5/16 [33]	2 7/8 [73]	4 7/64 [104.4]	1 13/16 [46]	31/32 [25]	4 7/64 [104.4]	2 3/16 [56]	11/16 [17.5]	3/8 [9.5]

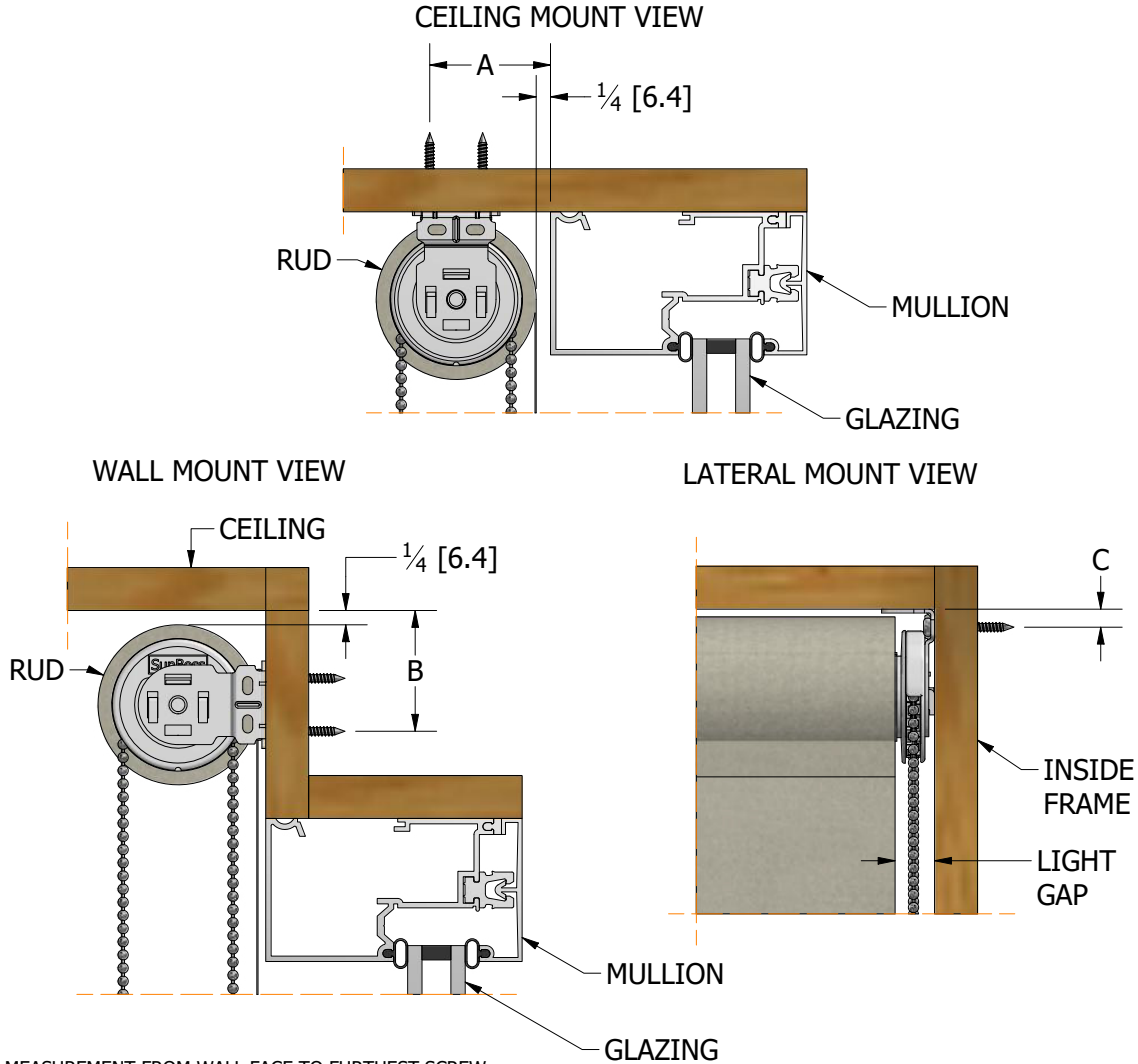


ROLLER SHADE SYSTEMS

Open Roll Chain Operated System

Mounting Details

All Dimensions Are In Inches [mm]



A = MEASUREMENT FROM WALL FACE TO FURTHEST SCREW
 B = MEASUREMENT FROM CEILING FACE TO FURTHEST SCREW
 C = MEASUREMENT FROM CEILING FACE TO FURTHEST SCREW

Max Roll Up Diameter Considered

Clutch Model	Bracket Type	A	B	C
SB Clutch	1.6 [40] Slimline Bracket	2 1/4 [57.2]	2 1/4 [57.2]	3/8 [9.5]
	2.2 [55] Slimline Bracket	2 19/32 [65.9]	2 19/32 [65.9]	3/8 [9.5]
	3 [75] Slimline Bracket	3 11/16 [93.7]	3 11/16 [93.7]	3/8 [9.5]

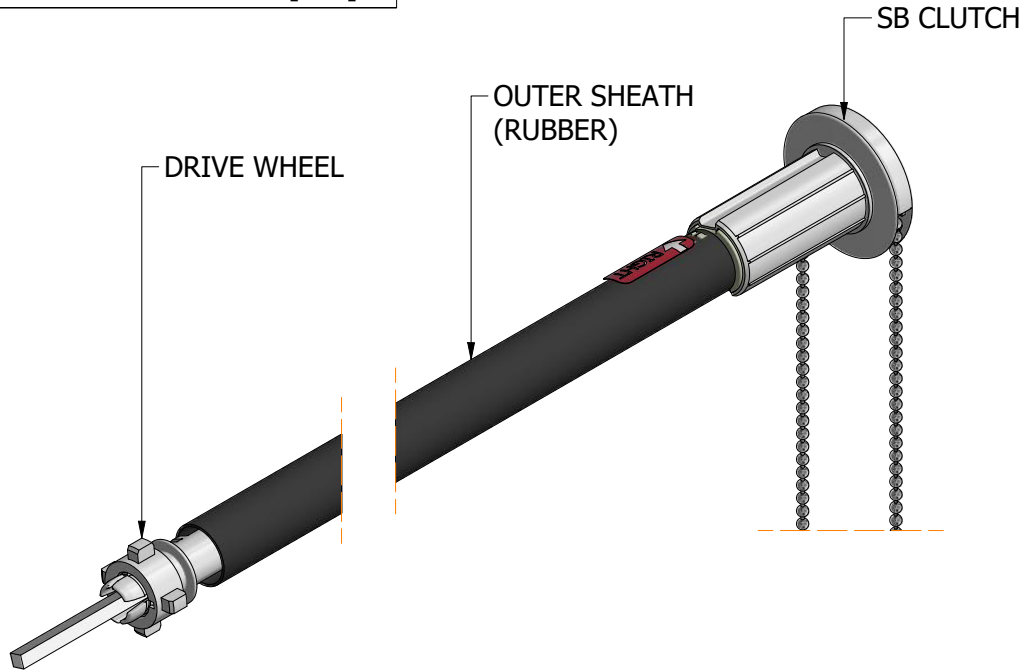


ROLLER SHADE SYSTEMS

Open Roll Chain Operated System

Lift Assist Mechanism: Features & Benefits

All Dimensions Are In Inches [mm]

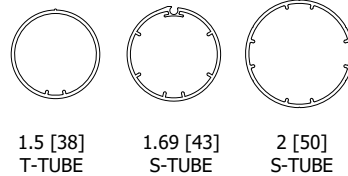


MINIMUM SHADE WIDTH = 36 [914.4]

COMPATIBLE SYSTEMS:

- OPEN ROLL
- SB CURVED CASSETTE
- SB 3 SQUARE FASCIA
- SB 4 SQUARE FASCIA
- SB DUAL OPEN ROLL
- SB DUAL CURVED CASSETTE

COMPATIBLE TUBES



FEATURES	BENEFITS
Simple and Safe Installations	Safe to work with as the specified tension is maintained, without the risk of unwinding, right through to the completed installation.
Smooth and Quiet	Foam surrounds the aluminum shaft internally to reduce noise as the spring operates. Drive Wheels run smoothly and quietly inside the tube (wheels are compatible with all roller shade tubes). Outer Sheath helps to dampen spring noise while operating inside the tube.
Enhanced Control	Reduces pull force required to operate the shade. Helps to prevent unwanted stress on the Clutch and other shade components. This increases the longevity of the entire shade system.



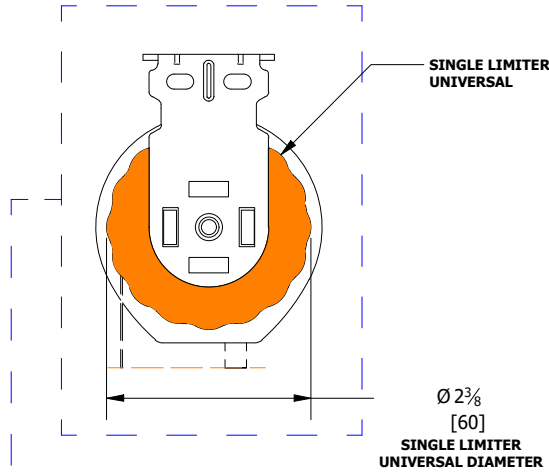
ROLLER SHADE SYSTEMS

Open Roll Chainless Systems

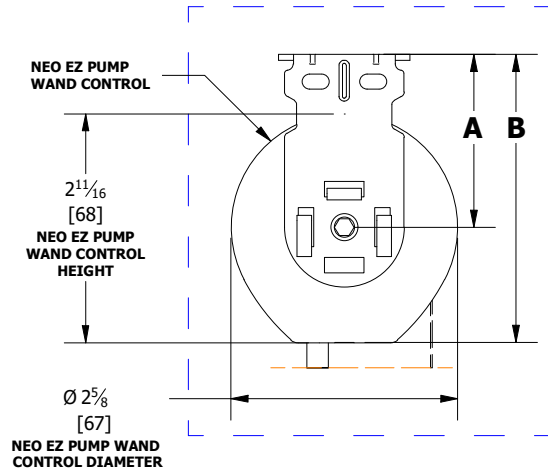
Neo Chainless System: Measurements & Sizes

All Dimensions Are In Inches [mm]

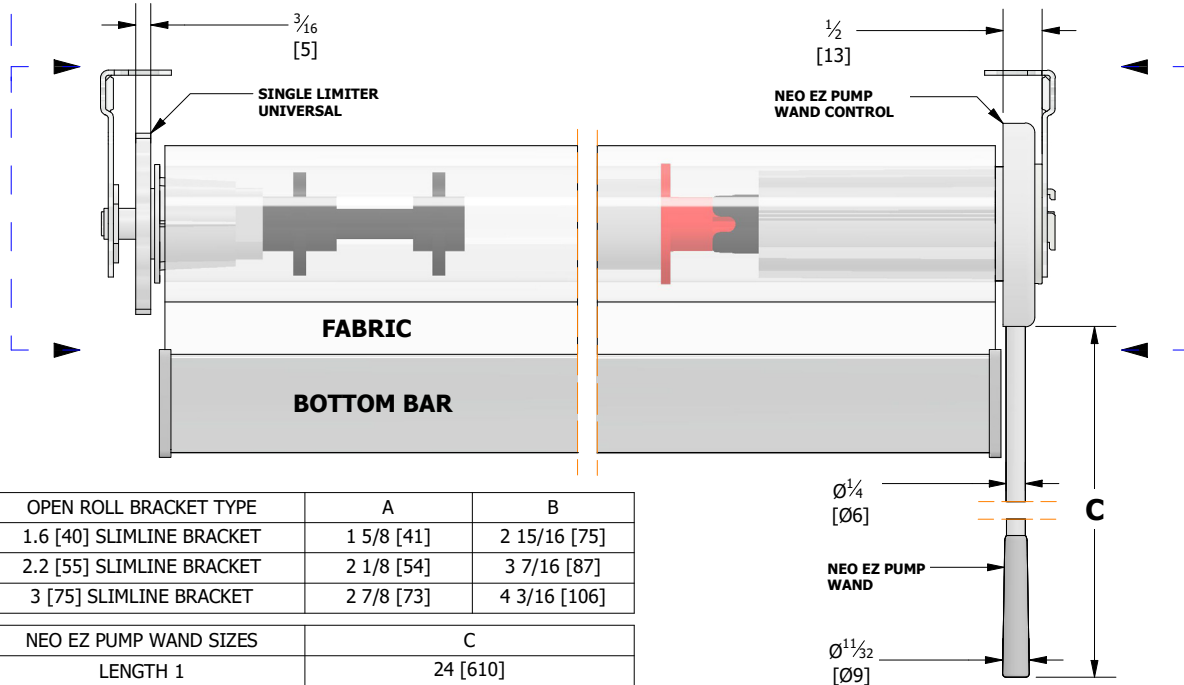
IDLE END VIEW



DRIVE END VIEW



FRONT SHADE VIEW



OPEN ROLL BRACKET TYPE	A	B
1.6 [40] SLIMLINE BRACKET	1 5/8 [41]	2 15/16 [75]
2.2 [55] SLIMLINE BRACKET	2 1/8 [54]	3 7/16 [87]
3 [75] SLIMLINE BRACKET	2 7/8 [73]	4 3/16 [106]
NEO EZ PUMP WAND SIZES	C	
LENGTH 1	24 [610]	
LENGTH 2	36 [915]	

NOTE: OPEN ROLL SYSTEM SHOWN AS AN EXAMPLE. FOR COMPATIBLE FASCIA AND CASSETTE SYSTEMS, REFER TO THE MAX ROLL UP DIAMETER IN MEASUREMENTS & SIZES.

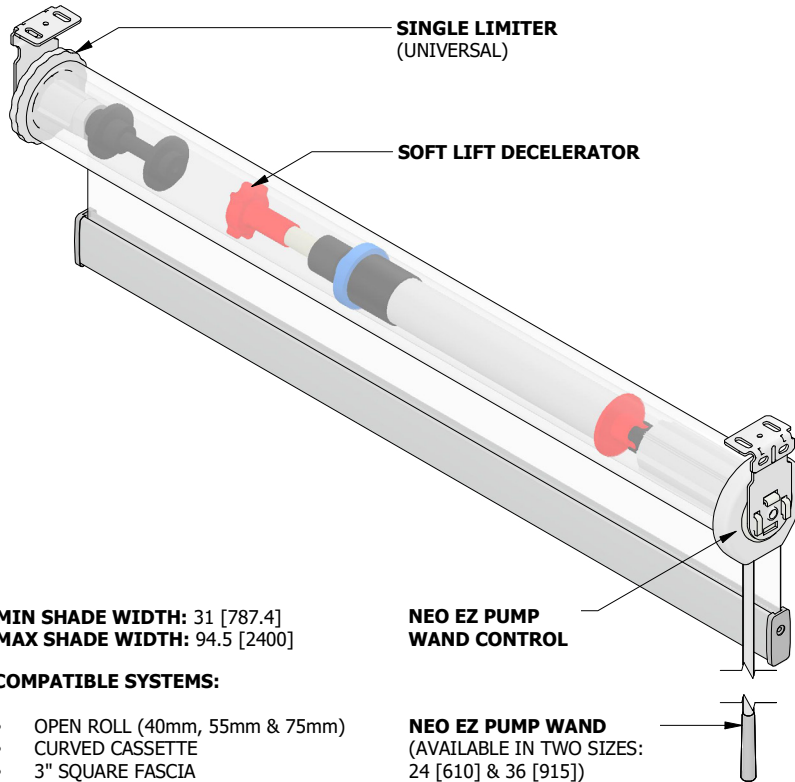


ROLLER SHADE SYSTEMS

Open Roll Chainless Systems

Neo EZ Pump: Features & Benefits

All Dimensions Are In Inches [mm]



MIN SHADE WIDTH: 31 [787.4]
MAX SHADE WIDTH: 94.5 [2400]

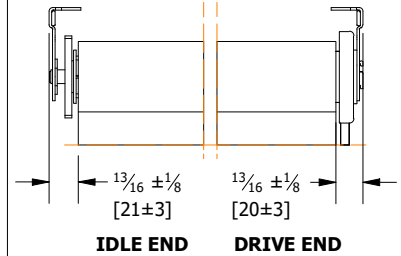
COMPATIBLE SYSTEMS:

- OPEN ROLL (40mm, 55mm & 75mm)
- CURVED CASSETTE
- 3" SQUARE FASCIA
- 4" SQUARE FASCIA

NEO EZ PUMP WAND CONTROL

NEO EZ PUMP WAND
(AVAILABLE IN TWO SIZES:
24 [610] & 36 [915])

LIGHT GAPS (APPROXIMATE)



END CAP THICKNESS: 1/8±1/16 [3±1.6]

COMPATIBLE TUBES:



1.5in [38mm]
S-TUBE

NEO EZ PUMP WAND COLOURS:



WHITE

NOTE: OPEN ROLL WITH RIGHT HAND CONFIGURATION SHOWN AS AN EXAMPLE ONLY.

FEATURES	BENEFITS
Child Safe System	The NEO EZ pump eliminates the need for free hanging loose chains/cords, while complying with latest industry child safe standards and regulations.
Universal Control	The NEO EZ pump can be either controlled by the left or right side of the shade for easy accessibility.
Dual Operation	The shade can be lowered by pumping the NEO EZ pump wand or by pulling down on the bottom bar.
Auto-rise Action	The shade can be easily retracted by a slight pull of the NEO EZ pump wand or the bottom bar.
Smooth & Quiet Operation	The soft lift decelerator slows the shade down smoothly as it approaches the upper limit.
Adjustable Upper Limit	The single limiter allows the upper limit to be fully adjustable while the shade is installed.
Easy Tension Adjustment	If required, the spring tension can be easily adjusted by a #5 hex socket wrench.



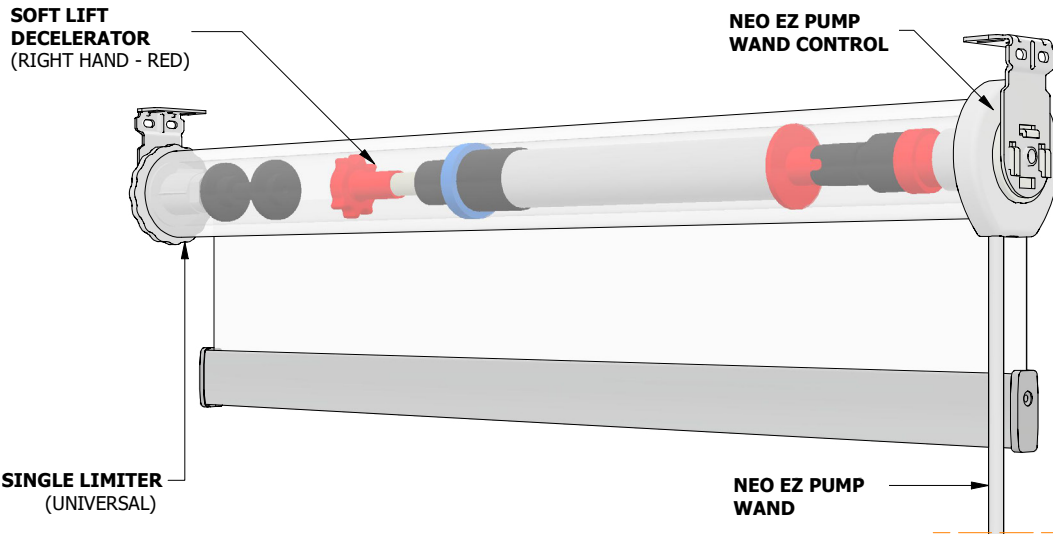
ROLLER SHADE SYSTEMS

Open Roll Chainless Systems

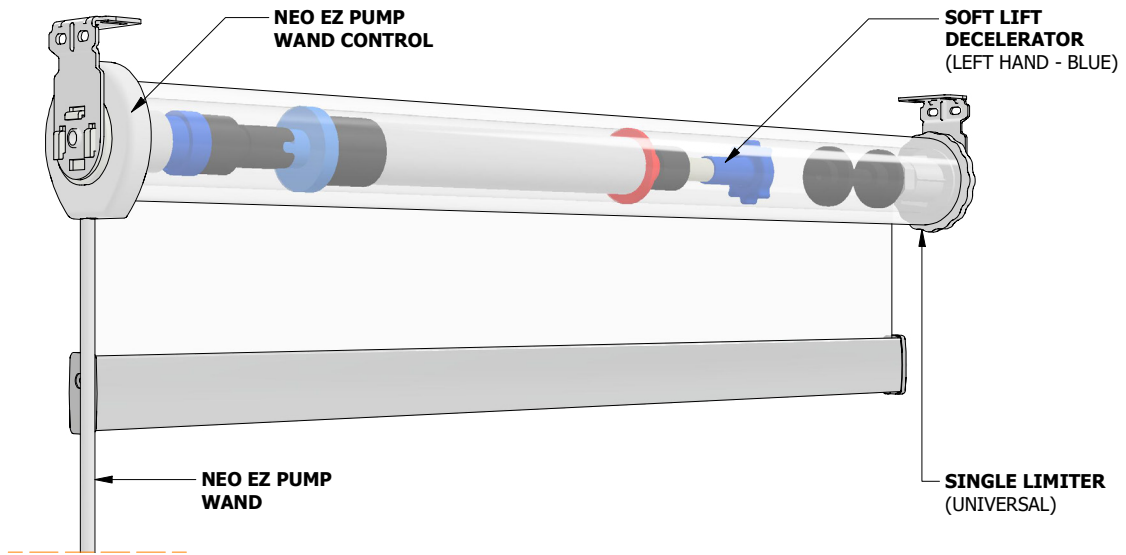
Neo EZ Pump: Configurations

All Dimensions Are In Inches [mm]

RIGHT HAND WAND CONTROL OPTION [1]



LEFT HAND WAND CONTROL OPTION [2]





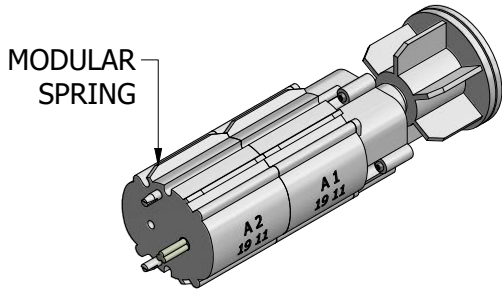
ROLLER SHADE SYSTEMS

Open Roll Chainless Systems

Zero Gravity Chainless System: Features & Benefits

All Dimensions Are In Inches [mm]

ZERO GRAVITY - MINI



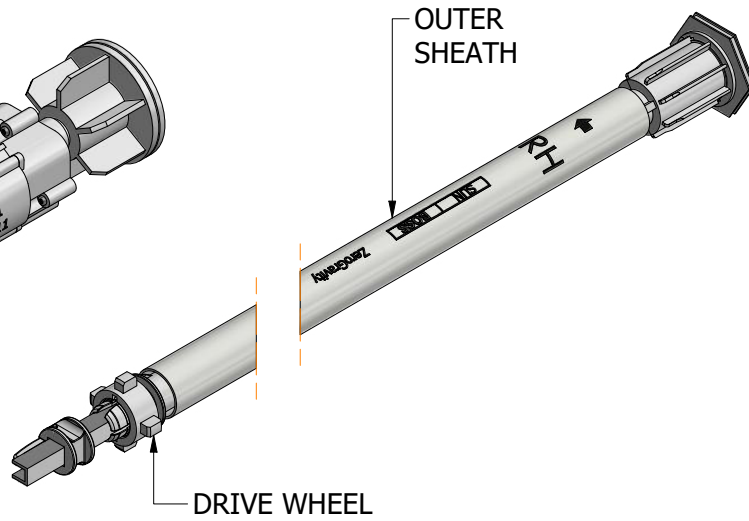
ZERO GRAVITY - MINI
MINIMUM SHADE WIDTH = 10" [254]

ZERO GRAVITY - REGULAR
MINIMUM SHADE WIDTH = 27.5" [698.5]

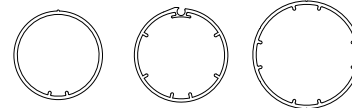
COMPATIBLE SYSTEMS:

- OPEN ROLL
- SB CURVED CASSETTE
- SB 3 SQUARE FASCIA
- SB 4 SQUARE FASCIA
- SB DUAL OPEN ROLL
- SB DUAL CURVED CASSETTE

ZERO GRAVITY - REGULAR



COMPATIBLE TUBES



1.5 [38] T-TUBE
1.69 [43] S-TUBE
2 [50] S-TUBE
MINI ONLY

FEATURES	BENEFITS
Different Spring Types	Zero Gravity - Mini Spring: Ideal for smaller and mid sized windows. Modular constant force springs inside matches the shade weight. Zero Gravity - Regular Spring: The spring tension can be adjusted to always perfectly match the weight of the roller shade, no matter what width, fabric weight or tube size. Foam surrounds the aluminum shaft internally to reduce noise as the spring operates Drive Wheels run smoothly and quietly inside the tube (drive wheels are compatible with all roller shade tubes). Outer Sheath helps to dampen spring noise while operating inside the tube.
Zero Gravity Difference	Shades can be raised and lowered by simply urging the base rail up or down by hand with almost zero effort. Can stop at any position without the use of chains or cords.
Smooth And Quiet	The zero gravity system is quiet and balanced, never heavy to lift.
Balanced Control	Helps to prevent unwanted stress on other shade components and increases the longevity of the entire shade system.



ROLLER SHADE SYSTEMS

Open Roll Chain Systems

Safety Shields: Features & Benefits

All Dimensions Are In Inches [mm]

Safety Shield

COMPATIBLE WITH ALL LOOP CHAINS SIZES

PRODUCT MEETS **THE CANADIAN CORDED WINDOW COVERING REGULATION.**

COMPATIBLE CHAIN SYSTEMS:

- ROLLER SHADE
- INTERLUDE
- ILLUSION


CHAIN SHROUD

LOOP HOLDER

SAFETY SHIELD COLOURS:

WHITE BLACK

DETAIL A (SCALE 1 : 1)

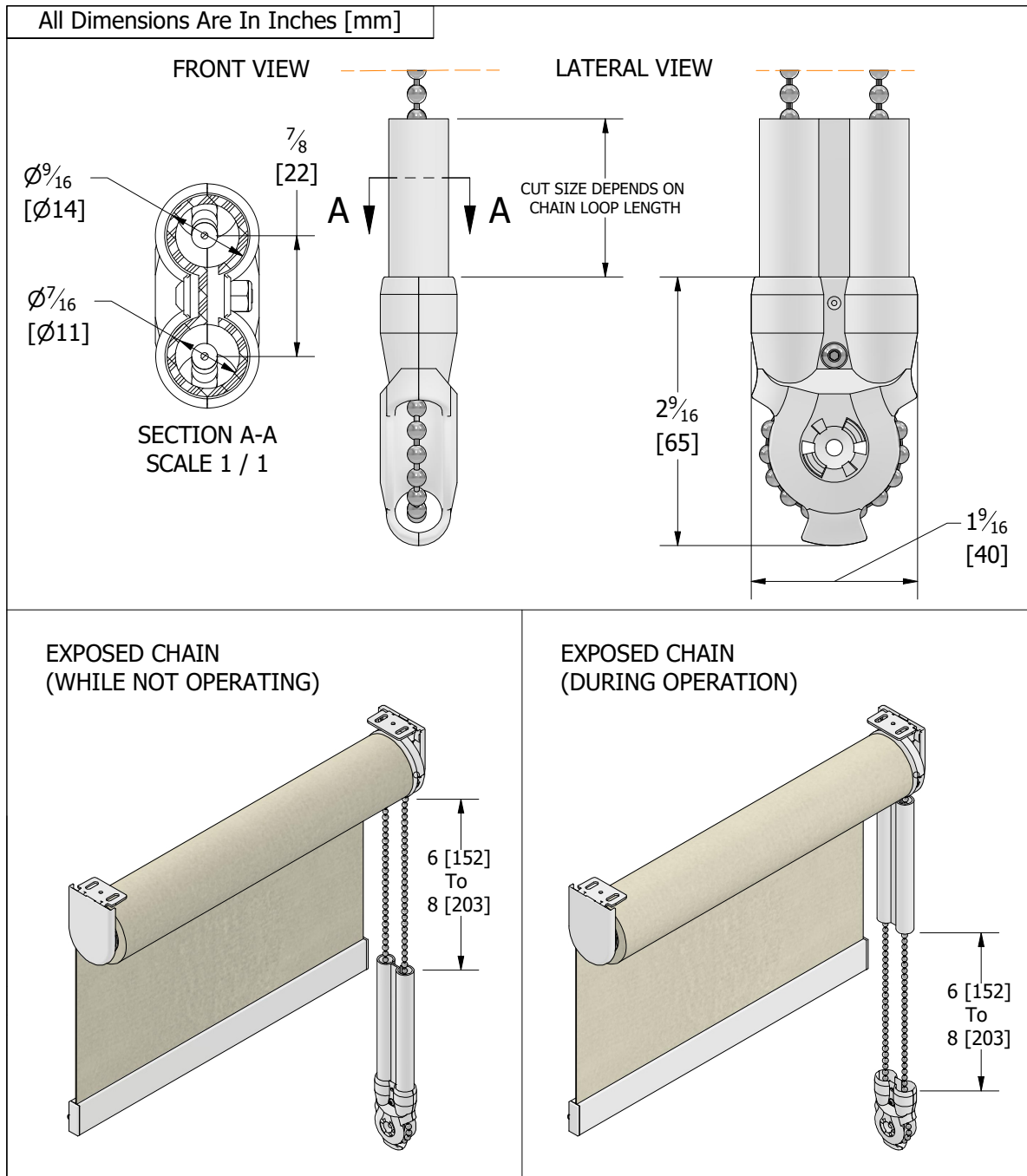
FEATURES	BENEFITS
Child Safe 	The Safety Shield product has been tested and meets the "Canadian Corded Window Covering Regulation".
Adaptable To Different Chain Operated Systems	Adapts to different looped chains systems without the need to replace the clutch or drive components. Also works with $\varnothing 0.35"$ [9mm] plastic or stainless steel stop beads.
Multiple Chain Loops Available	The chain shroud is compatible with different chain loop lengths.
Simple and Safe Installation	The loop holder should be lateral or wall mounted. Lateral mounting is ideal, as chain will have slight twist if wall mounting.
Different Colour Options	The Safety Shield comes in a white and black finish.



ROLLER SHADE SYSTEMS

Open Roll Chain Systems

Safety Shields: Measurements & Sizes



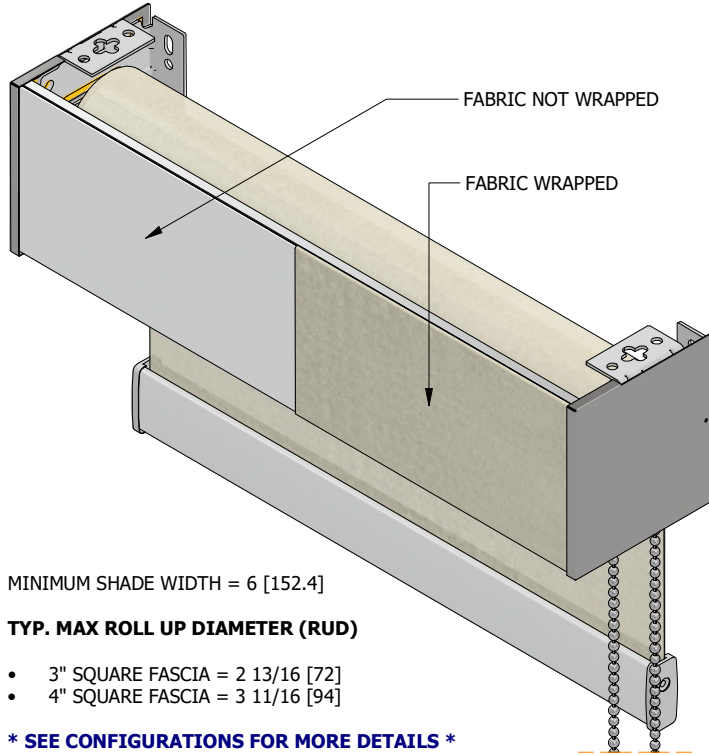


ROLLER SHADE SYSTEMS

3" and 4" Square Fascia: Chain Operated

Features & Benefits

All Dimensions Are In Inches [mm]



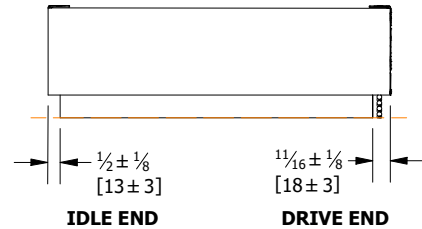
MINIMUM SHADE WIDTH = 6 [152.4]

TYP. MAX ROLL UP DIAMETER (RUD)

- 3" SQUARE FASCIA = 2 13/16 [72]
- 4" SQUARE FASCIA = 3 11/16 [94]

* SEE CONFIGURATIONS FOR MORE DETAILS *

LIGHT GAPS (APPROXIMATE)



END CAP THICKNESS: 1/32±1/64 [0.8±0.4]

FASCIA AND COVER COLOURS:



FEATURES	BENEFITS
Heavy Duty Mounting Brackets	Can be ceiling, wall or laterally mounted.
Fabric Wrap Option	Front profile can be wrapped with fabric to match the roller shade.
Thin Bracket Covers	Provides a finished look when outside or partially inside mounting the fascia. Thin metal design to reduce light gaps. (colours match fascia)
Clip On Fascia Design	Fascia securely locks onto each bracket/guard and can be removed to allow access to the shade. Also can be mounted reverse roll.
Universal Chain and Flat Guard Design	Clip on chain guard allows the roller chain to hang away from the fascia and maintains a smooth feel during operation. The flat guard is used to secure the fascia at the idle end. If using fascia for zero gravity or motorized systems two flat guards are required. Notching the fascia is not required.
SB Lift Assist Mechanism (SB LAM) Compatible	SB LAM reduces the pull force required to lift heavy shades when attached to the clutch.
Zero Gravity Compatible	Shade is raised and lowered manually to the desired position with minimal effort. (No clutch and chain required)
Multi Banded (Single Control) Options	SB Multi Band Straight: Allows a group shades to be linked together and driven by a single clutch or motor. Each link can be adjusted to align and level the bottom bars together. All brackets can be covered by a single fascia.
Multi in 1 (Separate Control) Options	SB Multi in 1: Allows a group of shades to be driven individually under a single cassette.
Automation Options	Allows for motorized controls with wireless remotes, switches or other smart devices.



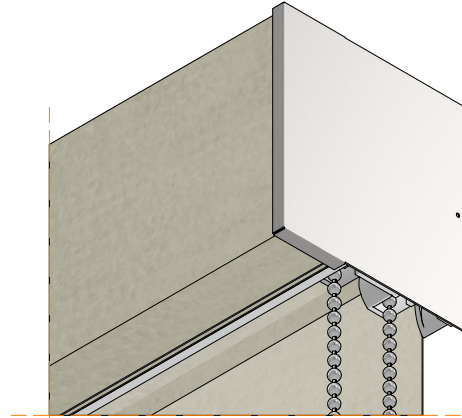
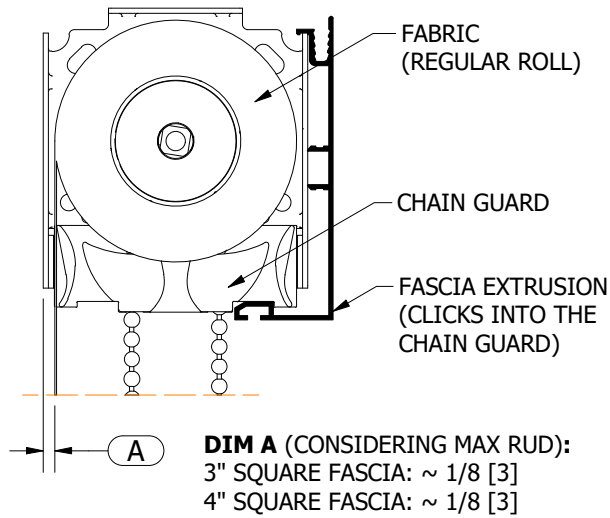
ROLLER SHADE SYSTEMS

3" and 4" Square Fascia: Chain Operated

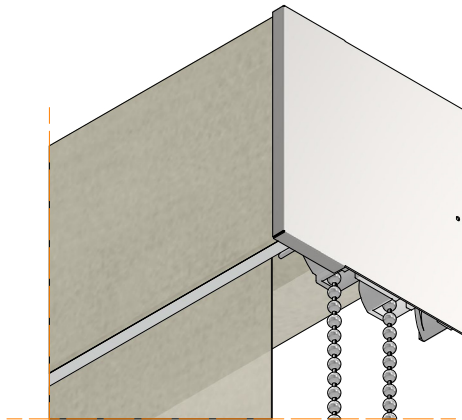
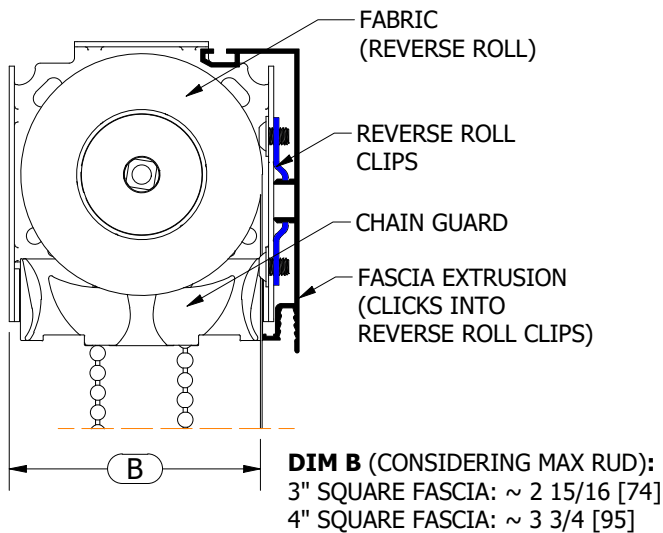
Configurations

All Dimensions Are In Inches [mm]

FASCIA **WITH RETURN** OPTION [1] (Regular Roll)



FASCIA **WITHOUT RETURN** OPTION [2] (Reverse Roll)





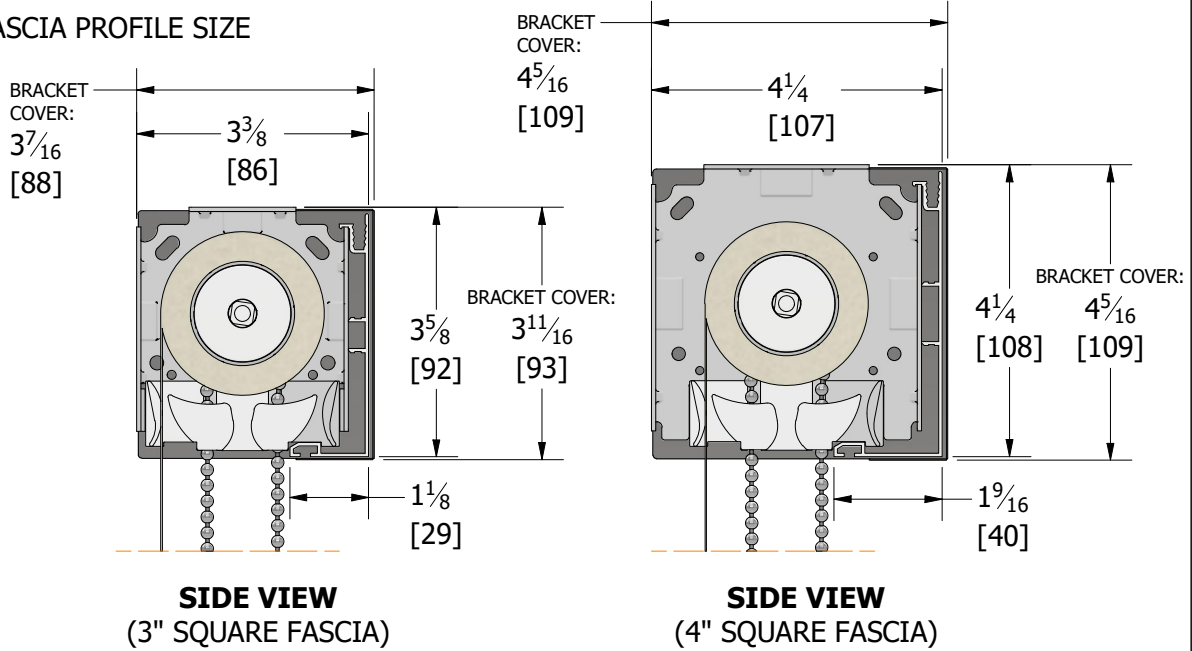
ROLLER SHADE SYSTEMS

3" and 4" Square Fascia: Chain Operated

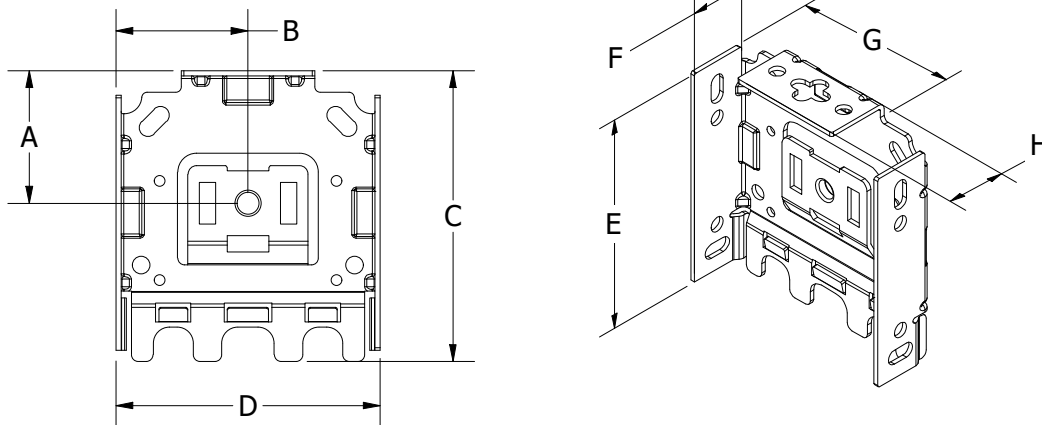
Dimensions & Measurements

All Dimensions Are In Inches [mm]

FASCIA PROFILE SIZE



FASCIA BRACKET MEASUREMENTS



System Type	A	B	C	D	E	F	G	H
3" Square Fascia	$1\frac{9}{16}$ [39]	$1\frac{9}{16}$ [39]	$3\frac{3}{8}$ [86]	$3\frac{1}{16}$ [78]	3 [75]	$\frac{7}{8}$ [22]	$2\frac{5}{16}$ [59]	$\frac{7}{8}$ [22]
4" Square Fascia	2 [51]	$1\frac{15}{16}$ [50]	4 [102]	$3\frac{15}{16}$ [100]	$3\frac{9}{16}$ [91]	$\frac{7}{8}$ [22]	$3\frac{3}{16}$ [81]	$\frac{7}{8}$ [22]

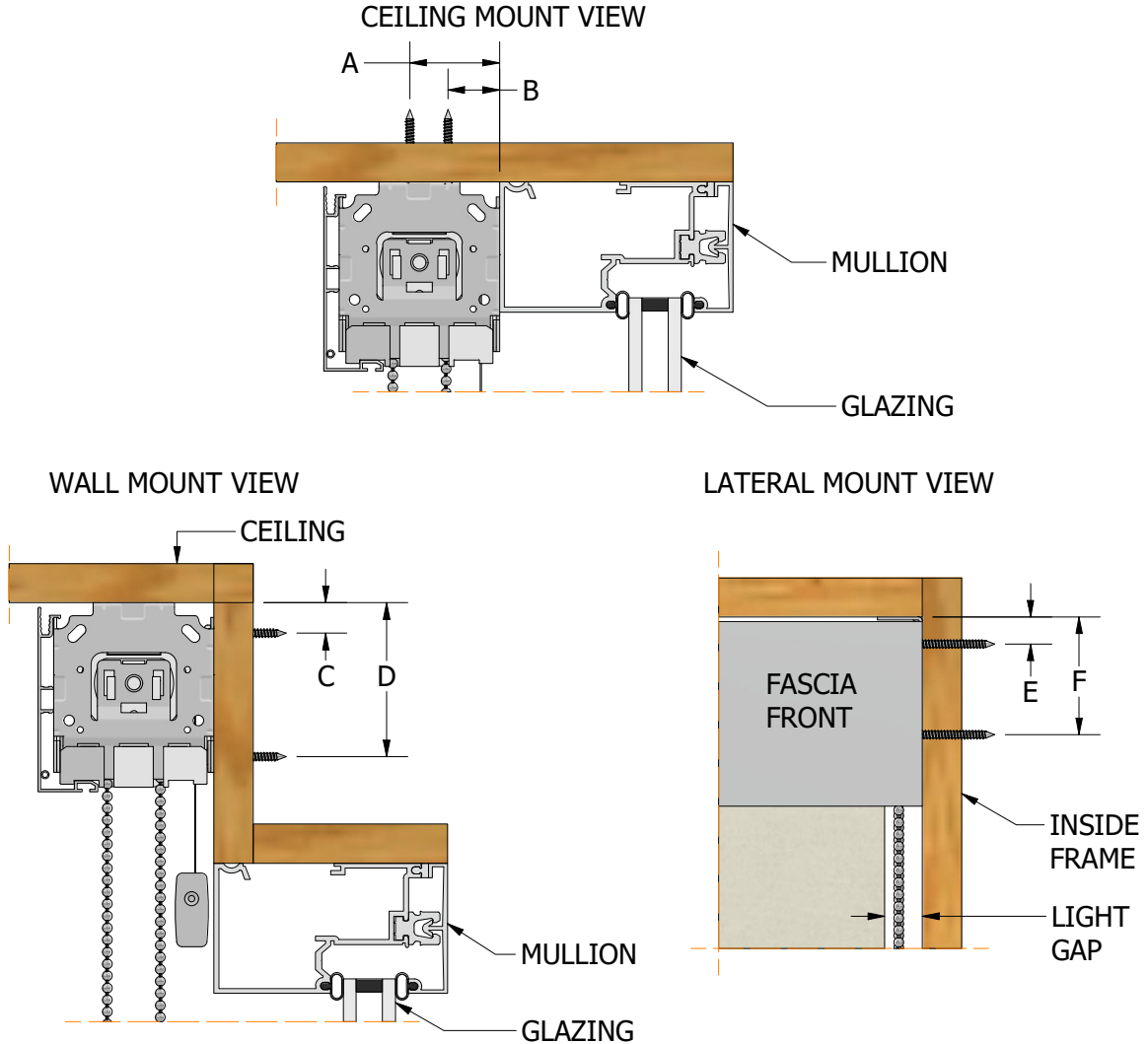


ROLLER SHADE SYSTEMS

3" and 4" Square Fascia: Chain Operated

Mounting Details

All Dimensions Are In Inches [mm]



A = MEASUREMENT FROM WALL FACE TO FURTHEST SCREW
 D = MEASUREMENT FROM CEILING FACE TO FURTHEST SCREW
 F = MEASUREMENT FROM CEILING FACE TO FURTHEST SCREW

COVERS SHOULD NOT BE USED FOR LATERAL MOUNT APPLICATIONS

Fascia Front & Mounting Brackets Considered

System Type	A	B	C	D	E	F
3" Square Fascia	1 3/4 [44]	1 [25.4]	9/16 [14]	2 15/16 [75]	1/2 [13]	2 1/4 [57]
4" Square Fascia	2 3/16 [55]	1 1/16 [27]	9/16 [14]	3 9/16 [91]	9/16 [14]	2 3/4 [70]

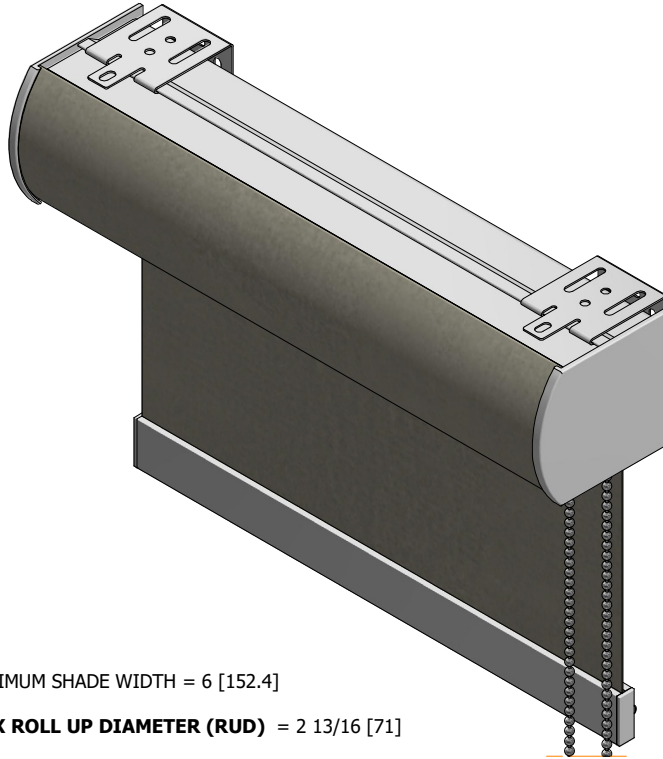


ROLLER SHADE SYSTEMS

Curved Cassette: Chain Operated

Features & Benefits

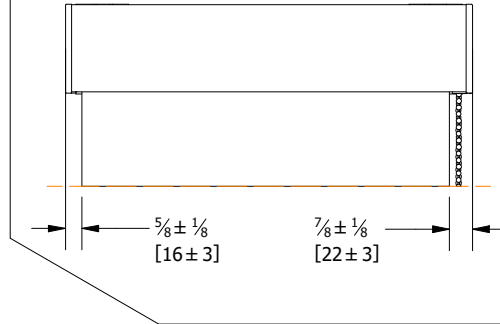
All Dimensions Are In Inches [mm]



MINIMUM SHADE WIDTH = 6 [152.4]

MAX ROLL UP DIAMETER (RUD) = 2 13/16 [71]

LIGHT GAPS (APPROXIMATE)



CASSETTE AND COVER COLOURS:



FEATURES	BENEFITS
Flexible Brackets	Snap on mounting brackets can be ceiling or wall mounted
Fabric Wrap Option	Front of cassette can be wrapped with fabric to match the roller shade
Colour Matching Bracket Covers	Provides a finished look for outside wall mounted applications (colours match mounting brackets and bottom bar end caps)
Fully Assembled System	Completely assembled unit conceals the roller shade from the interior and exterior space
Smooth and Quiet Operation	Clutches are made from UV stabilised, glass-filled nylon and contain 4 small square profiled springs. The result is a strong clutch that operates smoothly with minimal effort.
SB Lift Assist Mechanism (SB LAM) Compatible	SB LAM reduces the pull force required to lift heavy shades when attached to the clutch
Zero Gravity Compatible	Shade is raised and lowered manually to the desired position with minimal effort. (No clutch and chain required)
NEO Chainless Compatible	Can easily be retracted by a slight pull of the bottom bar or blind pull. The spring end helps to retract the shade while the speed reducer slows the shade down as it approaches the upper limit.
Multi Banded (Single Control) Options	SB Multi Band Straight: Allows a group shades to be linked together and driven by a single clutch or motor. Each link can be adjusted to align and level the bottom bars together. All brackets can be covered by a single cassette.
Multi in 1 (Separate Control) Options	SB Multi in 1: Allows a group of shades to be driven individually under a single cassette.
Automation Options	Allows for motorized controls with wireless remotes, switches or other smart devices



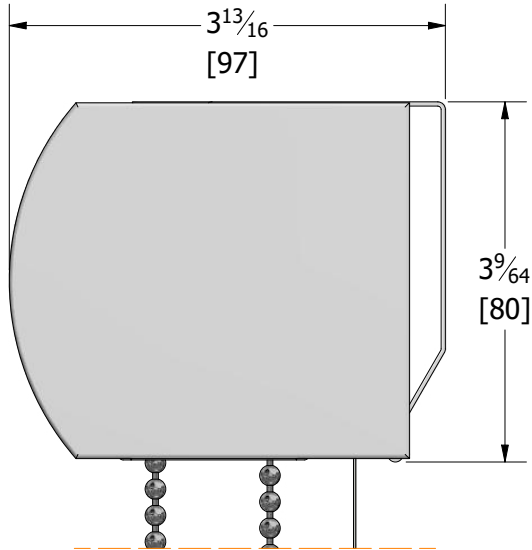
ROLLER SHADE SYSTEMS

Curved Cassette: Chain Operated

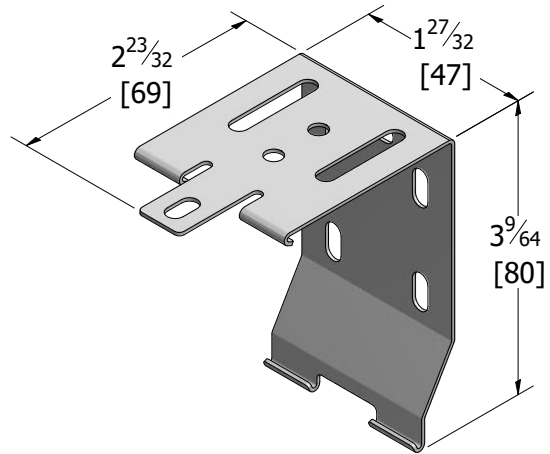
Dimensions & Measurements

All Dimensions Are In Inches [mm]

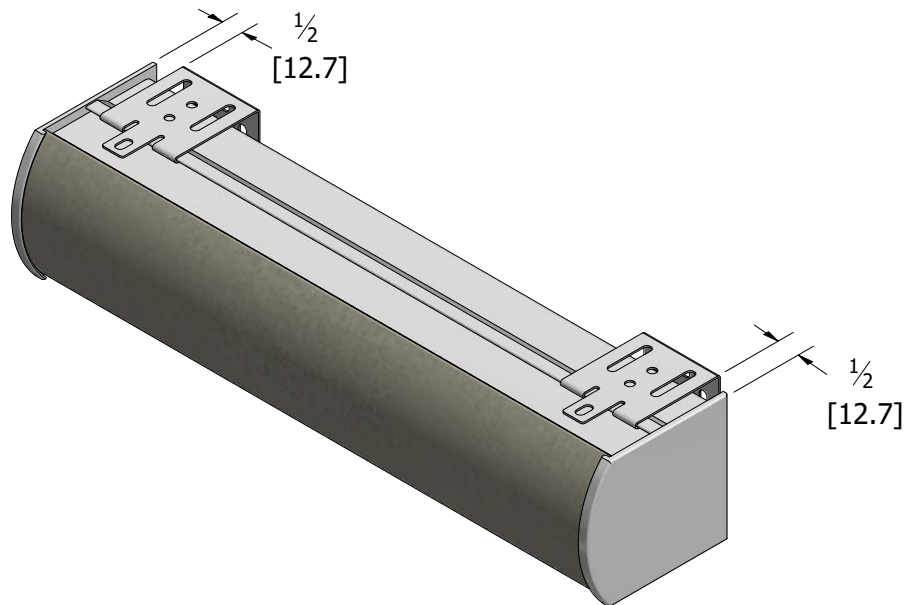
SIDE VIEW



MOUNTING BRACKET



BRACKET SPACING





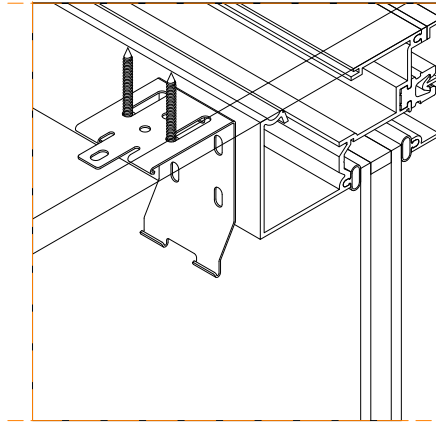
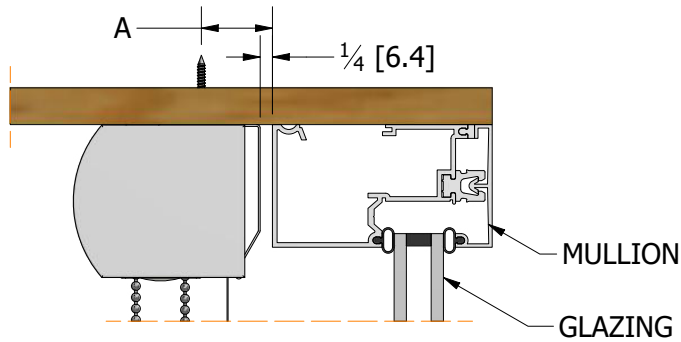
ROLLER SHADE SYSTEMS

Curved Cassette: Chain Operated

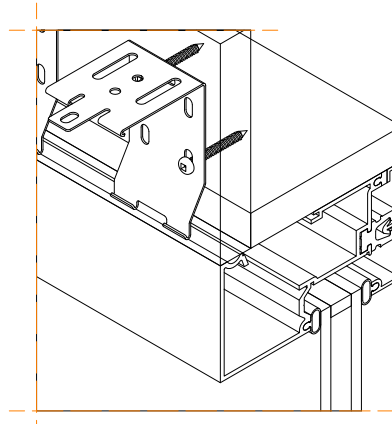
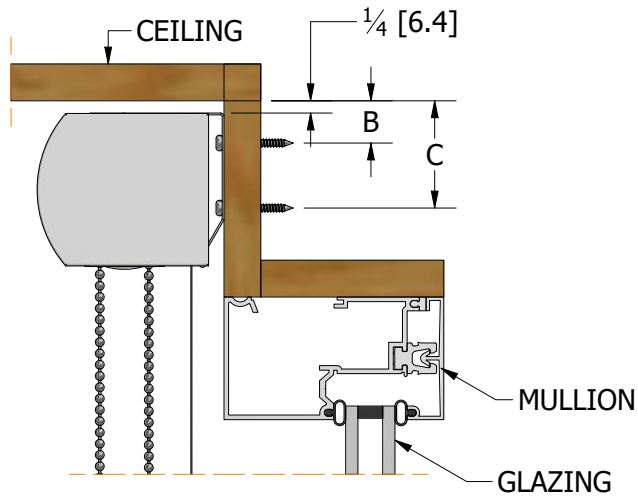
Mounting Details

All Dimensions Are In Inches [mm]

CEILING MOUNT VIEW



WALL MOUNT VIEW



A = MEASUREMENT FROM WALL FACE TO FURTHEST SCREW
 B = MEASUREMENT FROM CEILING FACE TO NEAREST SCREW
 C = MEASUREMENT FROM CEILING FACE TO FURTHEST SCREW

Mounting Brackets Considered

System	Bracket Type	A	B	C
SB Curved Cassette	1.6 [40] Slimline Bracket	1 3/8 [34.9]	7/8 [22.2]	2 1/8 [54]

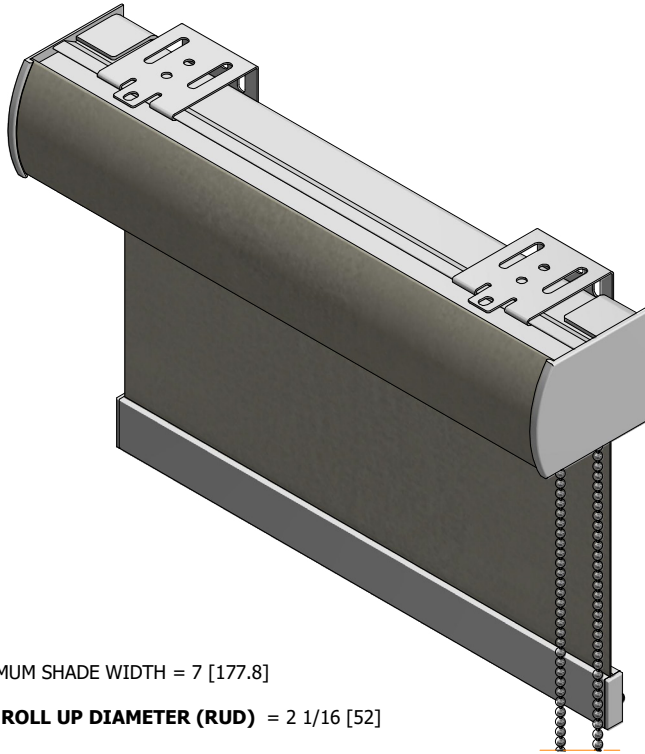


ROLLER SHADE SYSTEMS

Compact Curved Cassette: Chain Operated

Features & Benefits

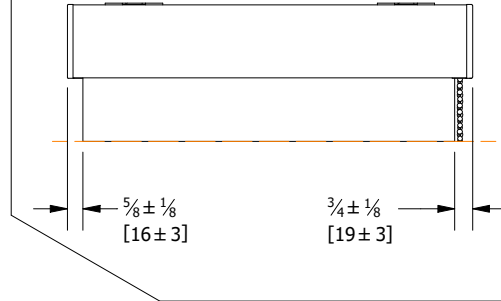
All Dimensions Are In Inches [mm]



MINIMUM SHADE WIDTH = 7 [177.8]

MAX ROLL UP DIAMETER (RUD) = 2 1/16 [52]

LIGHT GAPS (APPROXIMATE)



CASSETTE AND COVER COLOURS:



FEATURES	BENEFITS
Flexible Brackets	Snap on mounting brackets can be ceiling or wall mounted
Fabric Wrap Option	Front of cassette can be wrapped with fabric to match the roller shade
Colour Matching Bracket Covers	Provides a finished look for outside wall mounted applications (colours match mounting brackets and bottom bar end caps)
Fully Assembled System	Completely assembled unit conceals the roller shade from the interior and exterior space
Smooth and Quiet Operation	Clutches are made from UV stabilised, glass-filled nylon and contain 4 small square profiled springs. The result is a strong clutch that operates smoothly with minimal effort.
Zero Gravity Compatible	Shade is raised and lowered manually to the desired position with minimal effort. (No clutch and chain required)
NEO Chainless Compatible	Can easily be retracted by a slight pull of the bottom bar or blind pull. The spring end helps to retract the shade while the speed reducer slows the shade down as it approaches the upper limit.
Multi in 1 (Separate Control) Options	SB Multi in 1: Allows a group of shades to be driven individually under a single cassette.
Automation Options	Allows for motorized controls with wireless remotes, switches or other smart devices



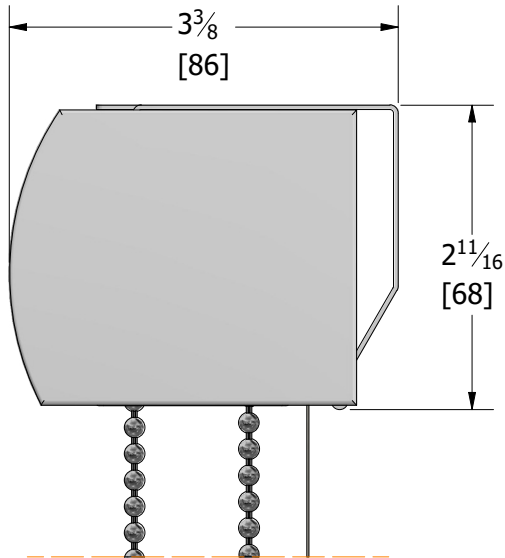
ROLLER SHADE SYSTEMS

Compact Curved Cassette: Chain Operated

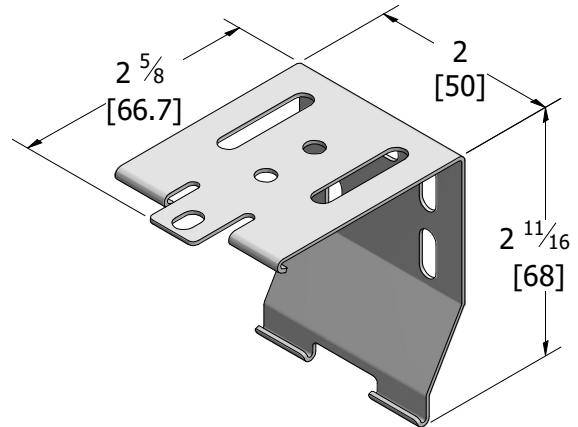
Dimensions & Measurements

All Dimensions Are In Inches [mm]

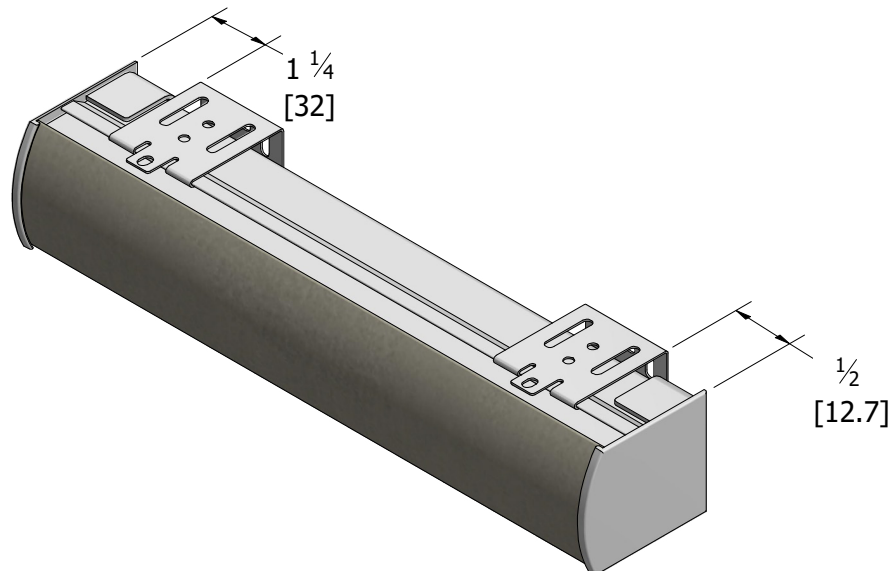
SIDE VIEW



MOUNTING BRACKET



BRACKET SPACING





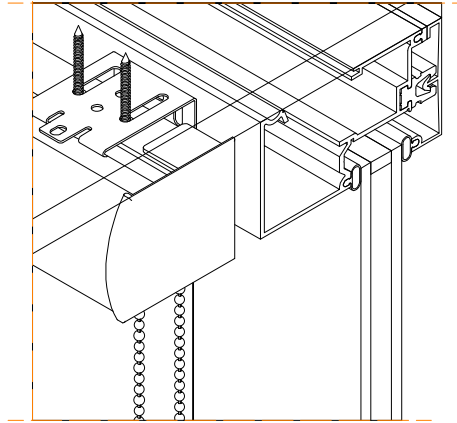
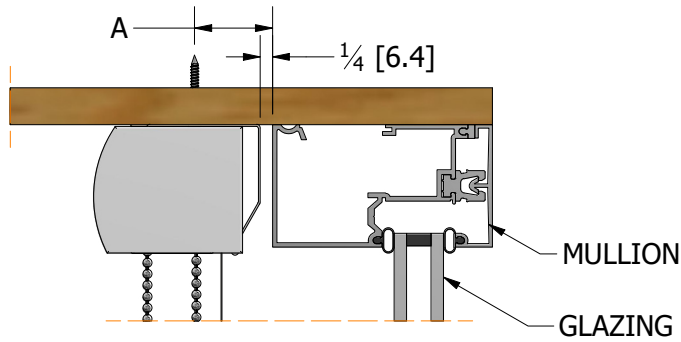
ROLLER SHADE SYSTEMS

Compact Curved Cassette: Chain Operated

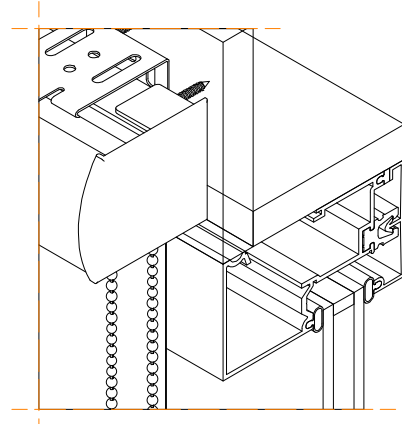
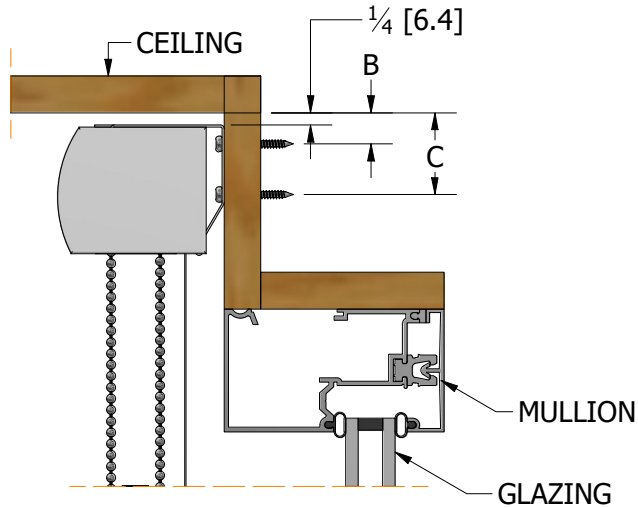
Mounting Details

All Dimensions Are In Inches [mm]

CEILING MOUNT VIEW



WALL MOUNT VIEW



A = MEASUREMENT FROM WALL FACE TO FURTHEST SCREW
 B = MEASUREMENT FROM CEILING FACE TO NEAREST SCREW
 C = MEASUREMENT FROM CEILING FACE TO FURTHEST SCREW

Mounting Brackets Considered

System	Bracket Type	A	B	C
Compact Curved Cassette	1.25 [32] Slimline Bracket	1 9/16 [39.7]	5/8 [15.9]	1 9/16 [39.7]



ROLLER SHADE SYSTEMS

Square Cassette: Chain Operated

Features & Benefits

All Dimensions Are In Inches [mm]

LIGHT GAPS (APPROXIMATE)

$\frac{9}{16} \pm \frac{1}{8}$ [14 ± 3] $\frac{3}{4} \pm \frac{1}{8}$ [20 ± 3]

CASSETTE AND COVER COLOURS:

WHITE GREY LINEN BLACK

MINIMUM SHADE WIDTH = 6 [152.4]
MAX ROLL UP DIAMETER (RUD) = 2 13/16 [71]

FEATURES	BENEFITS
Flexible Brackets	Snap on mounting brackets, coated in zinc can be ceiling or wall mounted.
Fabric Wrap Option	Front of cassette can be wrapped with fabric to match the roller shade.
Colour Matching Bracket Covers	Provides a finished look for outside wall mounted applications (colours match bottom bar end caps).
Fully Assembled System	Completely assembled unit conceals the roller shade from the interior and exterior space.
Smooth and Quiet Operation	Clutches are made from UV stabilised, glass-filled nylon and contain 4 small square profiled springs. The result is a strong clutch that operates smoothly with minimal effort.
SB Lift Assist Mechanism (SB LAM) Compatible	SB LAM reduces the pull force required to lift heavy shades when attached to the clutch.
Zero Gravity Compatible	Shade is raised and lowered manually to the desired position with minimal effort. (No clutch and chain required).
NEO Chainless Compatible	Can easily be retracted by a slight pull of the bottom bar or blind pull. The spring end helps to retract the shade while the speed reducer slows the shade down as it approaches the upper limit.
Multi Banded (Single Control) Options	SB Multi Band Straight: Allows a group shades to be linked together and driven by a single clutch or motor. Each link can be adjusted to align and level the bottom bars together. All brackets can be covered by a single cassette.
Multi in 1 (Separate Control) Options	SB Multi in 1: Allows a group of chain operated, motorized and zero gravity shades to be driven individually under a single cassette.
Automation Options	Allows for motorized controls with wireless remotes, switches or other smart devices.



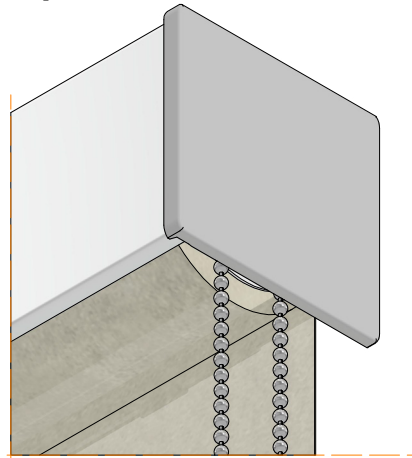
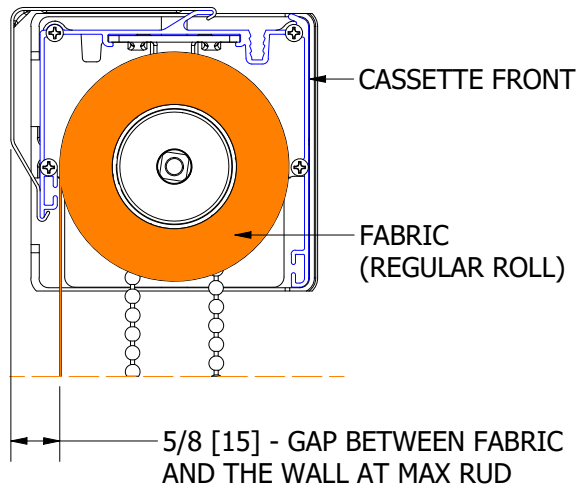
ROLLER SHADE SYSTEMS

Square Cassette: Chain Operated

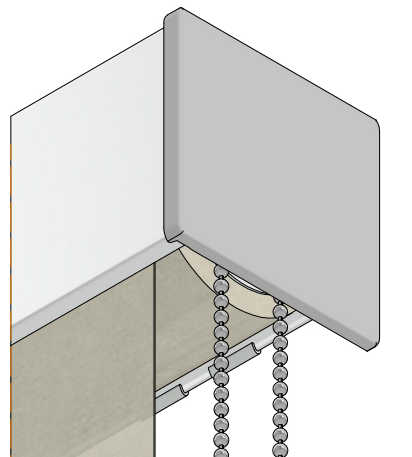
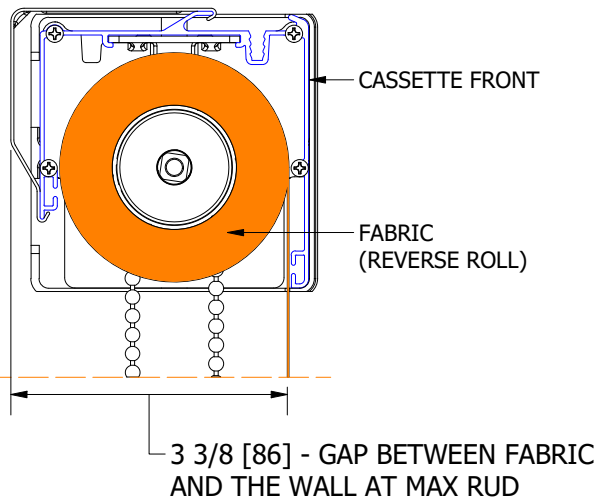
Configurations

All Dimensions Are In Inches [mm]

OPTION [1] (Regular Roll)



OPTION [2] (Reverse Roll)





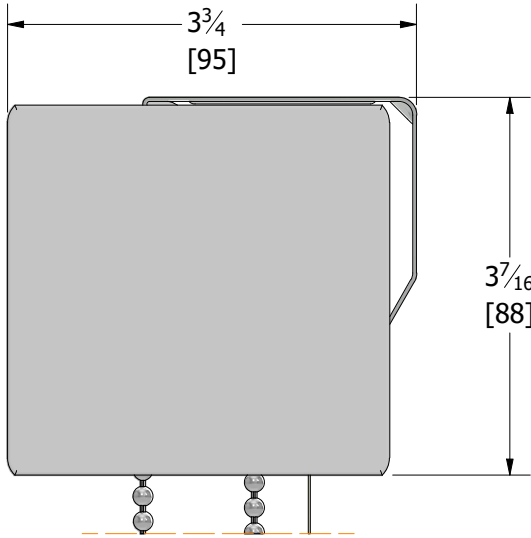
ROLLER SHADE SYSTEMS

Square Cassette: Chain Operated

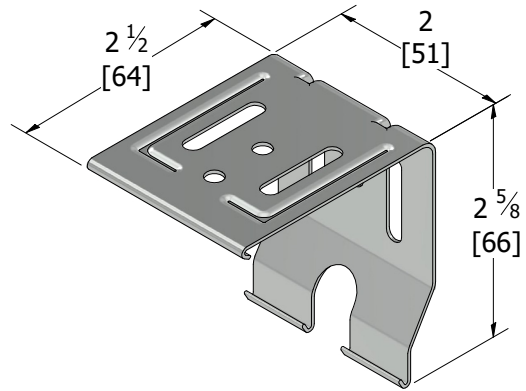
Measurements & Sizes

All Dimensions Are In Inches [mm]

SIDE PROFILE



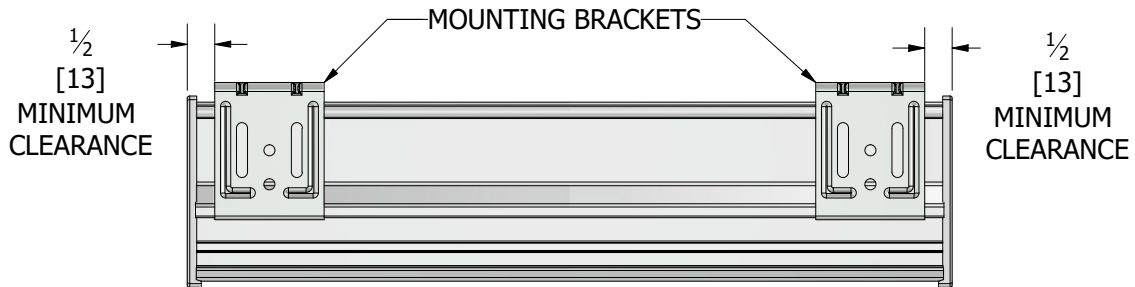
ISOMETRIC VIEW
(Bracket Size)



TOP VIEW
(Bracket Spacing)

Brackets Required By Width

Shade Width	<60"	60"-96"	96"-120"	120"-148"	>148"
# of Brackets	2	3	4	5	6



NOTE:

Mounting bracket can be installed anywhere along the top of the cassette, except for minimum clearance area shown. Each Mounting Bracket Requires a minimum of **2 screws** for **ceiling** or **wall** mounts.

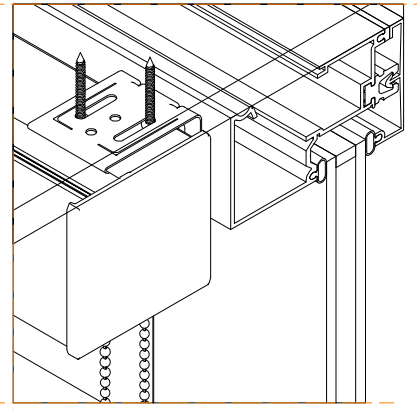
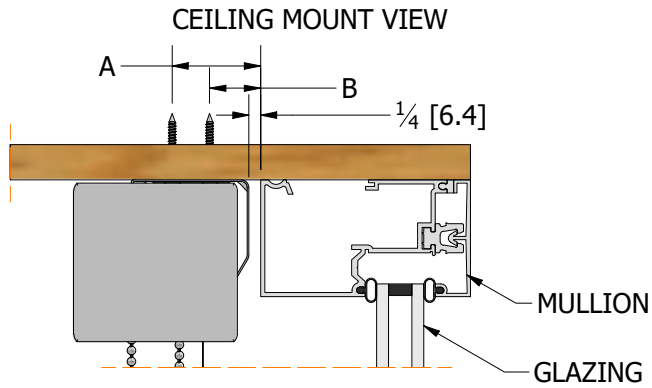


ROLLER SHADE SYSTEMS

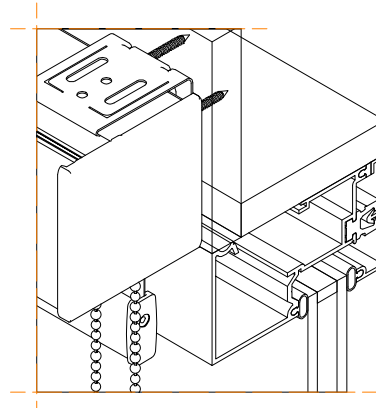
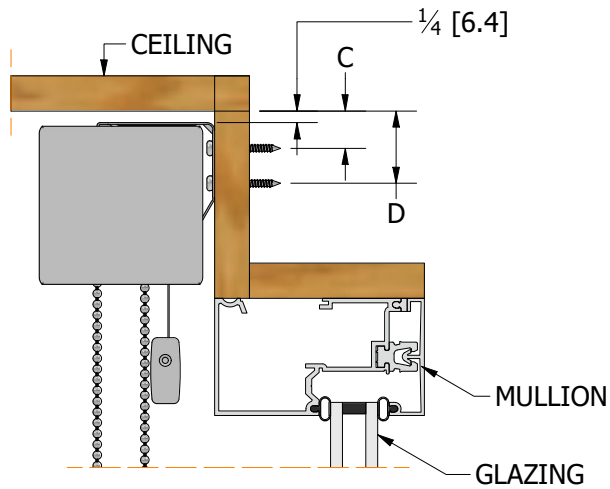
Square Cassette: Chain Operated

Mounting Details

All Dimensions Are In Inches [mm]



WALL MOUNT VIEW



A = MEASUREMENT FROM WALL FACE TO FURTHEST SCREW
 B = MEASUREMENT FROM CEILING FACE TO NEAREST SCREW
 C = MEASUREMENT FROM CEILING FACE TO FURTHEST SCREW

Mounting Brackets Considered

System Type	A	B	C	D
Square Cassette	1 7/8 [48]	1 1/8 [28]	13/16 [20]	1 9/16 [39]



ROLLER SHADE SYSTEMS

Product Information: L-Channel Mounting Details

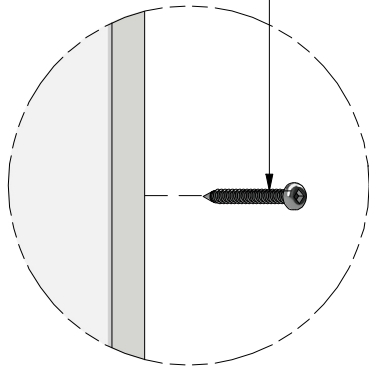
All Dimensions Are In Inches [mm]

SPACE BETWEEN L CHANNEL
AND THE VALANCE

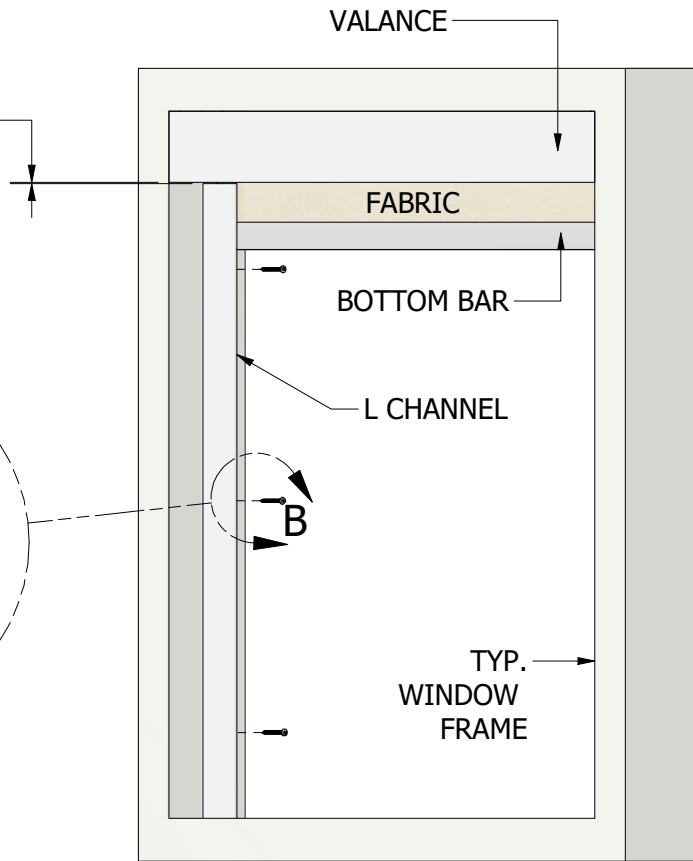
$$\frac{1}{16} \pm \frac{1}{32}$$

$$[2 \pm .8]$$

TYP.
#8x1.5
PAN SOCKET
TAPPING SCREW

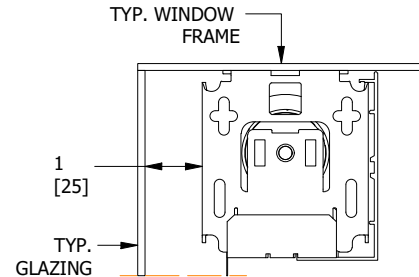
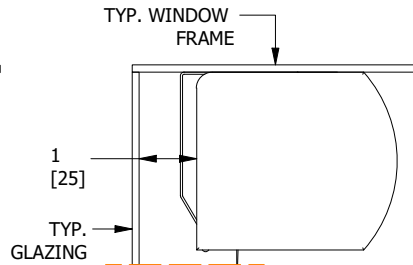
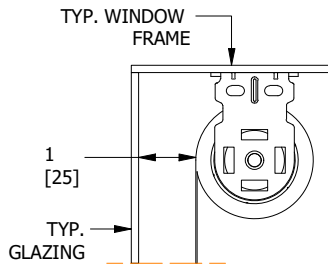


DETAIL B
SCALE 1 / 2



NOTE:

- L CHANNEL IN FRONT OF THE FABRIC SHOWN ABOVE. TO SEE L CHANNEL BEHIND THE FABRIC REFER TO ALTERNATIVE CONFIGURATIONS CUT SHEET.
- IF MOUNTING THE L CHANNEL BEHIND THE FABRIC A 1" [25.4MM] CLEARANCE IS REQUIRED BETWEEN THE SHADE SYSTEM AND GLAZING, SEE BELOW.





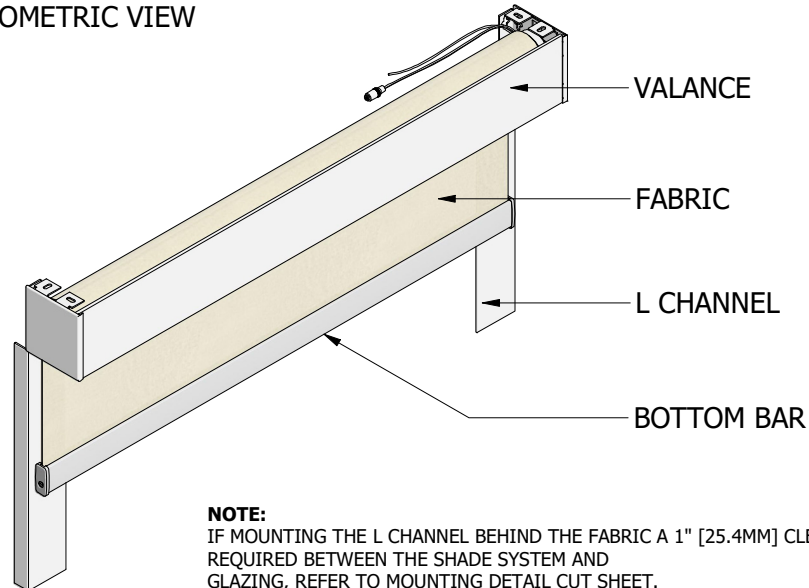
ROLLER SHADE SYSTEMS

Product Information: L-Channel Configurations

All Dimensions Are In Inches [mm]

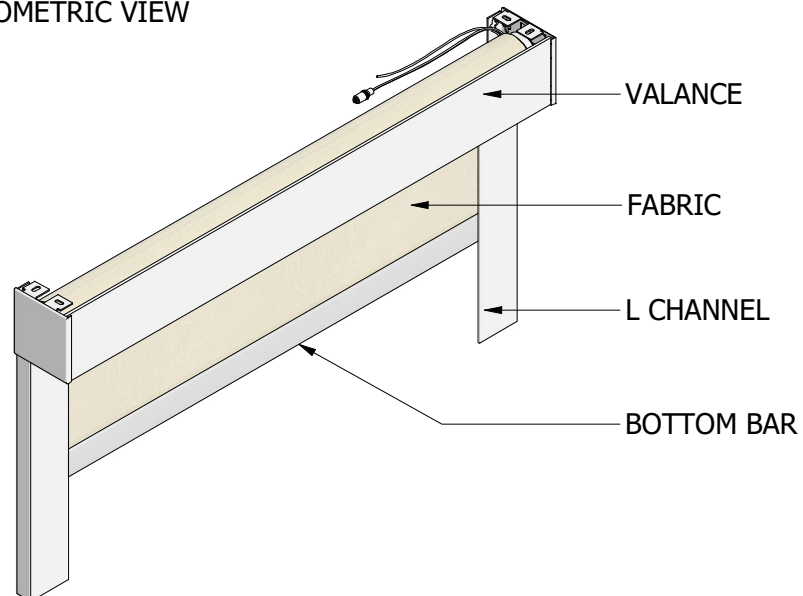
L CHANNEL BEHIND THE BOTTOM BAR AND FABRIC

ISOMETRIC VIEW



L CHANNEL IN FRONT OF THE BOTTOM BAR AND FABRIC

ISOMETRIC VIEW

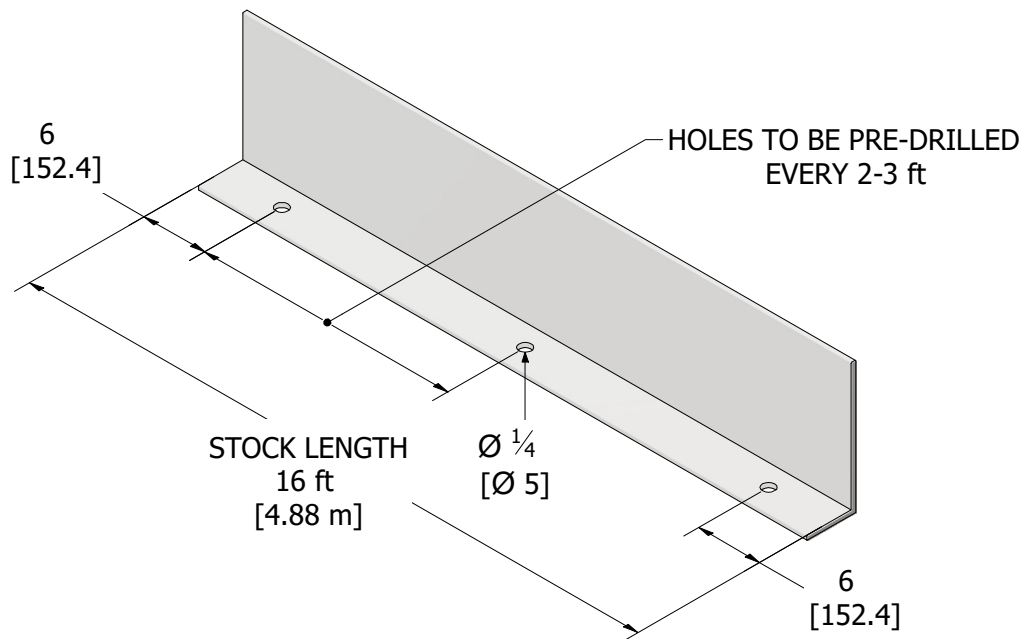
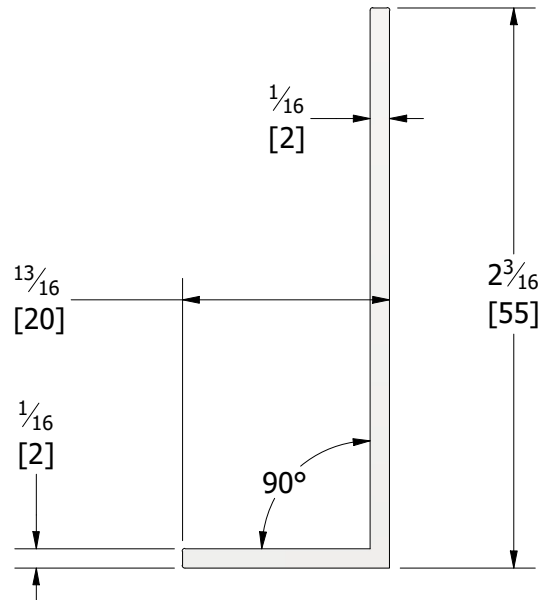




ROLLER SHADE SYSTEMS

Product Information: L-Channel Measurements and Sizes

All Dimensions Are In Inches [mm]

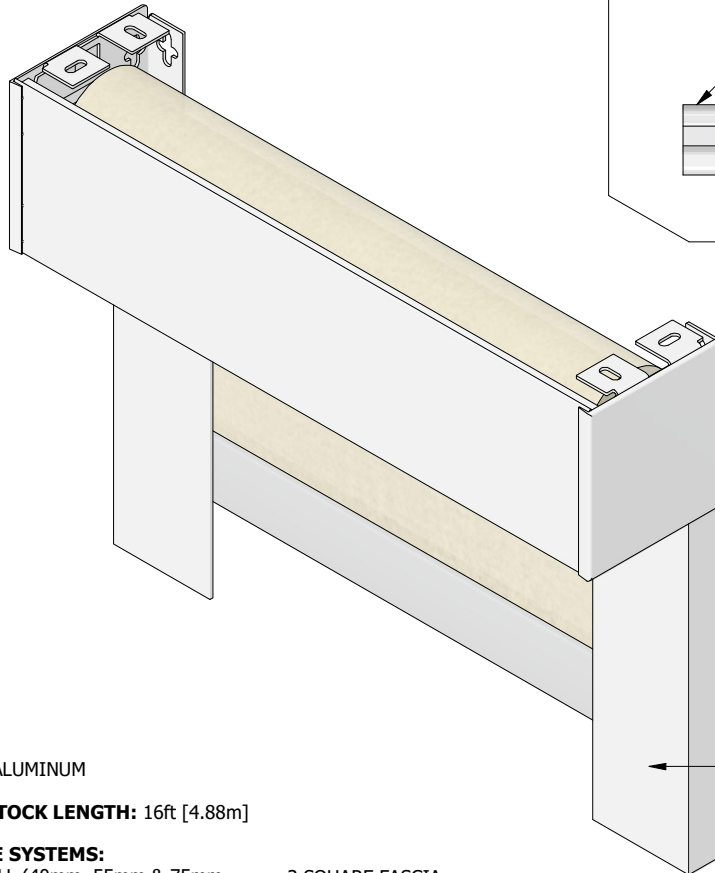




ROLLER SHADE SYSTEMS

Product Information: L-Channel Features and Benefits

All Dimensions Are In Inches [mm]



MATERIAL: ALUMINUM

MAXIMUM STOCK LENGTH: 16ft [4.88m]

COMPATIBLE SYSTEMS:

- OPEN ROLL (40mm, 55mm & 75mm SLIM LINE BRACKETS)
- COMPACT CURVED CASSETTE
- CURVED CASSETTE
- 3 SQUARE FASCIA
- 4 SQUARE FASCIA
- DUAL OPEN ROLL
- DUAL SQUARE FASCIA

NOTE: 3" SQUARE FASCIA SYSTEM SHOWN AS AN EXAMPLE.

FEATURES	BENEFITS
Glare Reduction	Minimizes the light penetration that can be seen through the Roller Shade light gaps on either side.
Bottom Bar Options	Works with a wide variety of Roller Shade bottom bars.
Different Mounting Orientations	Can be laterally mounted in the front or behind the bottom bar and fabric.
Bottom Channel (Optional)	Reduces the Light Penetration at the bottom window ledge.
System Flexibility	Can be used in conjunction with Chain Operated or Motorized Roller Shade Systems.



ROLLER SHADE ACCESSORIES

Telescopic Draw Rod (TDR) & Accubar 2.1 Pull Tab

TDR & Accubar2.1 Pull Tab: Features & Benefits

All Dimensions Are In Inches [mm]

TELESCOPIC DRAW ROD (TDR) CLICKING INTO TDR HOLDER:

ACCUBAR 2.1 PULL TAB & TDR HOLDER COLOURS:

WHITE - PLASTIC

TELESCOPIC DRAW ROD COLOURS:

GREY - PLASTIC

TELESCOPIC DRAW ROD LENGTHS:
 MIN LENGTH: 14 $\frac{3}{16}$ [360]
 MAX LENGTH: 24 $\frac{1}{2}$ [622]

NOTE: THE ACCUBAR 2.1 PULL TAB CAN ALSO BE USED ON ITS OWN, WITHOUT THE TELESCOPIC DRAW ROD.

FEATURES	BENEFITS
Long Reach	Allows for the use of zero gravity operating system when shades would normally be out of reach.
Telescopic Draw Rod	The telescopic draw rod extends from 14" to 24" and has a hook-type attachment at the top. Can be easily shortened by spinning the feeler lock clockwise to lock the desired length.
Attachable Pull Tab	The Accubar 2.1 pull tab clips onto the Sun Glow Accubar 2.1 bottom bar and allows the telescopic draw rod to be used. It can be used on wrapped and unwrapped Accubar 2.1 bottom bar.
Adaptable Hook-Type Attachment	The hook-type attachment is shaped to fit into the Accubar 2.1 pull tab to assist in lowering and raising zero gravity shades.
Mountable TDR Holder	The TDR holder allows the telescopic draw rod to be mounted inside or outside the window frame.



ROLLER SHADE ACCESSORIES

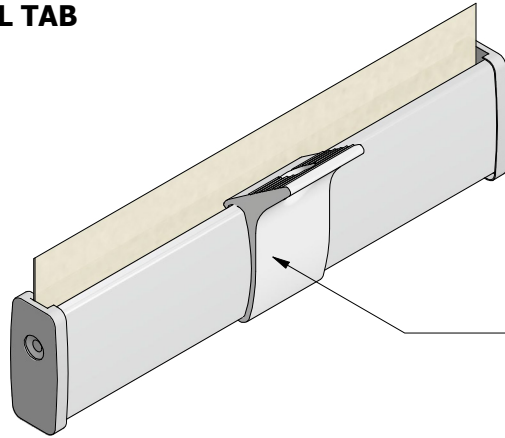
Telescopic Draw Rod (TDR) & Accubar 2.1 Pull Tab

TDR & Accubar2.1 Pull Tab: Configuraton

All Dimensions Are In Inches [mm]

OPTION [1]

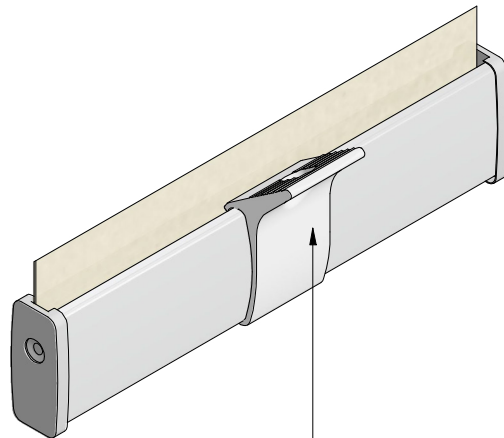
ACCUBAR 2.1 PULL TAB



ACCUBAR 2.1 PULL TAB
(CAN BE USED WITH
WRAPPED & UNWRAPPED
ACCUBAR 2.1 BOTTOM BAR.)

OPTION [2]

ACCUBAR 2.1 PULL TAB WITH TELESCOPIC DRAW ROD (TDR) & TDR HOLDER



ACCUBAR 2.1 PULL TAB
(CAN BE USED WITH
WRAPPED & UNWRAPPED
ACCUBAR 2.1 BOTTOM BAR.)

TELESCOPIC
DRAW ROD (TDR)

TDR HOLDER

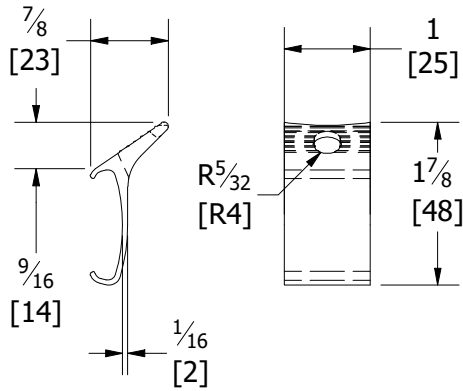


ROLLER SHADE ACCESSORIES

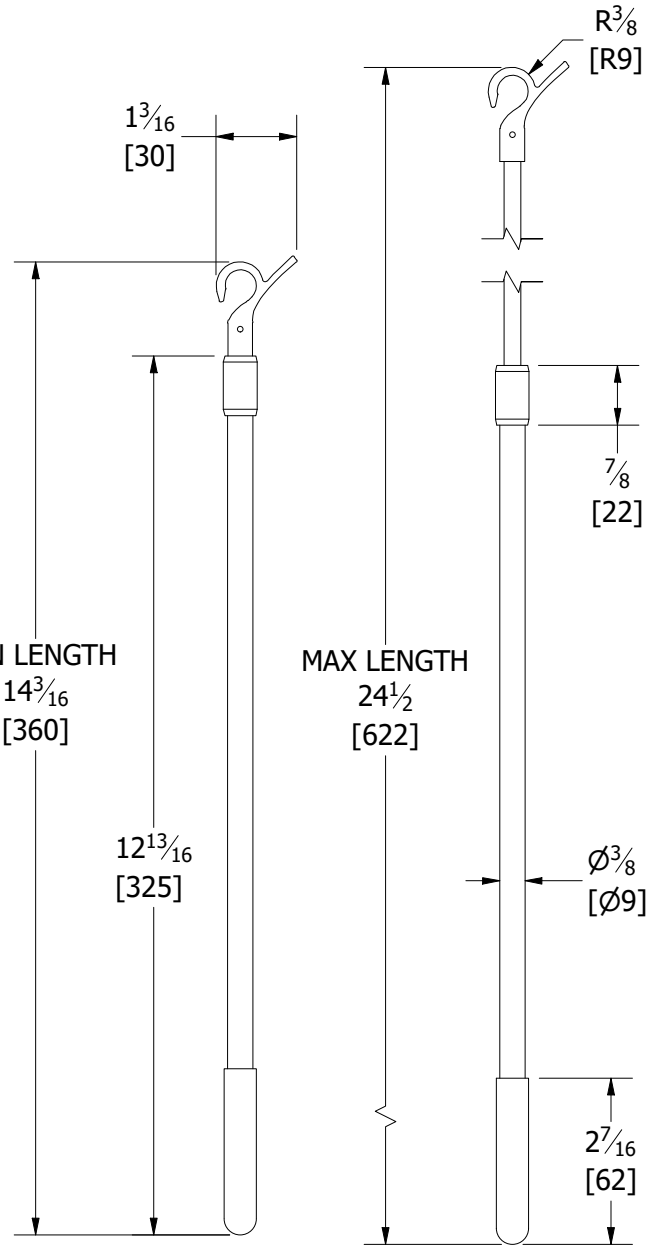
Telescopic Draw Rod (TDR) & Accubar 2.1 Pull Tab

TDR & Accubar2.1 Pull Tab: Measurements & Sizes

All Dimensions Are In Inches [mm]



ACCUBAR 2.1 PULL TAB

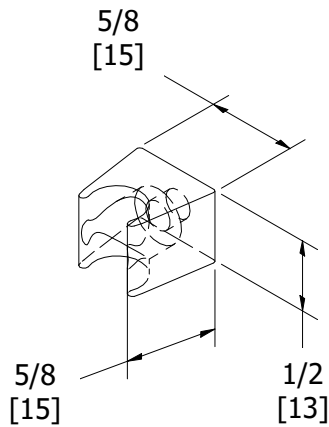


MIN LENGTH
14³/₁₆
[360]

MAX LENGTH
24¹/₂
[622]

TDR
(CLOSED)

TDR
(EXTENDED)



TDR HOLDER



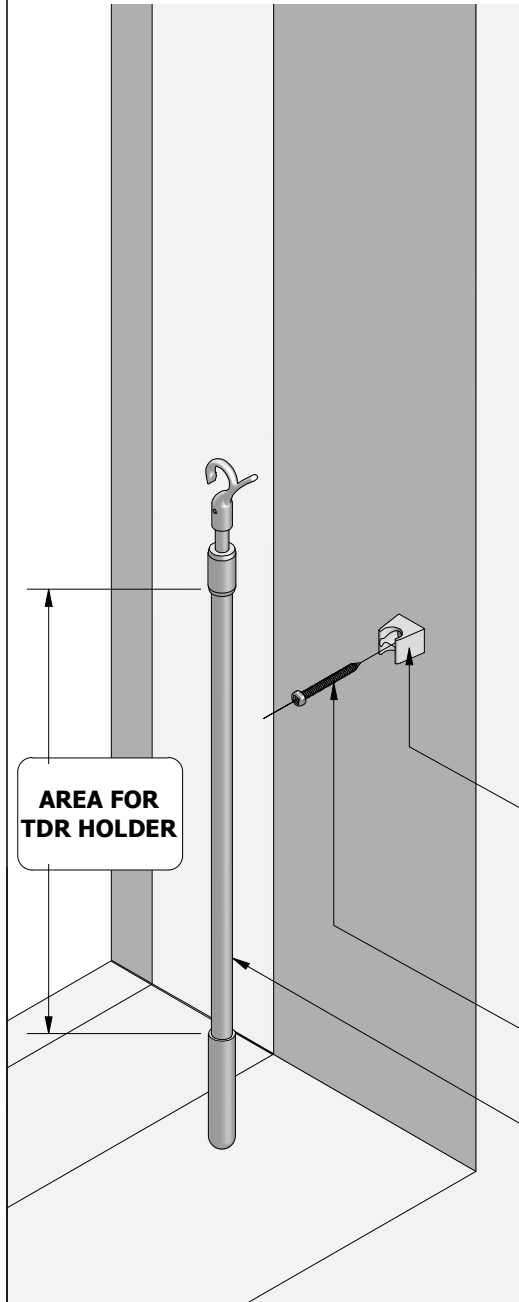
ROLLER SHADE ACCESSORIES

Telescopic Draw Rod (TDR) & Accubar 2.1 Pull Tab

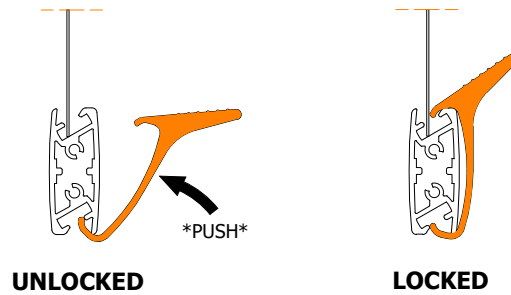
TDR & Accubar2.1 Pull Tab: Mounting Details

All Dimensions Are In Inches [mm]

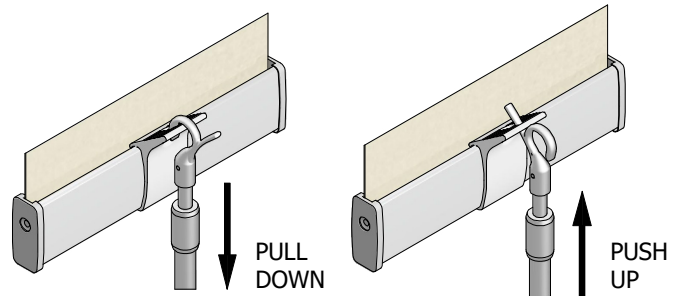
TELESCOPIC DRAW ROD (INSTALLATION)



ACCUBAR 2.1 PULL TAB (INSTALLATION)



TELESCOPIC DRAW ROD (RECOMMENDED OPERATION)



TDR HOLDER
MUST BE SECURELY ATTACHED ONTO WOOD FRAME. OTHERWISE USE APPROPRIATE ANCHORS WHEN MOUNTING ONTO DRYWALL OR OTHER SURFACES.

1 1/2 [38] MOUNTING SCREW

TELESCOPIC DRAW ROD
CLICKS INTO TDR HOLDER

NOTE:
TDR HOLDER ONLY WORKS IN AREA SHOWN. REFER TO DISTANCE INDICATED.