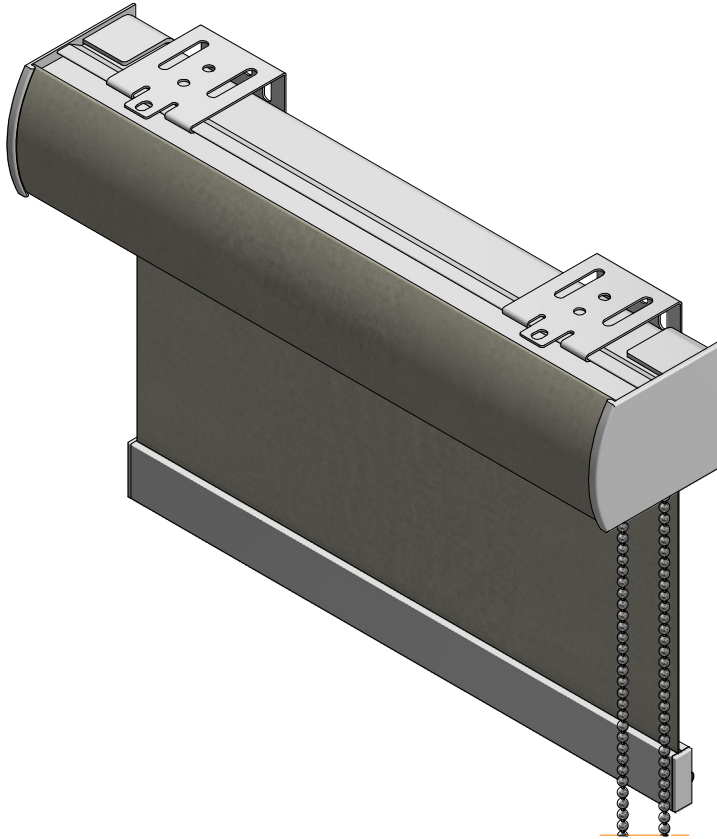




# Roller Shades

## Valance Option: Compact Curved Cassette



Light Gaps	
Idle End	Drive End
5/8" ±1/8"	3/4" ±1/8"

Includes End Caps

### Features & Benefits

- Option for the front of the cassette to be wrapped with fabric to match the shade fabric.
- Completely assembled unit conceals the roller shade from the interior and exterior space.
- Allows for motorized controls with wireless remotes, switches or other smart devices.
- Compatible with the Zero Gravity system which allows the shade to be raised and lowered manually to the desired position with minimal effort. (No clutch and chain required).
- Compatible with the NEO Chainless system which allows the shade to easily be retracted by a slight pull of the bottom bar or blind pull. The spring end helps to retract the shade while the speed reducer slows the shade down as it approaches the upper limit.
- Multi in 1 (separate control) allow a group of shades to be driven individually under a single cassette.
- Snap on flexible mounting brackets can be ceiling or wall mounted.
- Available in white, anodized, linen, brown, and black with matching end caps.



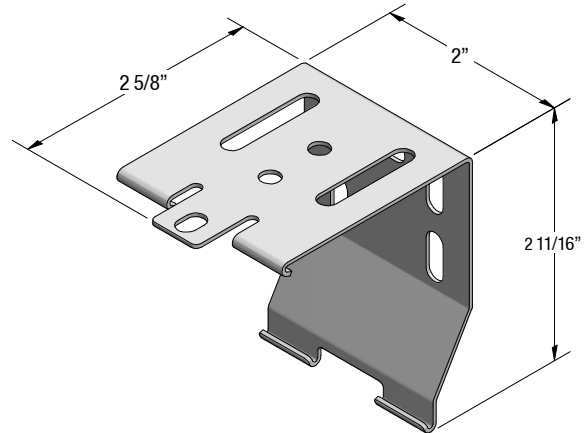
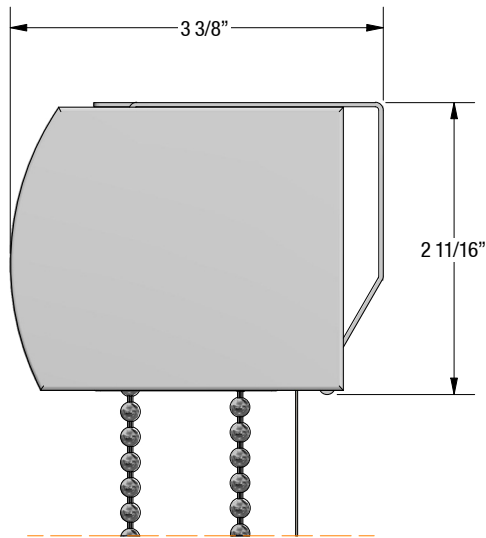
**LIGHT GAP MAY INCREASE** when width to height ratio is 1:2.5 or greater



# Roller Shades

## Valance Option: Compact Curved Cassette

### Dimensions & Overview



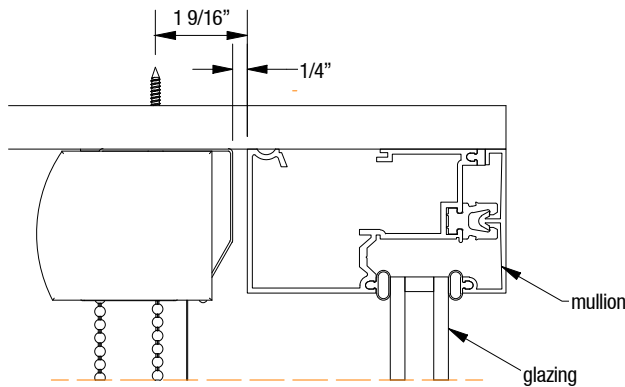
#### Brackets Required By Width

Shade Width	<60"	60"-96"	96"-120"	120"-148"	>148"
# of Brackets	2	3	4	5	6

\* Each mounting bracket requires a minimum of 2 screws for ceiling or wall mounts.

### Mounting Specifications

#### Ceiling Mount



#### Wall Mount

