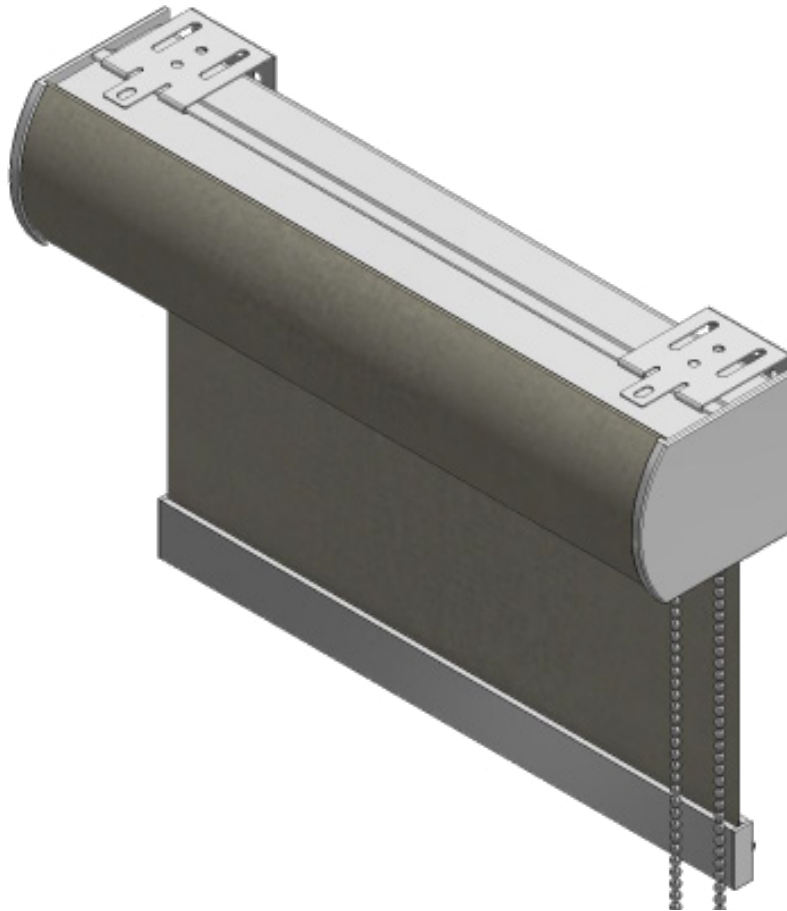




Roller Shades

Valance Option: Curved Cassette



Light Gaps	
Idle End	Drive End
5/8" ±1/8"	7/8" ±1/8"

Includes End Caps

Features & Benefits

- Sleek look accommodates upscale commercial needs and affords greater residential appeal.
- Front of cassette can be wrapped with fabric to match the roller shade fabric.
- Fully assembled design makes for quick and easy installation.
- Snap on mounting brackets can be ceiling or wall mounted.
- Available in white, anodized, linen, brown, and black with matching end caps.



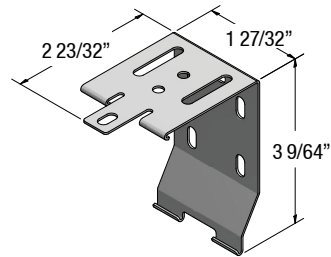
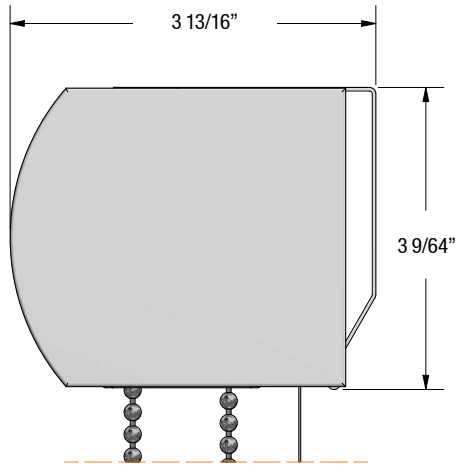
LIGHT GAP MAY INCREASE when width to height ratio is 1:2.5 or greater



Roller Shades

Valance Option: Curved Cassette

Dimensions & Overview



Brackets Required By Width					
Shade Width	<60"	60"-96"	96"-120"	120"-148"	>148"
# of Brackets	2	3	4	5	6

Mounting Specifications

