

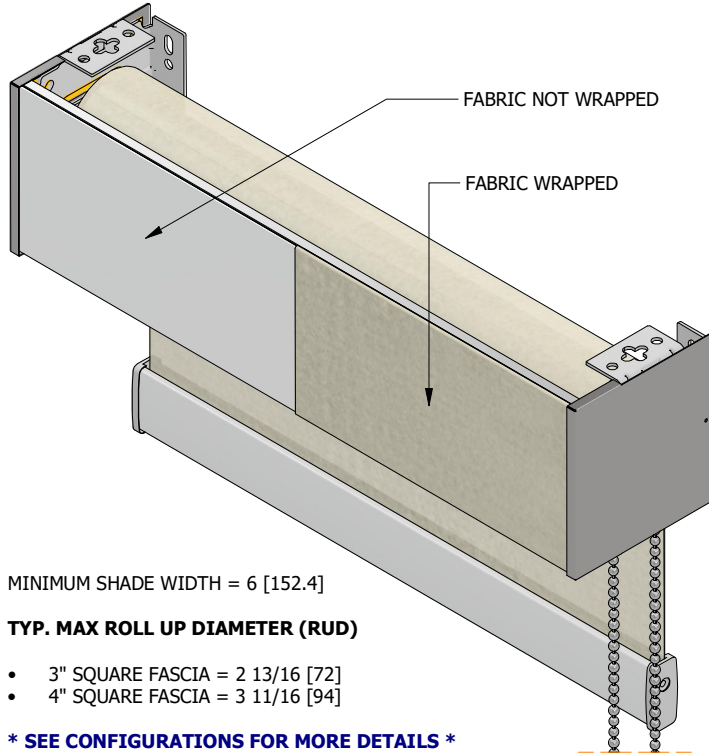


ROLLER SHADE SYSTEMS

3" and 4" Square Fascia: Chain Operated

Features & Benefits

All Dimensions Are In Inches [mm]



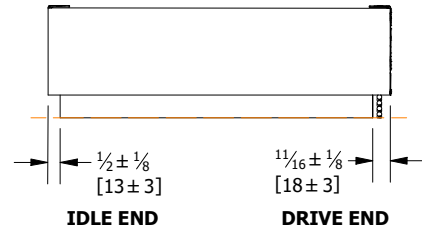
MINIMUM SHADE WIDTH = 6 [152.4]

TYP. MAX ROLL UP DIAMETER (RUD)

- 3" SQUARE FASCIA = 2 13/16 [72]
- 4" SQUARE FASCIA = 3 11/16 [94]

* SEE CONFIGURATIONS FOR MORE DETAILS *

LIGHT GAPS (APPROXIMATE)



END CAP THICKNESS: 1/32±1/64 [0.8±0.4]

FASCIA AND COVER COLOURS:



FEATURES	BENEFITS
Heavy Duty Mounting Brackets	Can be ceiling, wall or laterally mounted.
Fabric Wrap Option	Front profile can be wrapped with fabric to match the roller shade.
Thin Bracket Covers	Provides a finished look when outside or partially inside mounting the fascia. Thin metal design to reduce light gaps. (colours match fascia)
Clip On Fascia Design	Fascia securely locks onto each bracket/guard and can be removed to allow access to the shade. Also can be mounted reverse roll.
Universal Chain and Flat Guard Design	Clip on chain guard allows the roller chain to hang away from the fascia and maintains a smooth feel during operation. The flat guard is used to secure the fascia at the idle end. If using fascia for zero gravity or motorized systems two flat guards are required. Notching the fascia is not required.
SB Lift Assist Mechanism (SB LAM) Compatible	SB LAM reduces the pull force required to lift heavy shades when attached to the clutch.
Zero Gravity Compatible	Shade is raised and lowered manually to the desired position with minimal effort. (No clutch and chain required)
Multi Banded (Single Control) Options	SB Multi Band Straight: Allows a group shades to be linked together and driven by a single clutch or motor. Each link can be adjusted to align and level the bottom bars together. All brackets can be covered by a single fascia.
Multi in 1 (Separate Control) Options	SB Multi in 1: Allows a group of shades to be driven individually under a single cassette.
Automation Options	Allows for motorized controls with wireless remotes, switches or other smart devices.



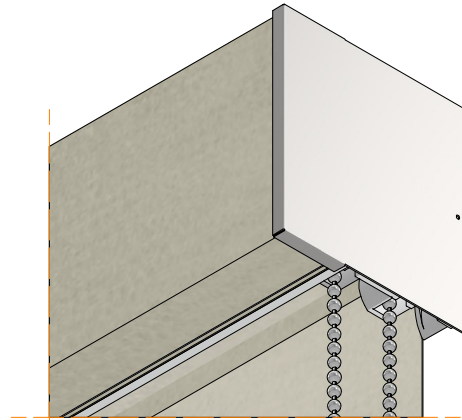
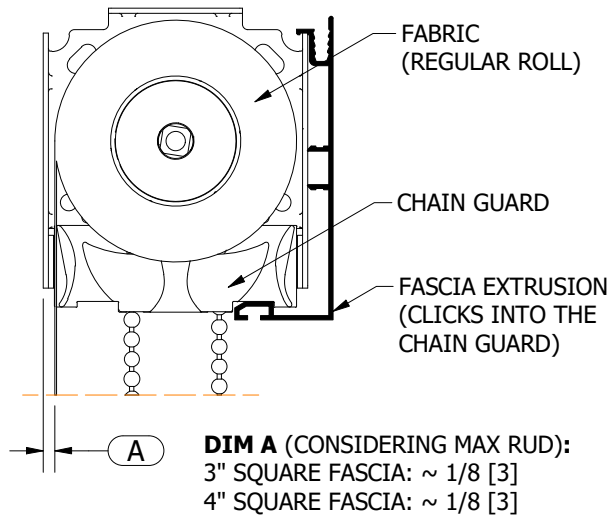
ROLLER SHADE SYSTEMS

3" and 4" Square Fascia: Chain Operated

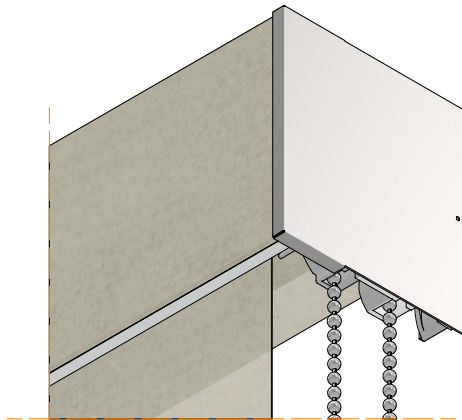
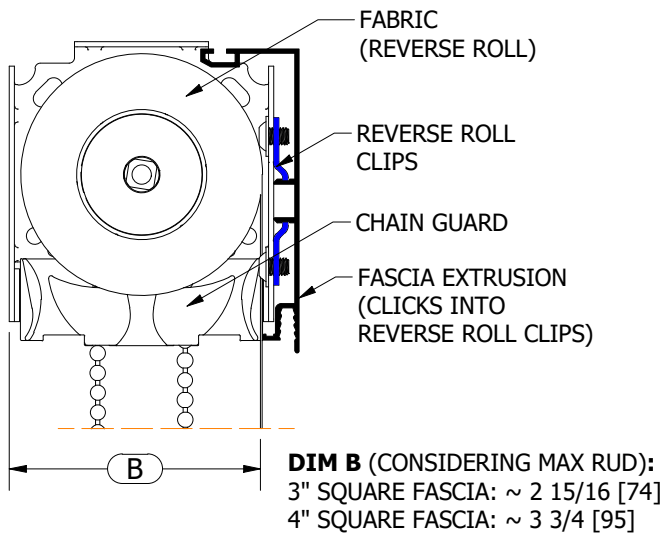
Configurations

All Dimensions Are In Inches [mm]

FASCIA **WITH RETURN** OPTION [1] (Regular Roll)



FASCIA **WITHOUT RETURN** OPTION [2] (Reverse Roll)





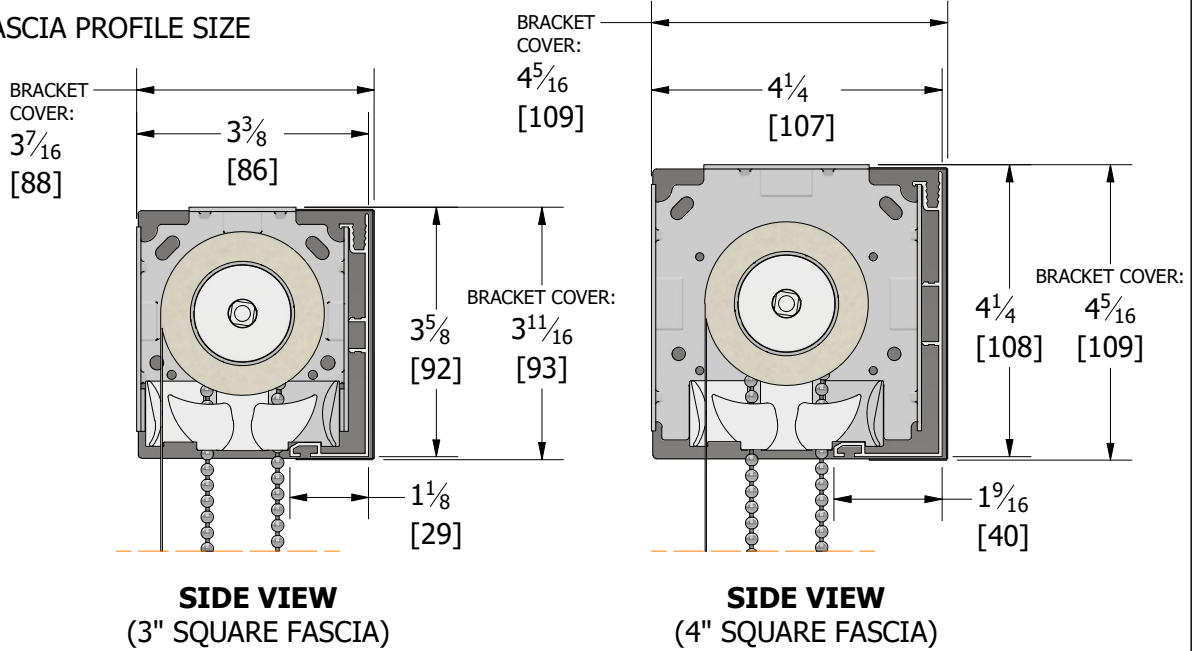
ROLLER SHADE SYSTEMS

3" and 4" Square Fascia: Chain Operated

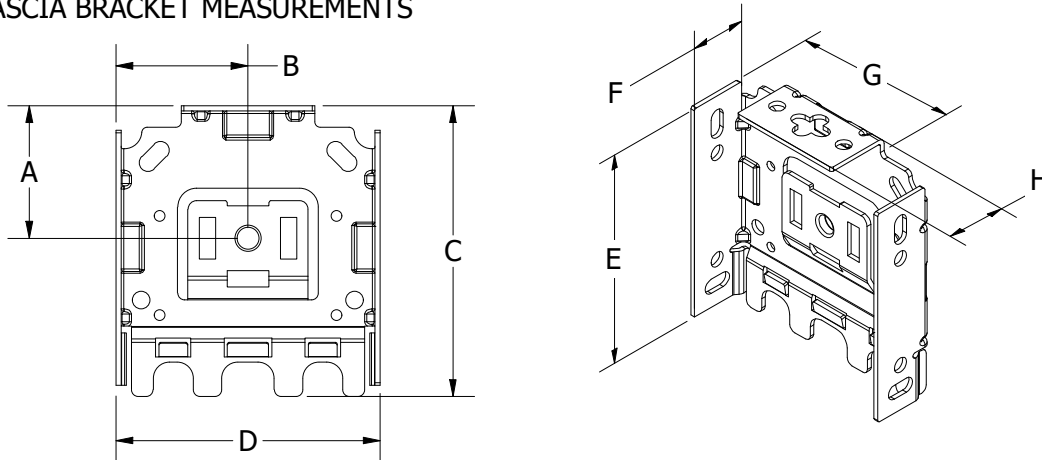
Dimensions & Measurements

All Dimensions Are In Inches [mm]

FASCIA PROFILE SIZE



FASCIA BRACKET MEASUREMENTS



System Type	A	B	C	D	E	F	G	H
3" Square Fascia	$1\frac{9}{16}$ [39]	$1\frac{9}{16}$ [39]	$3\frac{3}{8}$ [86]	$3\frac{1}{16}$ [78]	3 [75]	$\frac{7}{8}$ [22]	$2\frac{5}{16}$ [59]	$\frac{7}{8}$ [22]
4" Square Fascia	2 [51]	$1\frac{15}{16}$ [50]	4 [102]	$3\frac{15}{16}$ [100]	$3\frac{9}{16}$ [91]	$\frac{7}{8}$ [22]	$3\frac{3}{16}$ [81]	$\frac{7}{8}$ [22]

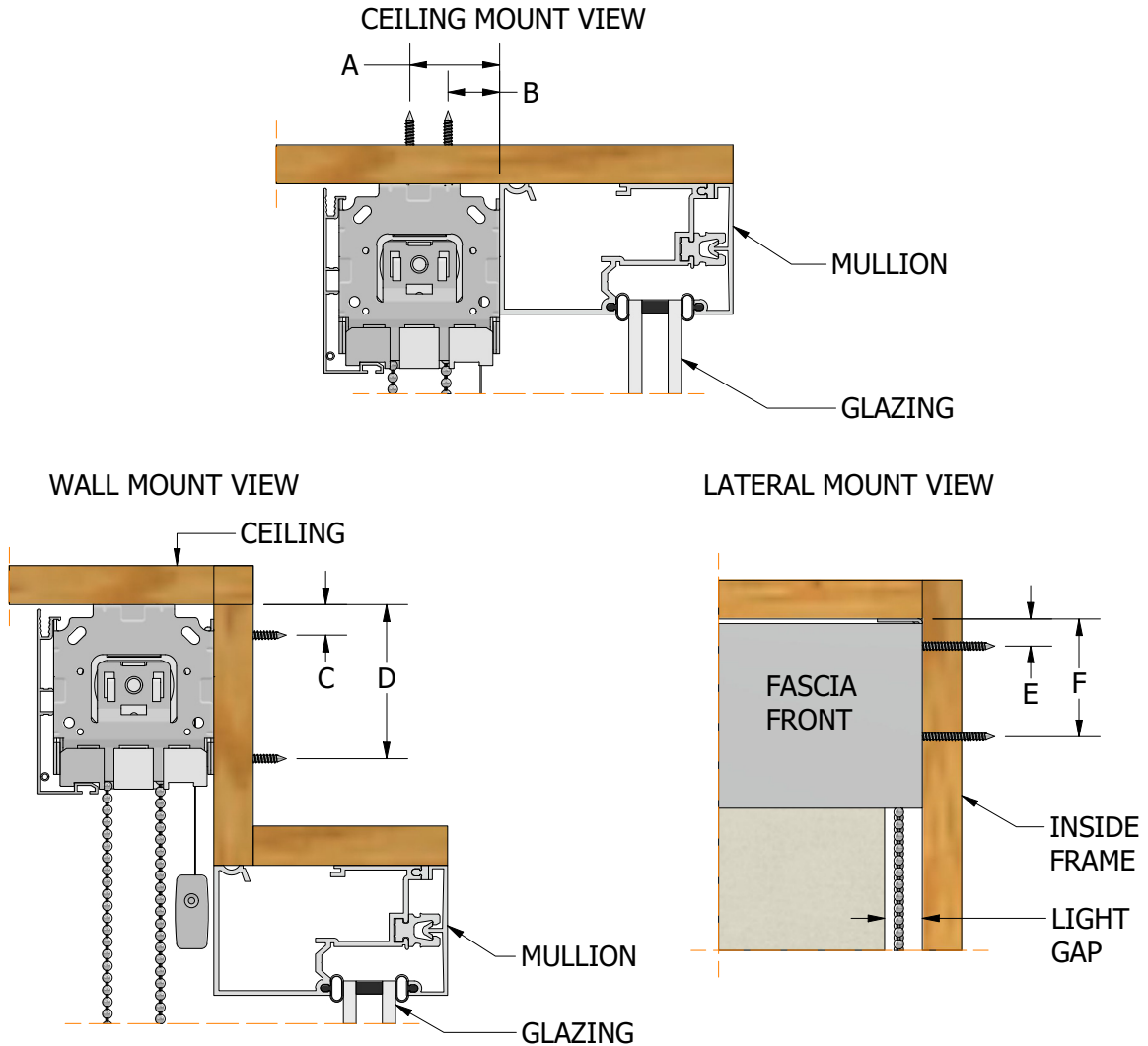


ROLLER SHADE SYSTEMS

3" and 4" Square Fascia: Chain Operated

Mounting Details

All Dimensions Are In Inches [mm]



A = MEASUREMENT FROM WALL FACE TO FURTHEST SCREW
 D = MEASUREMENT FROM CEILING FACE TO FURTHEST SCREW
 F = MEASUREMENT FROM CEILING FACE TO FURTHEST SCREW

COVERS SHOULD NOT BE USED FOR LATERAL MOUNT APPLICATIONS

Fascia Front & Mounting Brackets Considered

System Type	A	B	C	D	E	F
3" Square Fascia	1 3/4 [44]	1 [25.4]	9/16 [14]	2 15/16 [75]	1/2 [13]	2 1/4 [57]
4" Square Fascia	2 3/16 [55]	1 1/16 [27]	9/16 [14]	3 9/16 [91]	9/16 [14]	2 3/4 [70]