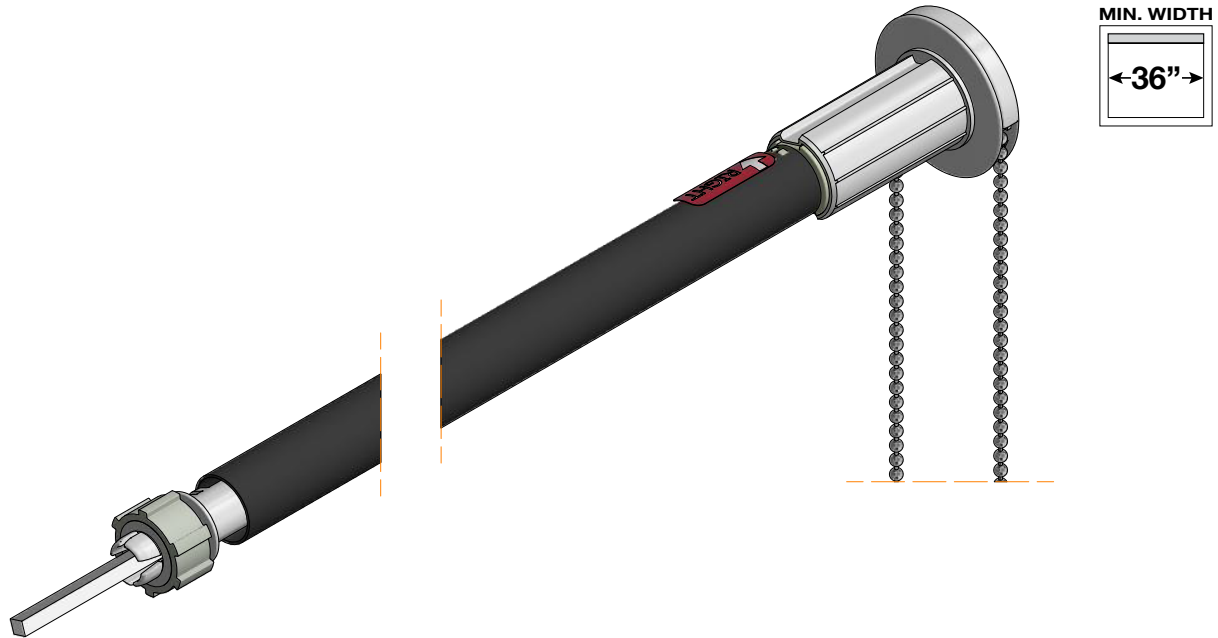




Roller Shades

Operating System: Lift Assist



Features & Benefits

- Recommended for large manually operated shades as it reduces the pull force required to operate the shade.
- Compatible with all Roller Shade valance options.
- Helps to prevent unwanted stress on the Clutch and other shade components and increases the longevity of the entire shade system.
- Safe to install without the risk of unwinding as it maintains the specified tension from factory assembly right through to the completed installation
- Inner foam sheath surrounds the aluminum shaft internally to reduce noise as the spring operates.
- Outer sheath helps to dampen spring noise while operating inside the tube.
- Rubberized drive wheels run smoothly and quietly inside the tube.