

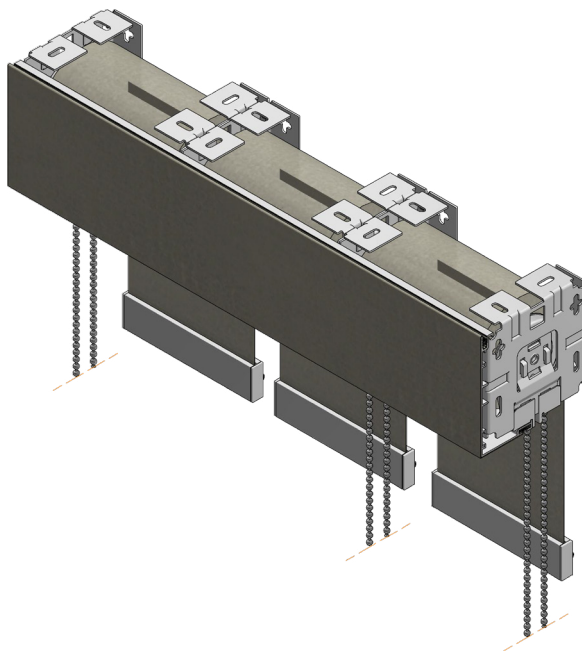


Roller Shades

Multi-In-One Shades

Configurations

Shades can be configured to have multiple shades within a single valance.



Compatible Systems:

- 3" Square Fascia
- 4" Square Fascia (shown)
- Square Cassette
- Curved Cassette
- Compact Curved Cassette
- Dual Square Fascia

Notes:

- Fabric wrapping is only available in widths that match or are narrower than the fabric width, unless the fabric can be railroaded.

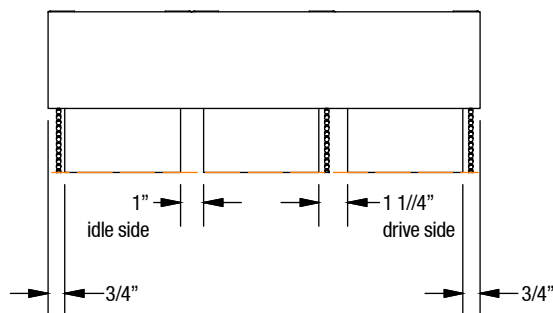
Operation:

- Each shade can have drive on left or right
- Compatible with chain, motor, and Zero Gravity operation methods
- Neo chainless available in both Curved Cassettes

Limitations:

- maximum width of 180"
- maximum of 3 shades in a single valance
- each individual shade must meet limitations

Light Gaps



Light gaps will vary depending on the valance and operating system options selected.

Notes:

- Light gap will increase by at least 1/4" on the drive side of each shade.