



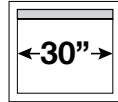
# Roller Shades

## Operating System: Neo Chainless

CEILING MOUNT

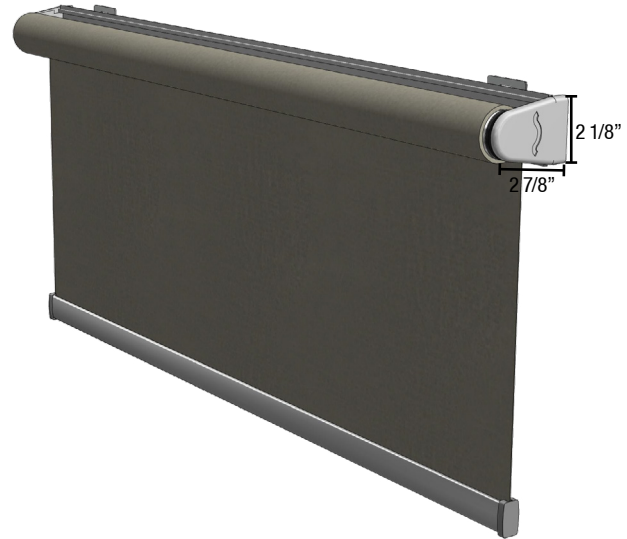


MIN. WIDTH

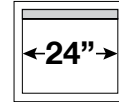


Neo Open Roll

WALL MOUNT



MIN. WIDTH



Neo in Curved Cassette  
or Compact Curved Cassette

### Features & Benefits

- Chainless design provides a clean look with no chains hanging.
- Can easily be operated by pulling the shade from the centre of the bottom bar or blind pull to the desired height.
- Can easily be retracted by a slight pull of the bottom bar or blind pull. The spring end helps to retract the shade while the speed reducer slows the shade down as it approaches the upper limit. Upper limit can be adjusted.
- Adjustable spring tension onsite using a 5mm allen key.
- Flexible mounting brackets can be ceiling or wall mounted. The position of the headrail can be altered for wall mounted applications.
- The spring loaded mechanism inside the mounting brackets makes installing the system easier.
- The white headrail, assembly brackets, and bracket covers provide a finished look from the interior. Also compatible with Curved Cassette valance.

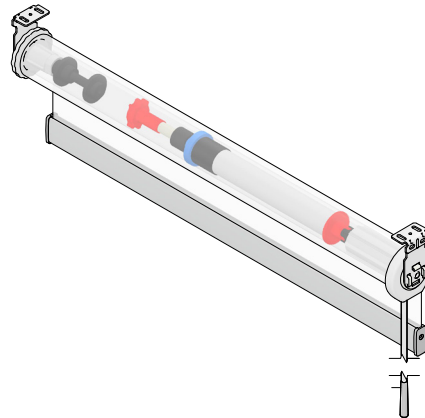


**LIGHT GAP MAY INCREASE** when width to height ratio is 1:2.5 or greater.



# Roller Shades

## Operating System: Neo EZ Pump



COMPATIBLE TUBES:



1.5in (38mm)  
S-TUBE

MIN. WIDTH

←31"→

MAX. WIDTH  
NEO EZ PUMP

←94.5"→



Neo EZ Pump Wand Lengths:  
24" or 36"

Neo Open Roll | Curved Cassette | 3" Square Fascia | 4" Square Fascia

### Features & Benefits

- Eliminates the need for free hanging loose chains/cords, while complying with latest industry child safe standards and regulations.
- Can be either controlled by the left or right side of the shade for easy accessibility.
- The shade can be lowered by pumping the NEO EZ pump wand or by pulling down on the bottom bar.
- Easily retracted by a slight pull of the NEO EZ pump wand or the bottom bar.
- The soft lift decelerator slows the shade down smoothly as it approaches the upper limit.
- The single limiter allows the upper limit to be fully adjustable while the shade is installed.
- If required, the spring tension can be easily adjusted by a #5 hex socket wrench.



**LIGHT GAP MAY INCREASE** when width to height ratio is 1:2.5 or greater.