



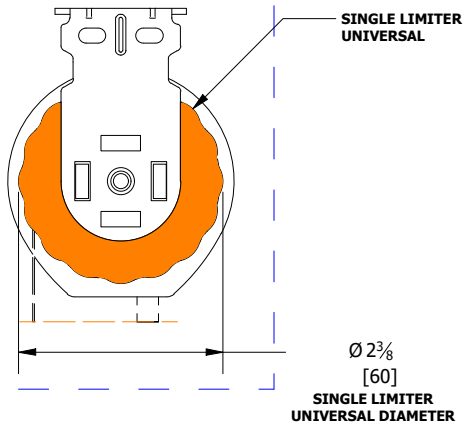
ROLLER SHADE SYSTEMS

Open Roll Chainless Systems

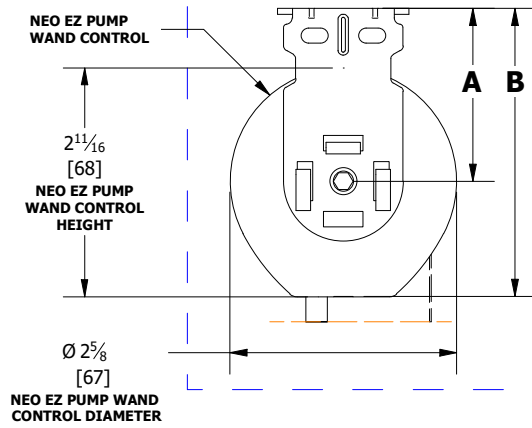
Neo Chainless System: Measurements & Sizes

All Dimensions Are In Inches [mm]

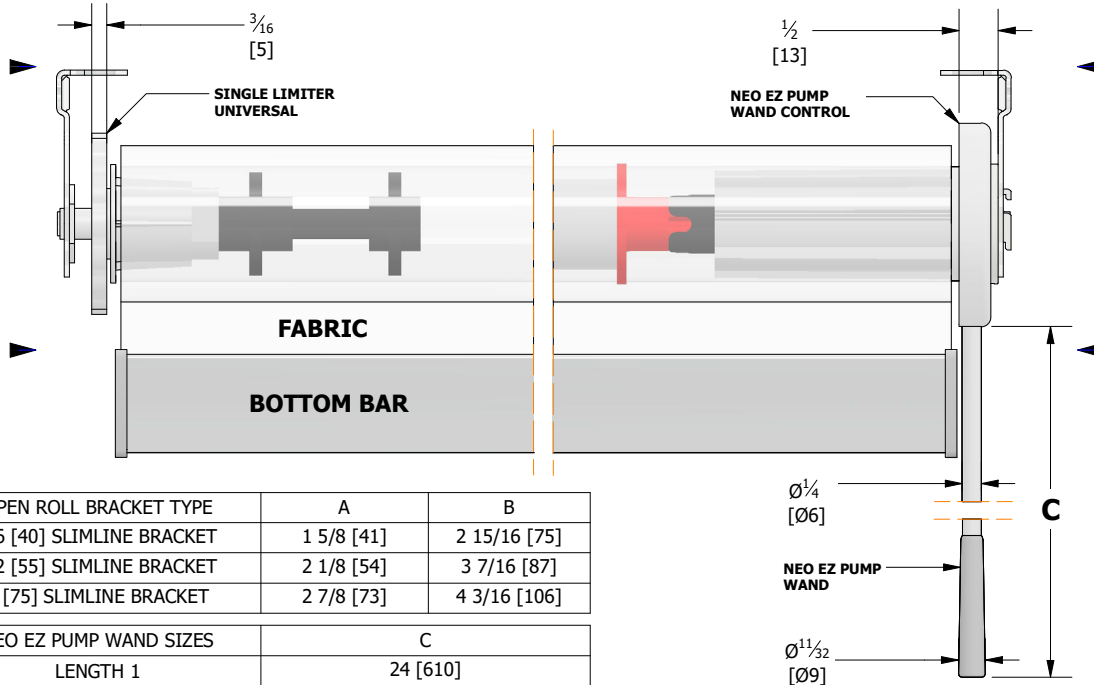
IDLE END VIEW



DRIVE END VIEW



FRONT SHADE VIEW



OPEN ROLL BRACKET TYPE	A	B
1.6 [40] SLIMLINE BRACKET	1 5/8 [41]	2 15/16 [75]
2.2 [55] SLIMLINE BRACKET	2 1/8 [54]	3 7/16 [87]
3 [75] SLIMLINE BRACKET	2 7/8 [73]	4 3/16 [106]
NEO EZ PUMP WAND SIZES	C	
LENGTH 1	24 [610]	
LENGTH 2	36 [915]	

NOTE: OPEN ROLL SYSTEM SHOWN AS AN EXAMPLE. FOR COMPATIBLE FASCIA AND CASSETTE SYSTEMS, REFER TO THE MAX ROLL UP DIAMETER IN MEASUREMENTS & SIZES.

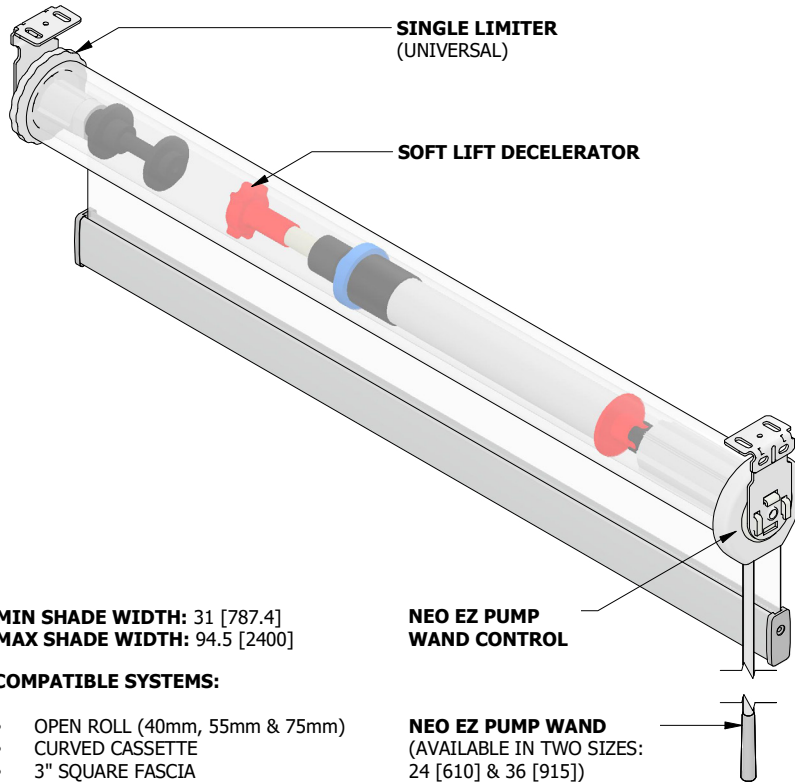


ROLLER SHADE SYSTEMS

Open Roll Chainless Systems

Neo EZ Pump: Features & Benefits

All Dimensions Are In Inches [mm]



MIN SHADE WIDTH: 31 [787.4]
MAX SHADE WIDTH: 94.5 [2400]

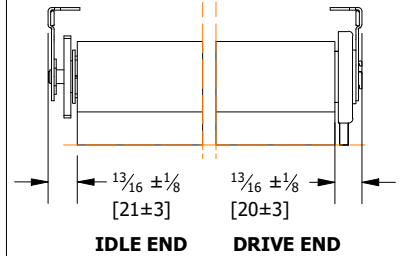
COMPATIBLE SYSTEMS:

- OPEN ROLL (40mm, 55mm & 75mm)
- CURVED CASSETTE
- 3" SQUARE FASCIA
- 4" SQUARE FASCIA

NEO EZ PUMP WAND CONTROL

NEO EZ PUMP WAND
(AVAILABLE IN TWO SIZES:
24 [610] & 36 [915])

LIGHT GAPS (APPROXIMATE)



END CAP THICKNESS: 1/8±1/16 [3±1.6]

COMPATIBLE TUBES:



1.5in [38mm]
S-TUBE

NEO EZ PUMP WAND COLOURS:



WHITE

NOTE: OPEN ROLL WITH RIGHT HAND CONFIGURATION SHOWN AS AN EXAMPLE ONLY.

FEATURES	BENEFITS
Child Safe System	The NEO EZ pump eliminates the need for free hanging loose chains/cords, while complying with latest industry child safe standards and regulations.
Universal Control	The NEO EZ pump can be either controlled by the left or right side of the shade for easy accessibility.
Dual Operation	The shade can be lowered by pumping the NEO EZ pump wand or by pulling down on the bottom bar.
Auto-rise Action	The shade can be easily retracted by a slight pull of the NEO EZ pump wand or the bottom bar.
Smooth & Quiet Operation	The soft lift decelerator slows the shade down smoothly as it approaches the upper limit.
Adjustable Upper Limit	The single limiter allows the upper limit to be fully adjustable while the shade is installed.
Easy Tension Adjustment	If required, the spring tension can be easily adjusted by a #5 hex socket wrench.



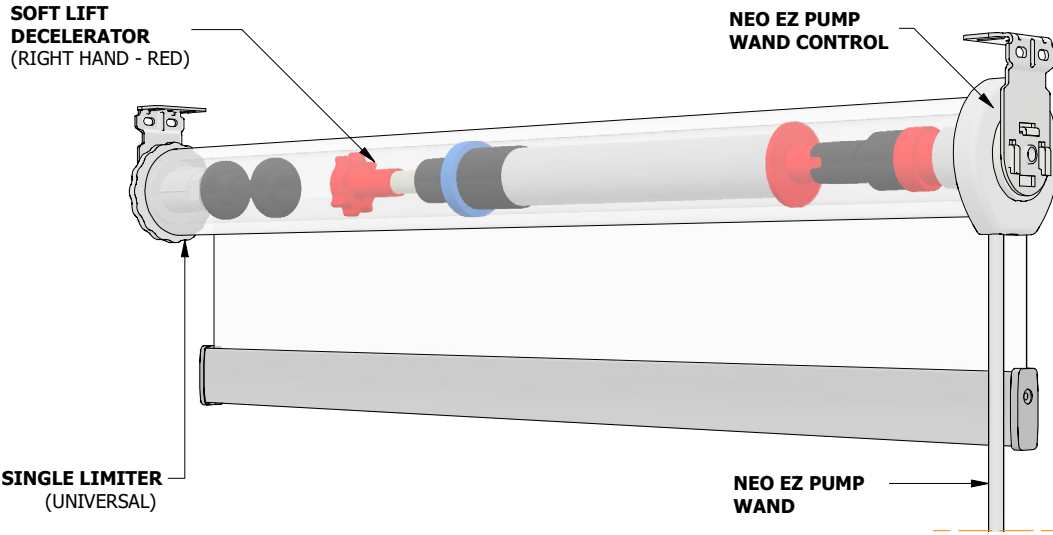
ROLLER SHADE SYSTEMS

Open Roll Chainless Systems

Neo EZ Pump: Configurations

All Dimensions Are In Inches [mm]

RIGHT HAND WAND CONTROL OPTION [1]



LEFT HAND WAND CONTROL OPTION [2]

