

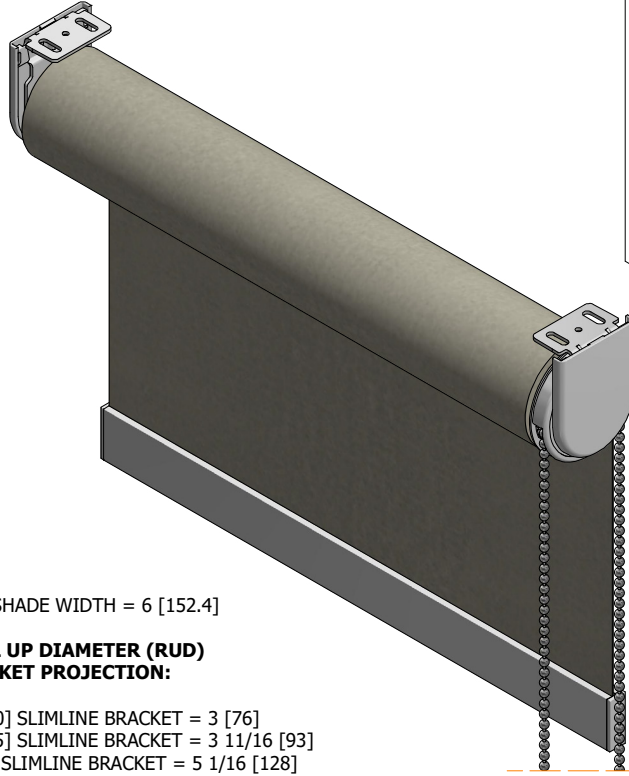


ROLLER SHADE SYSTEMS

Open Roll Chain Operated System

Features & Benefits

All Dimensions Are In Inches [mm]

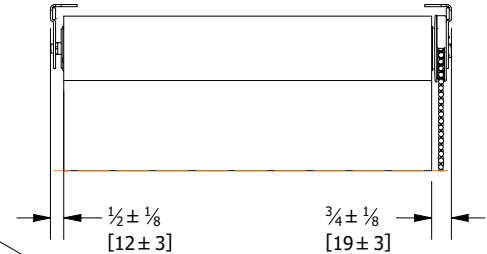


MINIMUM SHADE WIDTH = 6 [152.4]

**MAX ROLL UP DIAMETER (RUD)
PER BRACKET PROJECTION:**

- 1.6 [40] SLIMLINE BRACKET = 3 [76]
- 2.2 [55] SLIMLINE BRACKET = 3 11/16 [93]
- 3 [75] SLIMLINE BRACKET = 5 1/16 [128]

LIGHT GAPS (APPROXIMATE)



Each End Cap Is 1/8±1/16 [3±1.6]

BRACKET AND COVER COLOURS:



FEATURES	BENEFITS
Universal Brackets	Can be ceiling, wall or laterally mounted
Different Bracket Projections	1.6 [40], 2.2 [55], 3 [75] Bracket Sizes accommodates larger roll up diameters for larger shades.
Optional Bracket Covers	Provides a finished look for outside wall mounted applications (colours match mounting brackets and bottom bar end caps)
Simple and Safe Installations	Spring loaded idle end, clutch hooks and safety tab makes secure installation.
Smooth and Quiet Operation	Clutches are made from UV stabilised, glass-filled nylon and contain 4 small square profiled springs. The result is a strong clutch that operates smoothly with minimal effort.
SB Lift Assist Mechanism (SB LAM) Compatible	SB LAM reduces the pull force required to lift heavy shades when attached to the clutch
Zero Gravity Compatible	Shade is raised and lowered manually to the desired position with minimal effort. (No clutch and chain required)
Multi Banded (Single Control) Options	SB Multi Band Straight: Allows a group shades to be linked together and driven by a single clutch or motor. Each link can be adjusted to align and level the bottom bars together. SB Multi Band Angle: For bay window applications and is driven like the SB Multi Band Straight. The middle link can pivot at various angle up to 135 degrees. Reverse roll with a 2 [50] S-Tube is ideal to minimize the light gaps.
Automation Options	Allows for motorized controls with wireless remotes, switches or other smart devices



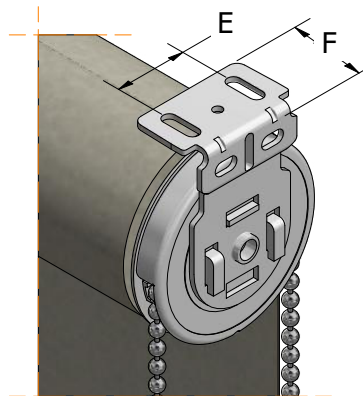
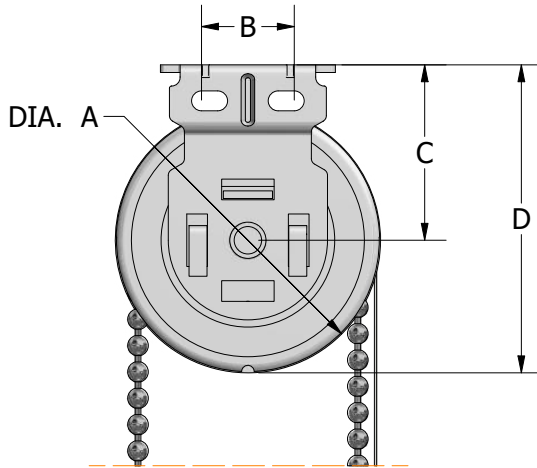
ROLLER SHADE SYSTEMS

Open Roll Chain Operated System

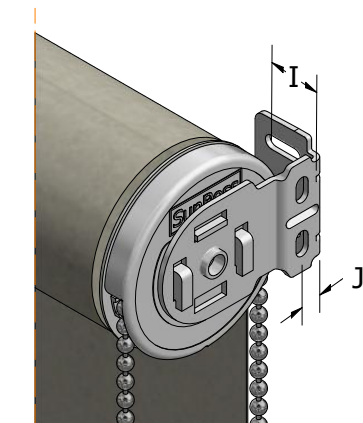
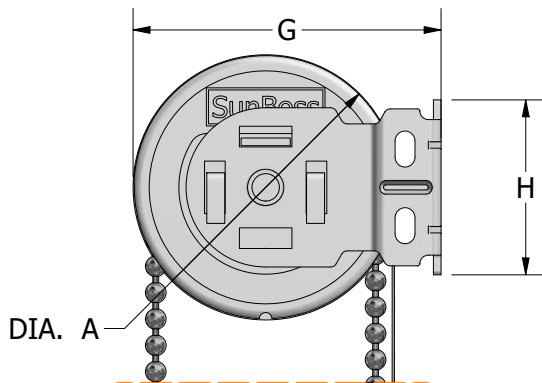
Dimensions & Measurements

All Dimensions Are In Inches [mm]

CEILING MOUNTED VIEW



WALL MOUNTED VIEW



Clutch Model	Bracket Type	A	B	C	D	E	F	G	H	I	J
SB Clutch	1.6 [40] Slimline Bracket	2 15/32 [63]	7/8 [22]	1 5/8 [41]	2 55/64 [73]	31/32 [25]	31/32 [25]	2 55/64 [73]	1 5/8 [41]	11/16 [17.5]	11/32 [8.7]
	2.2 [55] Slimline Bracket	2 15/32 [63]	7/8 [22]	2 1/8 [54]	3 23/64 [85.4]	31/32 [25]	31/32 [25]	3 23/64 [85.4]	1 5/8 [41]	11/16 [17.5]	11/32 [8.7]
	3 [75] Slimline Bracket	2 15/32 [63]	1 5/16 [33]	2 7/8 [73]	4 7/64 [104.4]	1 13/16 [46]	31/32 [25]	4 7/64 [104.4]	2 3/16 [56]	11/16 [17.5]	3/8 [9.5]

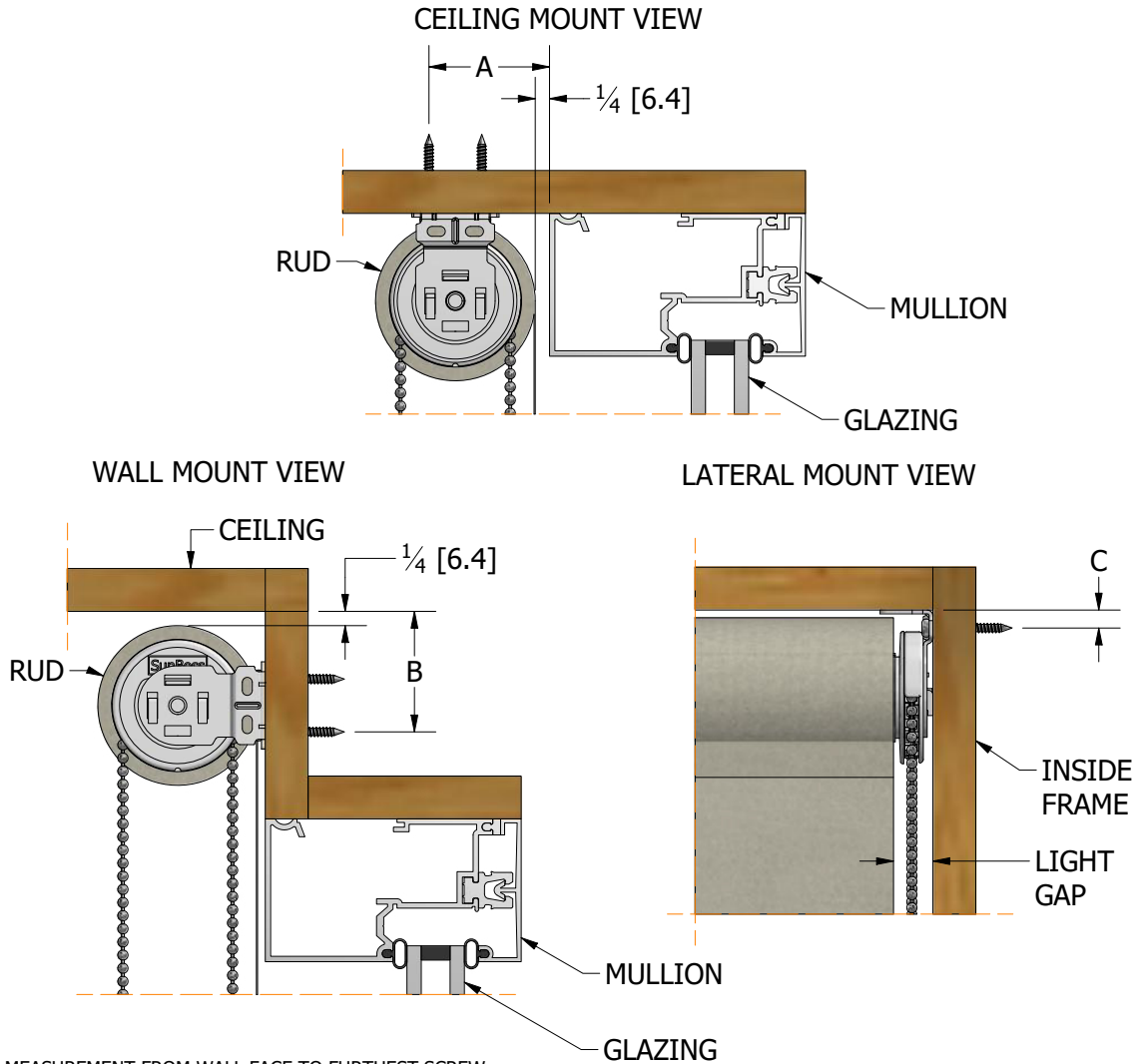


ROLLER SHADE SYSTEMS

Open Roll Chain Operated System

Mounting Details

All Dimensions Are In Inches [mm]



A = MEASUREMENT FROM WALL FACE TO FURTHEST SCREW
 B = MEASUREMENT FROM CEILING FACE TO FURTHEST SCREW
 C = MEASUREMENT FROM CEILING FACE TO FURTHEST SCREW

Max Roll Up Diameter Considered

Clutch Model	Bracket Type	A	B	C
SB Clutch	1.6 [40] Slimline Bracket	2 1/4 [57.2]	2 1/4 [57.2]	3/8 [9.5]
	2.2 [55] Slimline Bracket	2 19/32 [65.9]	2 19/32 [65.9]	3/8 [9.5]
	3 [75] Slimline Bracket	3 11/16 [93.7]	3 11/16 [93.7]	3/8 [9.5]

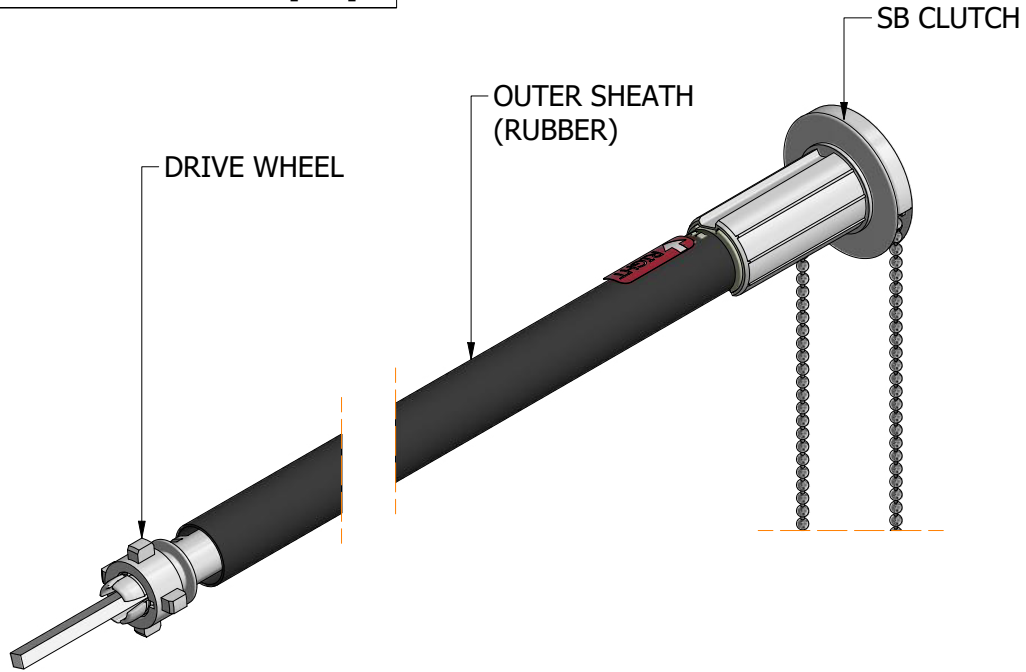


ROLLER SHADE SYSTEMS

Open Roll Chain Operated System

Lift Assist Mechanism: Features & Benefits

All Dimensions Are In Inches [mm]

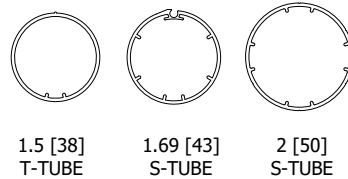


MINIMUM SHADE WIDTH = 36 [914.4]

COMPATIBLE SYSTEMS:

- OPEN ROLL
- SB CURVED CASSETTE
- SB 3 SQUARE FASCIA
- SB 4 SQUARE FASCIA
- SB DUAL OPEN ROLL
- SB DUAL CURVED CASSETTE

COMPATIBLE TUBES



FEATURES	BENEFITS
Simple and Safe Installations	Safe to work with as the specified tension is maintained, without the risk of unwinding, right through to the completed installation.
Smooth and Quiet	Foam surrounds the aluminum shaft internally to reduce noise as the spring operates. Drive Wheels run smoothly and quietly inside the tube (wheels are compatible with all roller shade tubes). Outer Sheath helps to dampen spring noise while operating inside the tube.
Enhanced Control	Reduces pull force required to operate the shade. Helps to prevent unwanted stress on the Clutch and other shade components. This increases the longevity of the entire shade system.