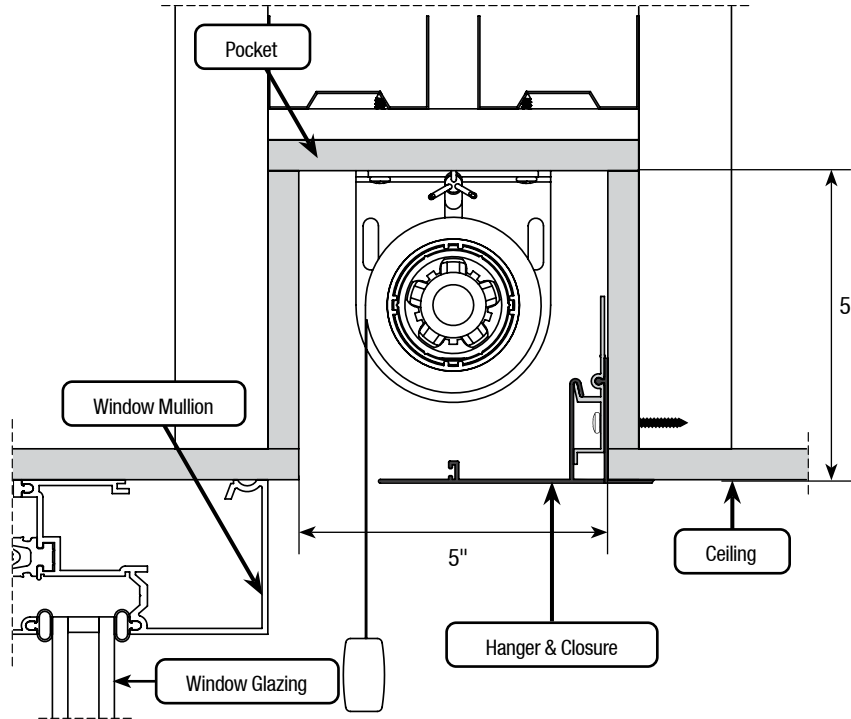




# Roller Shades

## Recessed Pocket Enclosures



**A 5"X5" POCKET IS RECOMMENDED FOR EASE OF INSTALLATION.**

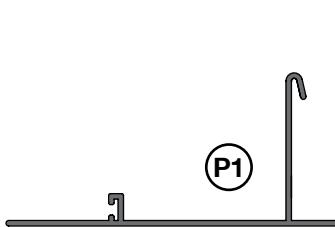
### Features & Benefits

- Commercial grade aluminum construction.
- Bottom enclosure conceals shade for a seamless integrated look.
- Can be mounted inside 4" to 5" pockets or larger.
- Compatible with manual and automated systems.
- Cover is available to conceal bottom of the drywall edge.
- Bottom enclosure is removable for easy access for shade maintenance.
- Available in white and anodized

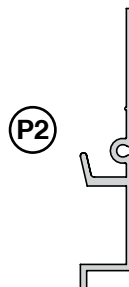
### Order Codes

HC4	Hanger and Closure with Brush for 4"–5" Pocket
HCC4	Hanger and Closure with Cover and Brush for 4"–5" Pocket
HC5	Hanger and Closure with Brush for >5" Pocket
HCC5	Hanger and Closure with Cover and Brush for >5" Pocket

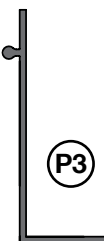
### Components



**P1 - Bottom Enclosure**



**P2 - Hanger (2" pieces)**



**P3 - Cover**

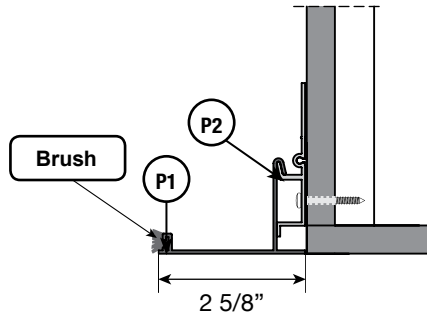


# Roller Shades

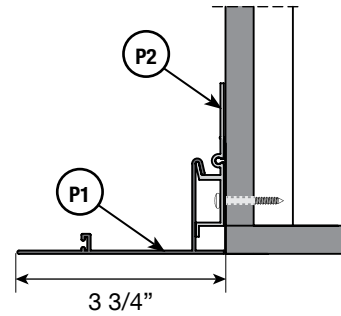
## Recessed Pocket Enclosures

### Standard - Without Cover

4" Pockets

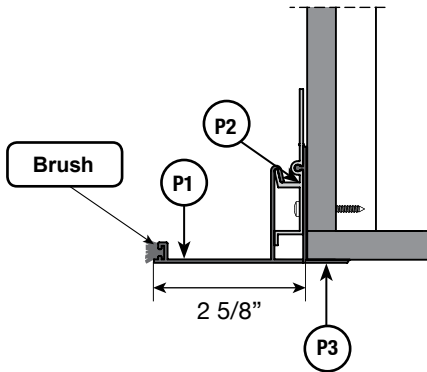


5" and Larger Pockets

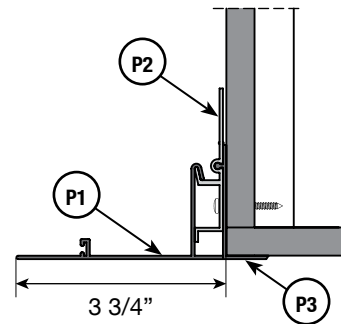


### Optional - With Cover

4" Pockets

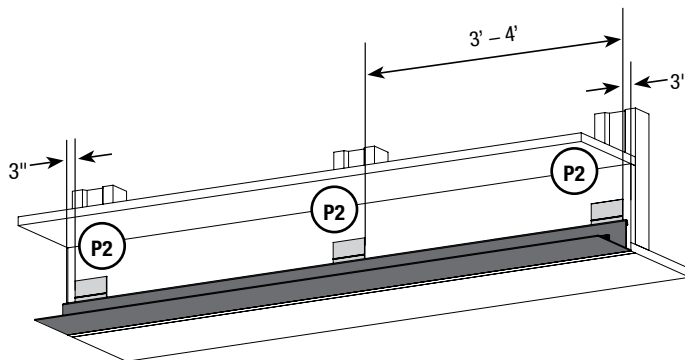


5" and Larger Pockets



When bottom enclosure is cut down a brush strip will be inserted by Sun Glow to protect the fabric from the cut edge.

### Mounting Overview



Hangers (P2) are provided as a standard. Each hanger should be placed 3" from either end of the pocket. Additional hangers should be placed every 3' - 4' evenly spaced along the pocket wall.

1.5" wood mounting screw is provided with each Hanger (P2).



Ensure the screws used are appropriate for each application.