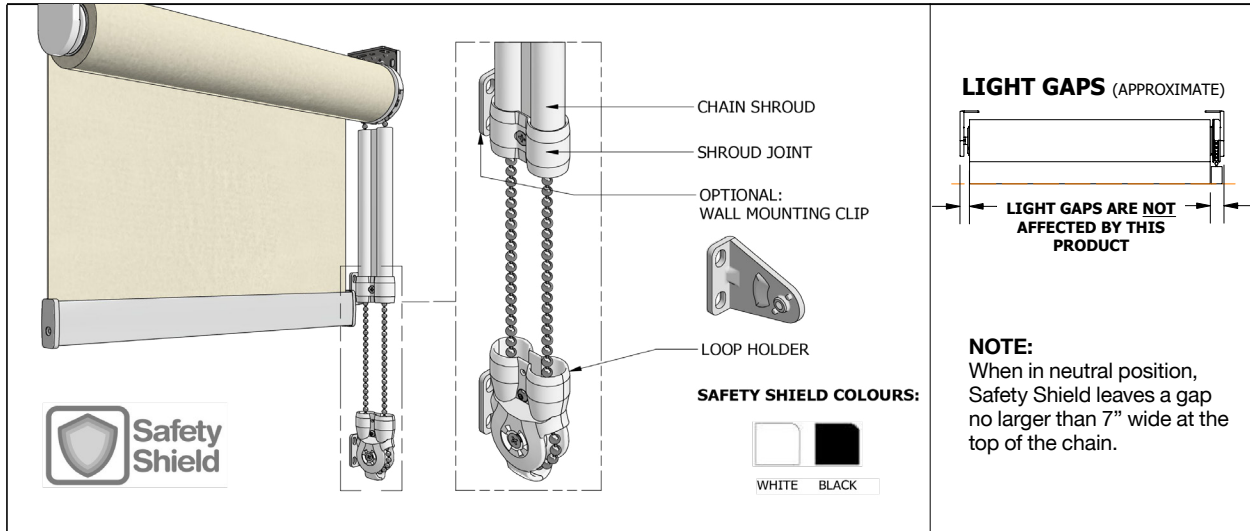




Roller Shades

Safety Shield



Features & Benefits

- The Safety Shield product has been tested and meets the “Canadian Corded Window Covering Regulation”.
- Adapts to different looped chains systems without the need to replace the clutch or drive components.
- Works with 0.35” [9mm] plastic or stainless steel stop beads. The loop holder should be lateral or wall mounted.
- Lateral mounting is ideal, as chain will have slight twist if wall mounting.
- Light gaps are unaffected by Safety Shield.
- The Safety Shield comes in a white or black finish.
- Compatible chain systems: Roller Shades, Interlude, Illusions, and Vision.
- Compatible with all loop chain sizes.

Dimensions

