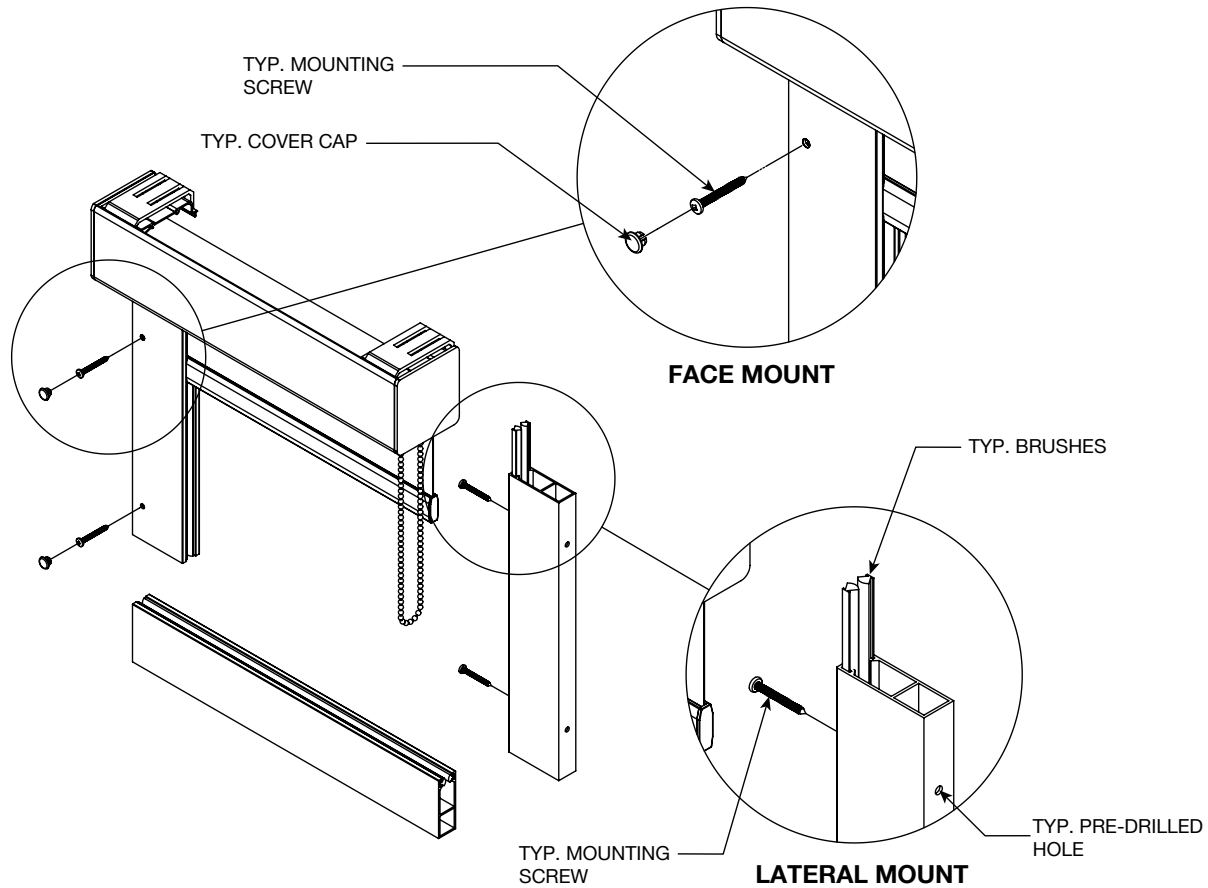




Roller Shades

Side and Bottom U Channels

U Side and Bottom Channels



Order Code:

U Side Channels: SC

U Side and Bottom Channels: SBC

Features and Benefits

- Eliminates 99% of direct light. A small amount of indirect light may still be visible.
- Aluminum 2.5" side and bottom channel with brush.
- Recommended for inside mount applications.
- We pre-drill to your specifications based on lateral or face mount.
- Available in anodized, white, and black.
- Maximum length of 16 feet.
- Bottom bar options are limited to Plain Hem.
- Recommended use with Fascia and Vision.