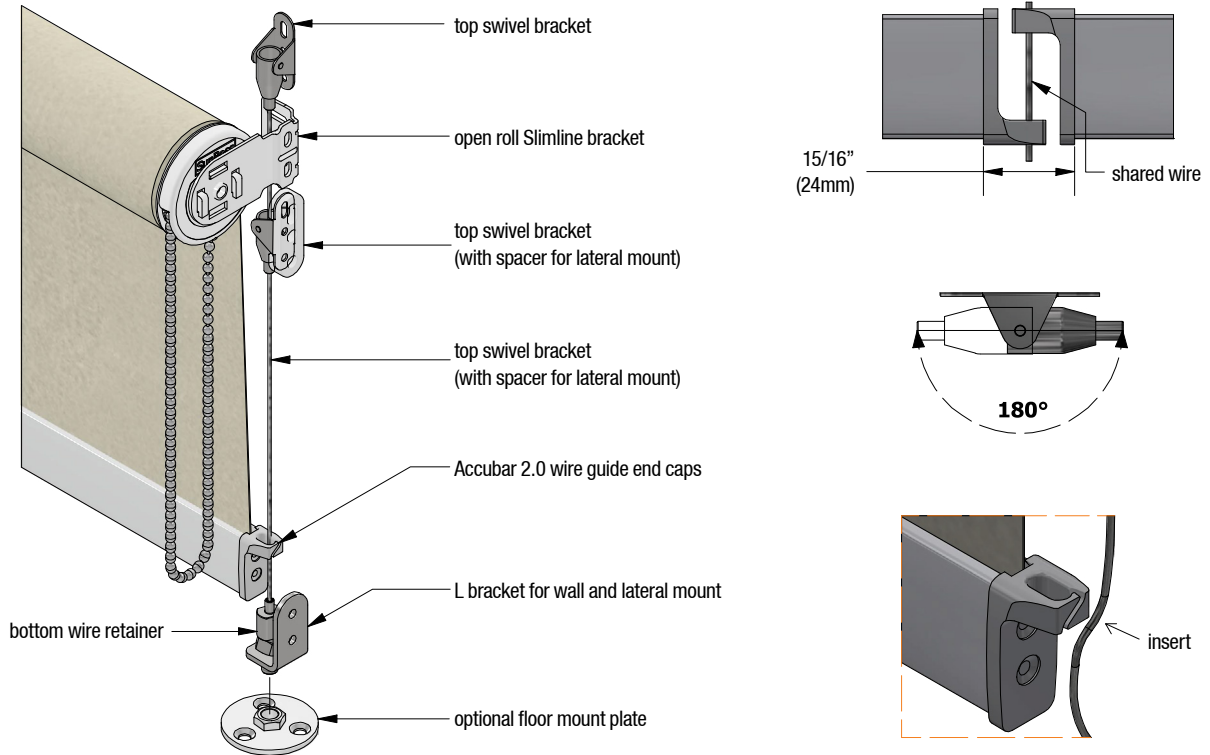




# Roller Shades

## Wire Guide



### Features & Benefits

- Wire Guides are normally installed into the areas with long drop blinds or areas exposed to winds or draughts, such as from building A/C vents. The base rail is fitted with special end caps that encapsulate a fixed vertical wire that restrains the base rail from lateral movement.
- Can be ceiling, wall or laterally mounted.
- Can be adapted to existing roller shades systems without having to cut down tube or fabric. Bottom bar must be Accubar 2.0.
- Wire can only enter and exit the bottom bar cap when the wire has slack, once taut it will not separate.
- Works with a wide variety of Sun Glow systems. Wire Guides can be used in conjunction with Chain, Lift Assist Mechanisms, Zero Gravity and Motors.
- Specialized bottom bar end caps allows the bottom bar to be easily fastened to the wire.
- A single center wire can be shared by two shades by inverting the bottom bar end cap on one of the shades.
- Does not interfere with shade mounting and does not affect light gaps

### Compatible with:

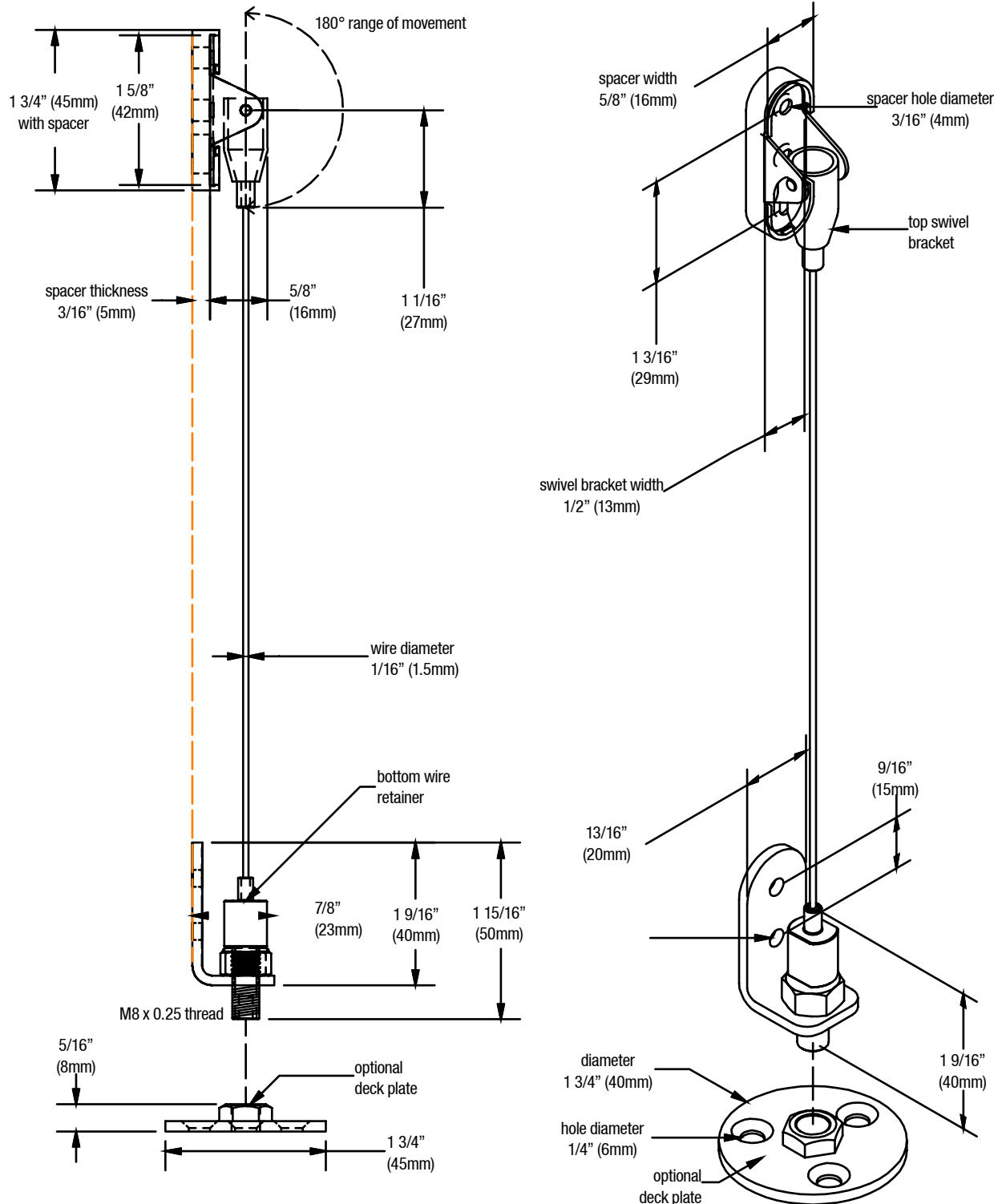
- Open roll 40mm, 55m, 75mm
- Compact Curved Cassette
- Curved Cassette
- 3" Square Fascia
- 4" Square Fascia
- Dual Open Roll
- Dual Square Fascia



# Roller Shades

## Wire Guide

### Measurements and Dimensions

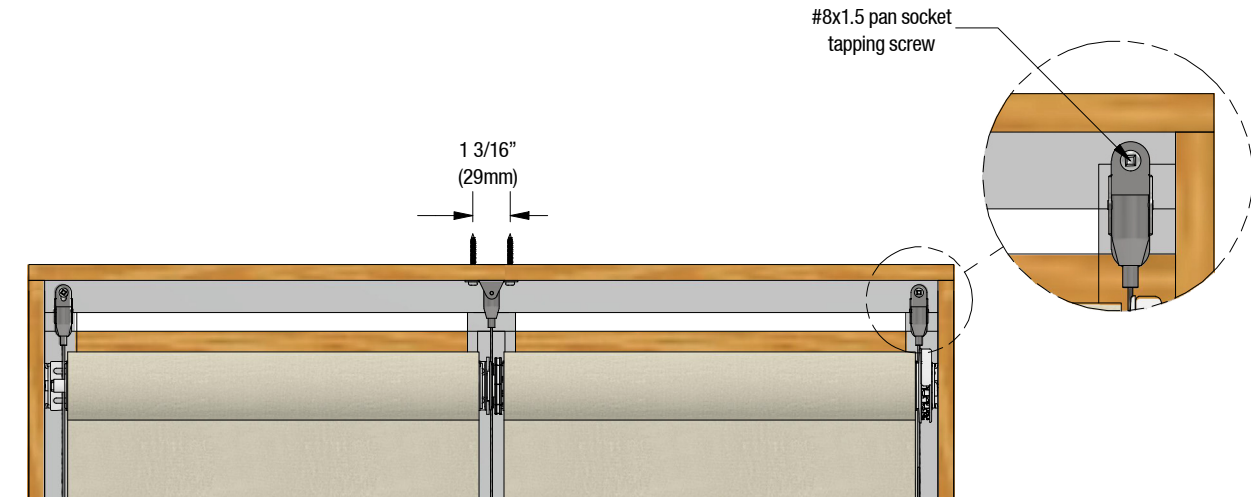




# Roller Shades

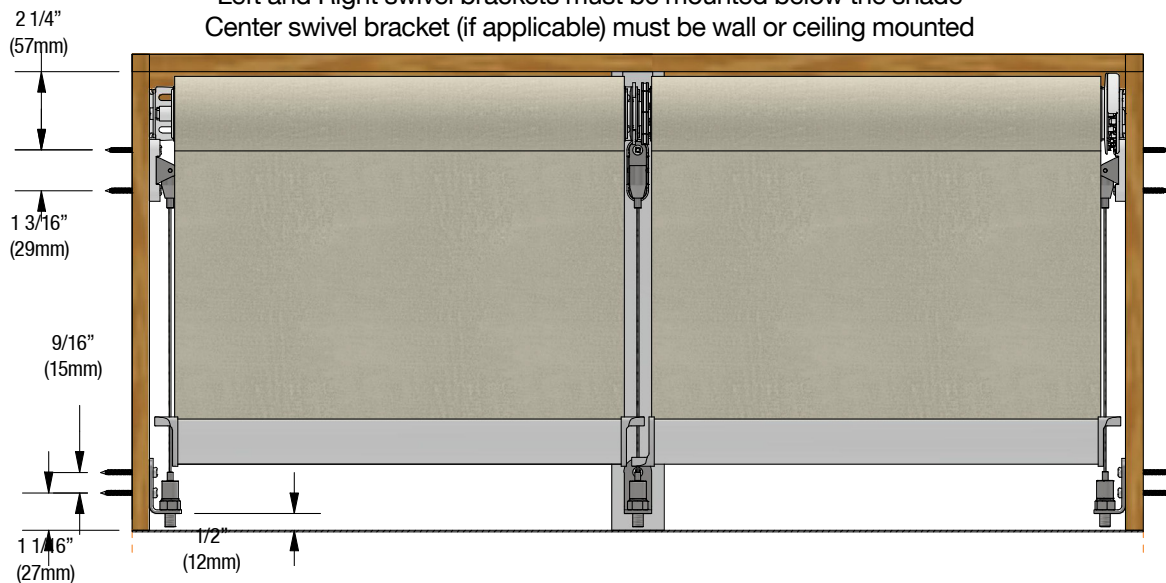
## Wire Guide

### Inside wall mount above brackets



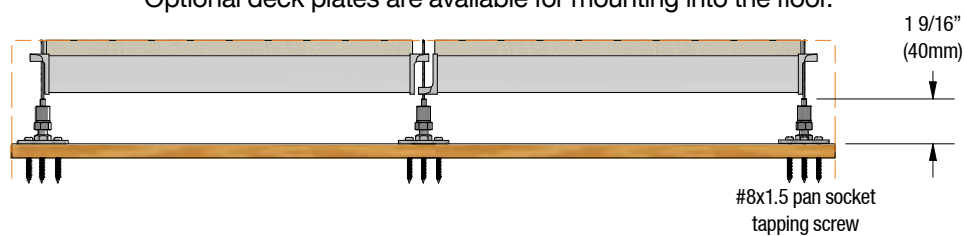
### Lateral Mounting

Left and Right swivel brackets must be mounted below the shade  
Center swivel bracket (if applicable) must be wall or ceiling mounted



### Floor Mounting

Optional deck plates are available for mounting into the floor.

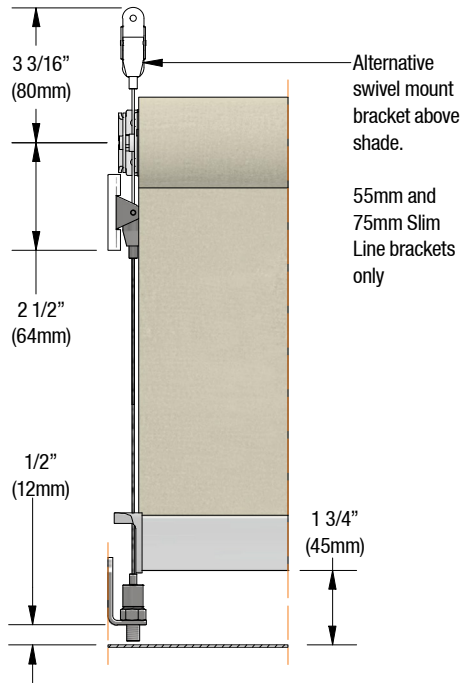




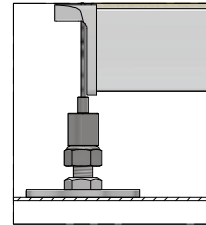
# Roller Shades

## Wire Guide

### Configurations



Optional Deck Plate for floor mounting



### Multibanding with shared centre wire

