



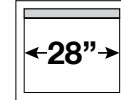
Roller Shades

Operating System: Zero Gravity

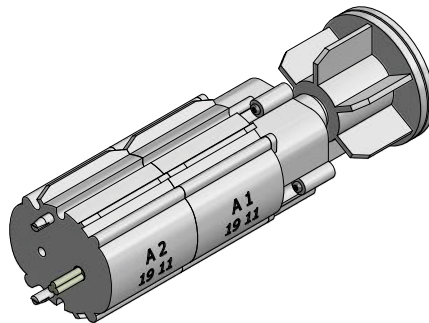
Zero Gravity



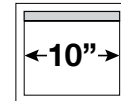
MIN. WIDTH



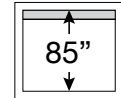
Zero Gravity Mini



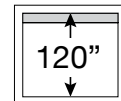
MIN. WIDTH



MAX. LENGTH INTERLUDE



MAX. LENGTH ROLLER SHADES



Features & Benefits

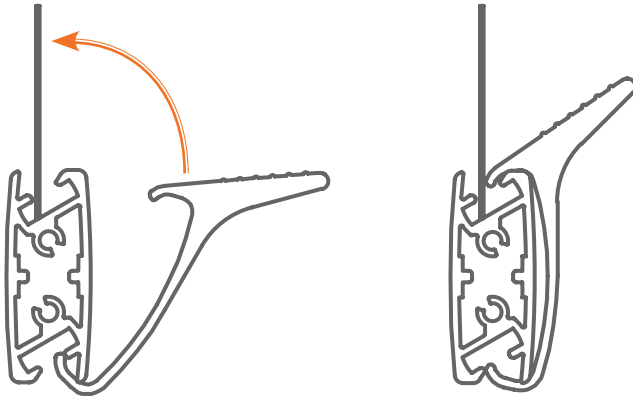
- Recommended where a chainless system is desired and the blind height is within reach.
- Compatible with all Roller Shade valance options.
- Operate the shade by simply raising or lowering from the bottom bar to any desired position.
- For the Zero Gravity – Regular foam surrounds the aluminum shaft internally to reduce noise as the spring operates Drive Wheels run smoothly and quietly inside the tube.
- For the Zero Gravity - Outer Sheath helps to dampen spring noise while operating inside the tube.



Roller Shades

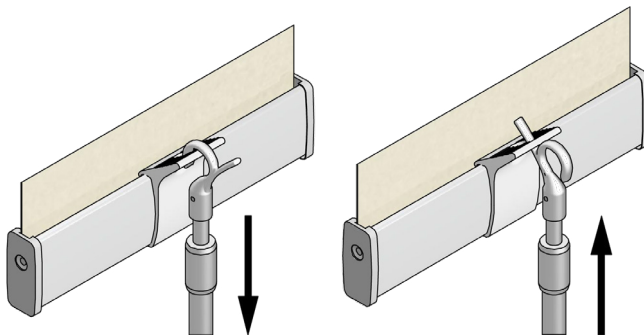
Operating System: Zero Gravity

Zero Gravity Clip for Accubar 2.1

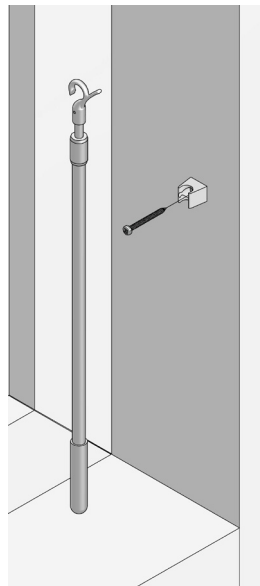


- Clips on to any Accubar 2.1 (wrapped or unwrapped)
- Provides a designated grip spot for hand operated shades, especially useful for wrapped Accubar 2.1 so that fabric doesn't pick up contact stains.

Zero Gravity Clip for Accubar 2.1 & Telescopic Draw Rod



- The telescopic draw rod provides an additional 22" of reach for raising and lowering hard to reach Zero Gravity shades.



- The draw rod comes with a wall mounting clip for easy placement and location.