



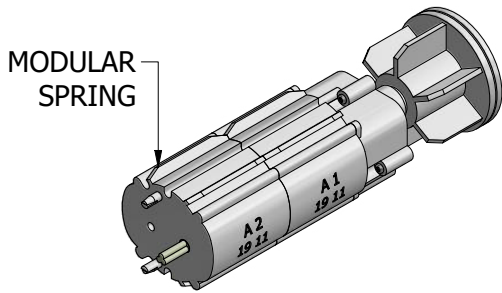
ROLLER SHADE SYSTEMS

Open Roll Chainless Systems

Zero Gravity Chainless System: Features & Benefits

All Dimensions Are In Inches [mm]

ZERO GRAVITY - MINI



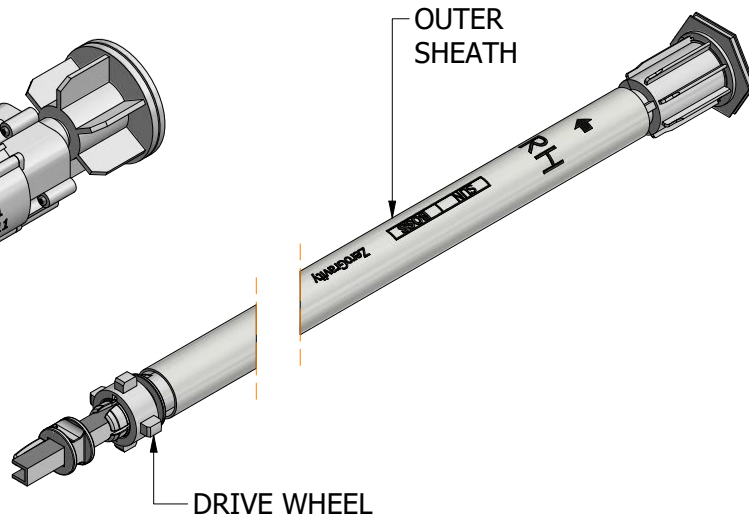
ZERO GRAVITY - MINI
MINIMUM SHADE WIDTH = 10" [254]

ZERO GRAVITY - REGULAR
MINIMUM SHADE WIDTH = 27.5" [698.5]

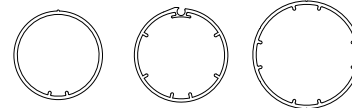
COMPATIBLE SYSTEMS:

- OPEN ROLL
- SB CURVED CASSETTE
- SB 3 SQUARE FASCIA
- SB 4 SQUARE FASCIA
- SB DUAL OPEN ROLL
- SB DUAL CURVED CASSETTE

ZERO GRAVITY - REGULAR



COMPATIBLE TUBES



1.5 [38] T-TUBE
1.69 [43] S-TUBE
2 [50] S-TUBE
MINI ONLY

FEATURES	BENEFITS
Different Spring Types	Zero Gravity - Mini Spring: Ideal for smaller and mid sized windows. Modular constant force springs inside matches the shade weight. Zero Gravity - Regular Spring: The spring tension can be adjusted to always perfectly match the weight of the roller shade, no matter what width, fabric weight or tube size. Foam surrounds the aluminum shaft internally to reduce noise as the spring operates Drive Wheels run smoothly and quietly inside the tube (drive wheels are compatible with all roller shade tubes). Outer Sheath helps to dampen spring noise while operating inside the tube.
Zero Gravity Difference	Shades can be raised and lowered by simply urging the base rail up or down by hand with almost zero effort. Can stop at any position without the use of chains or cords.
Smooth And Quiet	The zero gravity system is quiet and balanced, never heavy to lift.
Balanced Control	Helps to prevent unwanted stress on other shade components and increases the longevity of the entire shade system.