

Vision™

Modular Roller Shade System

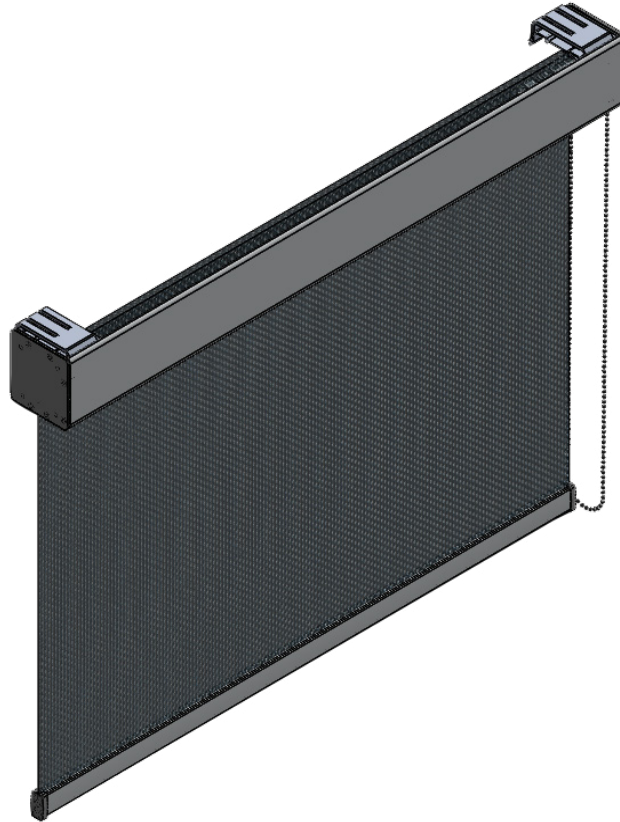




VISION™ ROLLER SHADE SYSTEMS

V-84 & V-102

Chain Operated System: Features & Benefits



vision
Roller Shade Systems

Light Gaps

Spring End	Reducer End
11/16" ±1/8"	11/16" ±1/8"

Features & Benefits

- Snap-on brackets for quick and easy installation.
- Modular design offers a wide variety of valance configurations for optimal performance and cost effectiveness.
- Minimal and symmetrical light gap offers greater solar control and a balanced appearance.
- Lift assist mechanism (Lift Assist) spring mechanism reduces the pull force required to lift the shade which reduces wear and tear on the components
- Completely assembled unit is balanced and tested during manufacturing to ensure proper performance before and after installation.
- Built in leveling system allows drive and idle end to be leveled after installation to compensate for uneven mounting conditions.
- Stripless clutch technology allows shade to also be pulled down by bottom bar.
- Vision meets the following Leed point criteria:
 - MR credit: 4.1/4.2 Recycled content.
 - MR credit: 5.1/5.2 Regional materials.
 - EQ credit: 8.1/8.2 Daylight and views.



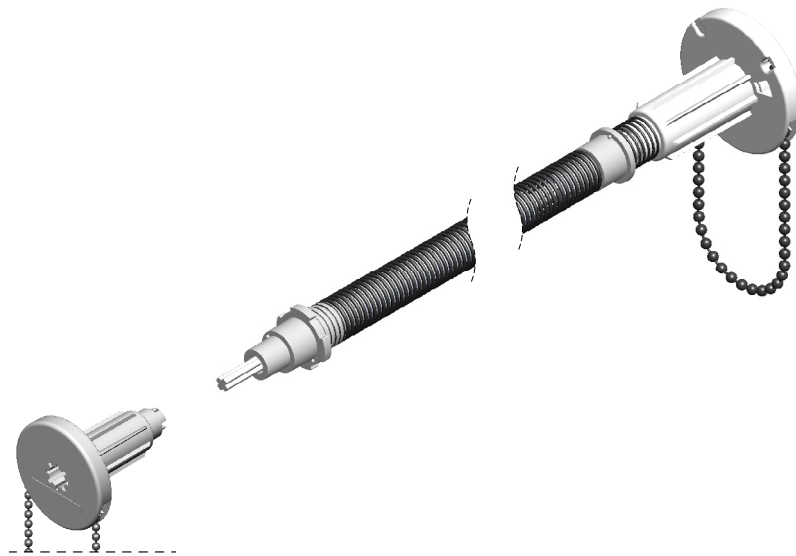
LIGHT GAP MAY INCREASE when width to height ratio is 1:2.5 or greater



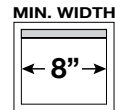
VISION™ ROLLER SHADE SYSTEMS

V-84 & V-102

Chain Operated System: Drive Mechanism



with standard clutch



with lift assist



Features & Benefits

- Standard dual clutch for manual chain operated shades (drive and idle end).
- Simultaneous chain option on both sides.
- Clutch guide wheel prevents frayed fabric edges.
- Clutch and spring combination provides a smooth and effortless operation, relieves stress on the chain and sprocket eliminating chain breakage.
- Self lubricating delrin material reduces friction and extends the life of all movable components.
- Hardened coil spring optimizes tensile strength and torque power to maintain product quality over time.
- Counter balance system allows the shade to be pulled down by the Bottom bar without damaging the clutch.

Lift Assist Mechanism Features & Benefits

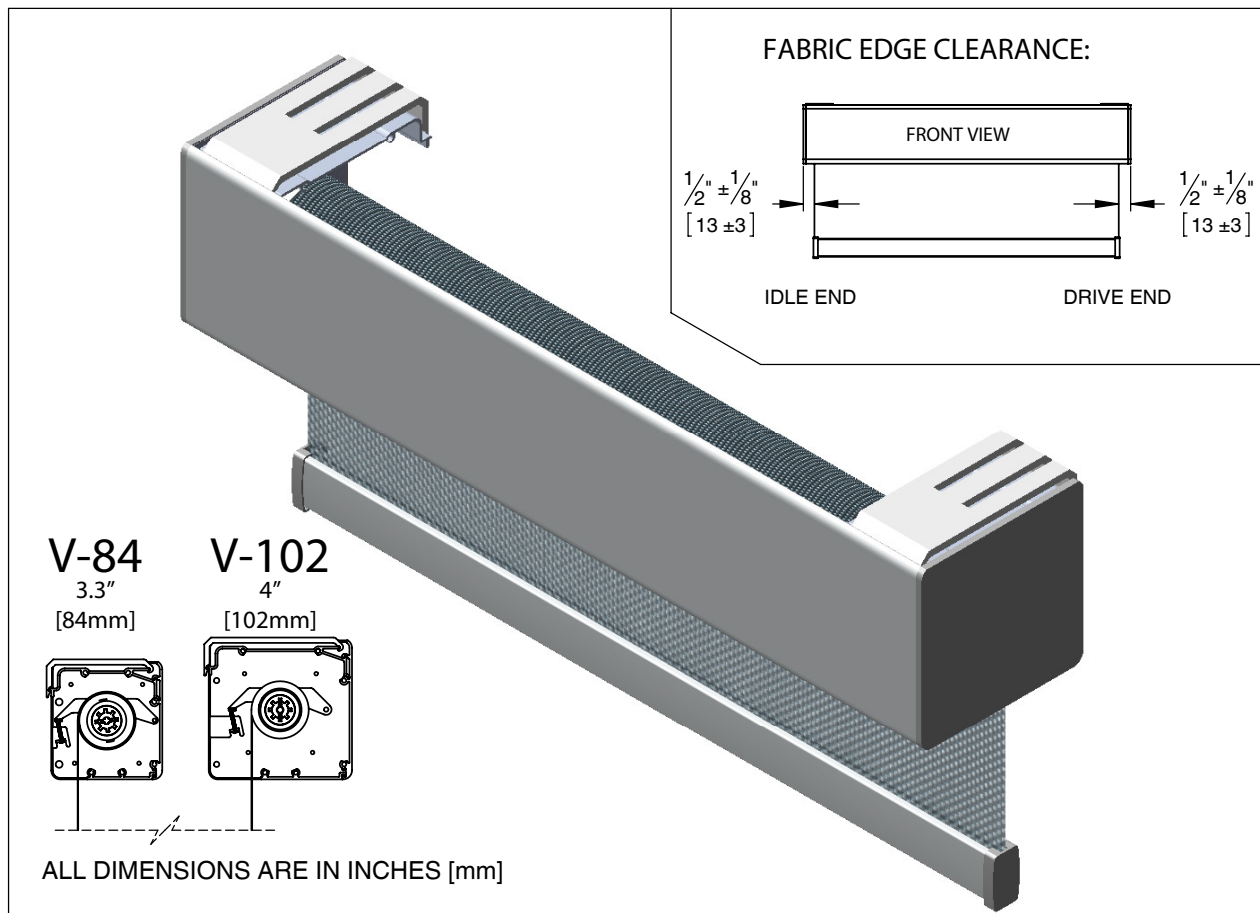
- Lift assist mechanism reduces required pull force for finger tip control even on large shades.
- Vision built in lift assist mechanisms V15 to V120 customized for each shade by SG based on the blind size, thickness & weight of fabric to ensure the shade can be operated smoothly and effortlessly.



VISION™ ROLLER SHADE SYSTEMS

V-84 & V-102

Neo Chainless System: Features & Benefits



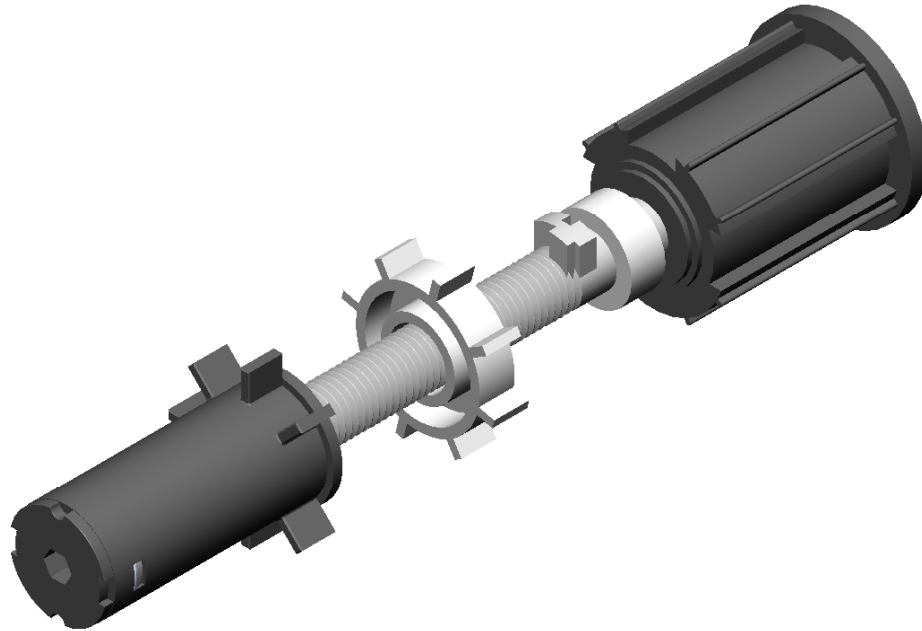
FEATURES	BENEFITS
CHAINLESS	SHADE IS OPERATED BY PULLING THE BOTTOM BAR, ELIMINATES CHAIN AND LIGATURE ISSUE
LIFT ASSIST MECHANISM (LAM) + NEO SPEED REDUCER	ALLOWS FOR SMOOTH OPERATION IN BOTH THE UP AND DOWN MOTION
SNAP-ON BRACKETS	QUICK AND EASY INSTALLATION & REMOVAL WITHOUT DISMANTLING THE SHADE
MODULAR DESIGN	WIDE VARIETY OF VALANCE CONFIGURATIONS FOR OPTIMAL PERFORMANCE & COST EFFECTIVENESS
MINIMAL & SYMMETRICAL LIGHT GAP	OFFERS GREATER SOLAR CONTROL AND A BALANCED APPEARANCE
COMPLETELY ASSEMBLED UNIT	SHADE IS BALANCED & TESTED DURING MANUFACTURING TO ENSURE PROPER PERFORMANCE BEFORE & AFTER INSTALLATION
BUILT IN LEVELLING SYSTEM	DRIVE & IDLE ENDS CAN BE LEVELED AFTER INSTALLATION TO COMPENSATE FOR UNEVEN MOUNTING CONDITIONS
VISION™ MEETS THE FOLLOWING LEED POINT CRITERIA	<ul style="list-style-type: none"> • MR CREDIT: 4.1/4.2 RECYCLED CONTENT • MR CREDIT: 5.1/5.2 REGIONAL MATERIALS • EQ CREDIT: 8.1/8.2 DAYLIGHT AND VIEWS
COLOUR OPTIONS	CASSETTE FINISHES AVAILABLE: WHITE, LINEN, ANODIZED, LIGHT BRONZE, DARK BRONZE, BLACK



VISION™ ROLLER SHADE SYSTEMS

V-84 & V-102

Neo Chainless System: Drive Mechanism



1.5" [38.1MM] NEO SPEED REDUCER - STANDARD

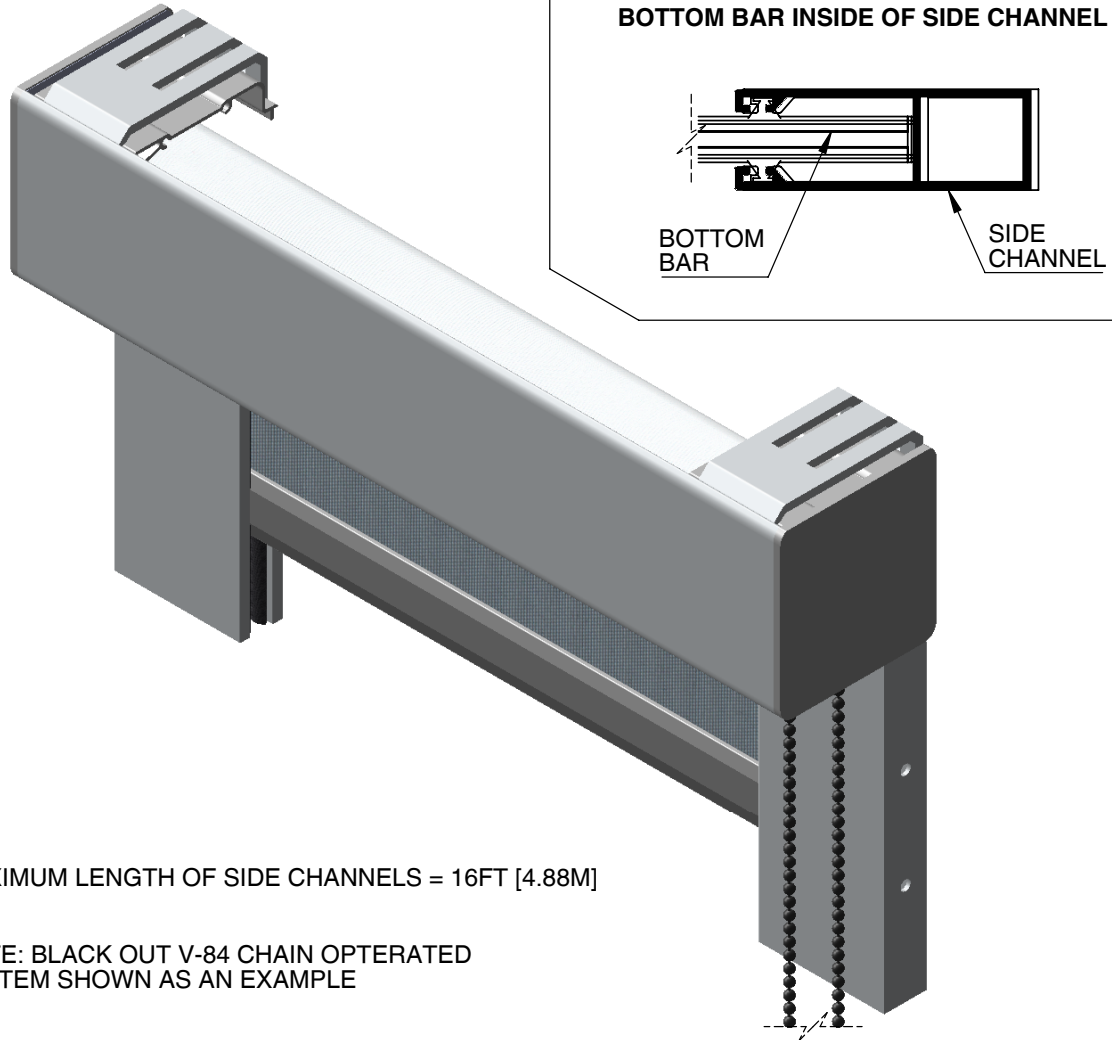
- DOES NOT REQUIRE CHAIN
- CAN EASILY BE OPERATED BY PULLING THE SHADE FROM THE CENTER OF THE BOTTOM BAR OR BLIND PULL TO THE DESIRED HEIGHT
- CAN EASILY BE RETRACTED BY A SLIGHT PULL OF THE BOTTOM BAR OR BLIND PULL
- SMART LOCK AND SNAP RELEASE ALLOW FOR EASY DISMOUNTING WHEN REQUIRED



VISION™ ROLLER SHADE SYSTEMS

V-84 & V-102

Blackout System: Features & Benefits



MAXIMUM LENGTH OF SIDE CHANNELS = 16FT [4.88M]

NOTE: BLACK OUT V-84 CHAIN OPERATED SYSTEM SHOWN AS AN EXAMPLE

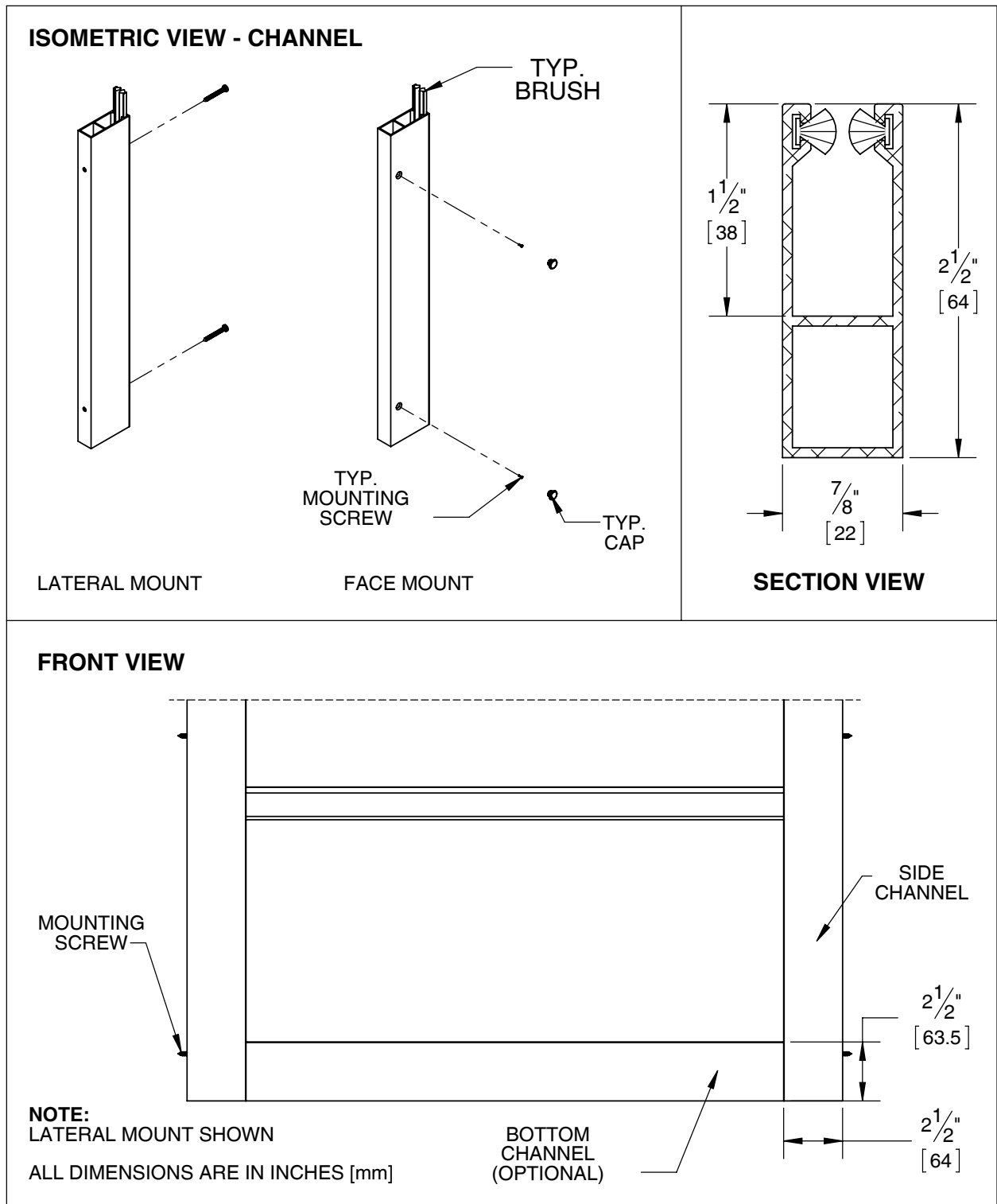
FEATURES	BENEFITS
BLACK OUT	ELIMINATES 99% OF DIRECT LIGHT. NOTE: A SMALL AMOUNT OF INDIRECT LIGHT MAY STILL BE VISIBLE
DIFFERENT BOTTOM BAR OPTIONS	SLIM BAR AND PLAIN HEM ARE REQUIRED IN ORDER TO GLIDE EFFORTLESSLY THROUGH THE CHANNELS
DIFFERENT MOUNTING OPTIONS	CHANNELS CAN BE LATERAL OR FACE MOUNTED AND ARE PRE-DRILLED TO SPECIFICATION BASED ON THE MOUNTING STYLE
BOTTOM CHANNEL(OPTIONAL)	REDUCES LIGHT PENETRATION FROM WINDOW LEDGE
SYSTEM FLEXIBILITY	SIDE CHANNELS CAN BE USED WITH CHAIN OPERATED OR MOTORIZED ROLLER SHADE SYSTEMS



VISION™ ROLLER SHADE SYSTEMS

V-84 & V-102

Blackout System: Mounting Details





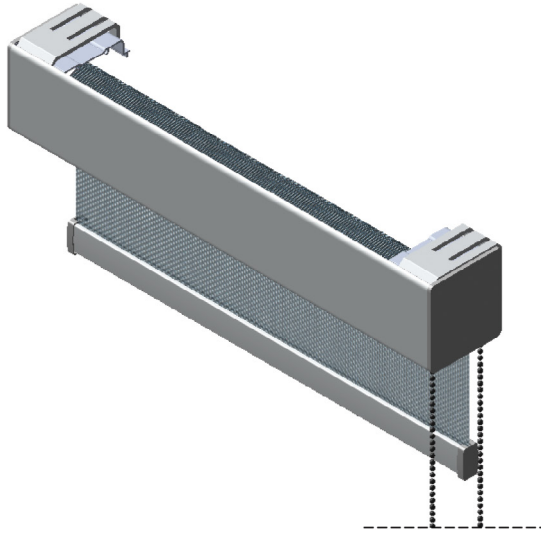
VISION™ ROLLER SHADE SYSTEMS

V-84 & V-102

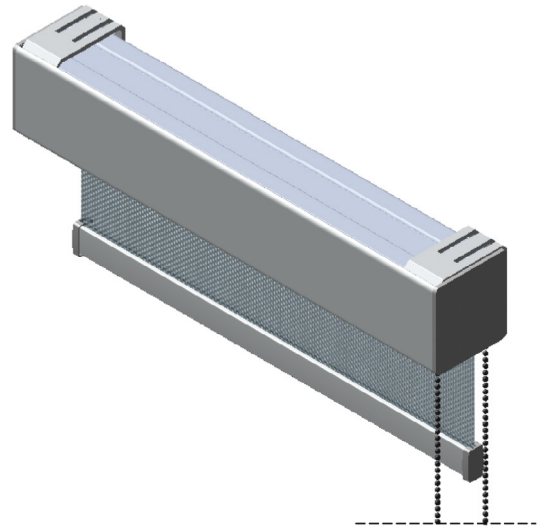
Product Information: Fascia Configurations

Vision V-84 and V-102: Clutch & bracket dimensions

Two Assembly Brackets Standard

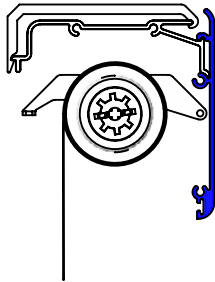


Top Cover Option

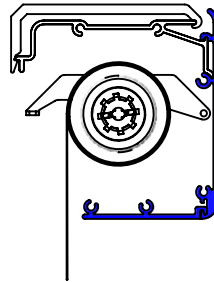


Vision V-84 and V-102 Regular Roll Configurations

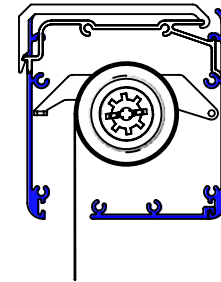
Front Fascia



Front & Return Fascia

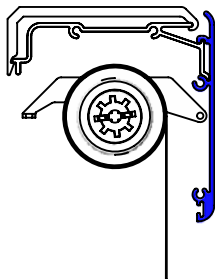


Front, Return, and Back Fascia

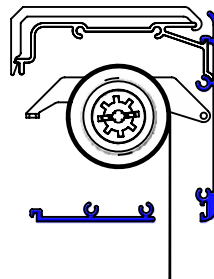


Vision V-84 and V-102 Reverse Roll Configurations

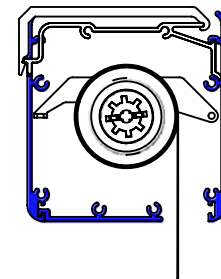
Front Fascia



Front & Return Fascia



Front, Return, and Back Fascia





VISION™ ROLLER SHADE SYSTEMS

V-84 & V-102

Product Information: Mounting Details

CEILING MOUNT																	
	<p style="text-align: center;">PROFILE VIEW V-84 MOUNTING BRACKET & CEILING MOUNT-SCREW LOCATION</p>																
WALL OR FACE MOUNT																	
	<p style="text-align: center;">PROFILE VIEW V-84 MOUNTING BRACKET & WALL MOUNT-SCREW LOCATION</p>																
LATERAL MOUNT																	
<p>NOTE: SOME COMPONENTS ARE NOT DISPLAYED IN THE MOUNTING VIEWS ABOVE. LATERAL MOUNT INCREASES LIGHT GAP BY MINIMUM 3/8" [10mm] PER SIDE. ALL DIMENSIONS ARE IN INCHES [mm]</p>	<p style="text-align: center;">PROFILE VIEW V-84 MOUNTING BRACKET & LATERAL MOUNT-SCREW LOCATION</p>																
<table border="1" style="width: 100%; border-collapse: collapse;"> <thead> <tr> <th style="width: 10%;">ITEM NO.</th> <th>COMPONENT</th> </tr> </thead> <tbody> <tr> <td>1</td> <td>V-84 MOUNTING BRACKET</td> </tr> <tr> <td>2</td> <td>1.5" MOUNTING SCREW</td> </tr> <tr> <td>3</td> <td>CEILING</td> </tr> <tr> <td>4</td> <td>MULLION</td> </tr> <tr> <td>5</td> <td>GLAZING</td> </tr> <tr> <td>6</td> <td>DRYWALL</td> </tr> <tr> <td>7</td> <td>LATERAL MOUNTING BRACKET</td> </tr> </tbody> </table>		ITEM NO.	COMPONENT	1	V-84 MOUNTING BRACKET	2	1.5" MOUNTING SCREW	3	CEILING	4	MULLION	5	GLAZING	6	DRYWALL	7	LATERAL MOUNTING BRACKET
ITEM NO.	COMPONENT																
1	V-84 MOUNTING BRACKET																
2	1.5" MOUNTING SCREW																
3	CEILING																
4	MULLION																
5	GLAZING																
6	DRYWALL																
7	LATERAL MOUNTING BRACKET																



VISION™ ROLLER SHADE SYSTEMS

V-84 & V-102

Product Information: Mounting Details

CEILING MOUNT																		
	<p>PROFILE VIEW V-102 MOUNTING BRACKET & CEILING MOUNT-SCREW LOCATION</p>																	
WALL OR FACE MOUNT																		
	<p>PROFILE VIEW V-102 MOUNTING BRACKET & WALL MOUNT-SCREW LOCATION</p>																	
LATERAL MOUNT																		
	<p>PROFILE VIEW V-102 MOUNTING BRACKET & LATERAL MOUNT-SCREW LOCATION</p>																	
<p>NOTE: SOME COMPONENTS ARE NOT DISPLAYED IN THE MOUNTING VIEWS ABOVE. LATERAL MOUNT INCREASES LIGHT GAP BY MINIMUM 3/8" [10mm] PER SIDE. ALL DIMENSIONS ARE IN INCHES [mm]</p>		<table border="1"> <thead> <tr> <th>ITEM NO.</th> <th>COMPONENT</th> </tr> </thead> <tbody> <tr> <td>1</td> <td>V-102 MOUNTING BRACKET</td> </tr> <tr> <td>2</td> <td>1.5" MOUNTING SCREW</td> </tr> <tr> <td>3</td> <td>CEILING</td> </tr> <tr> <td>4</td> <td>MULLION</td> </tr> <tr> <td>5</td> <td>GLAZING</td> </tr> <tr> <td>6</td> <td>DRYWALL</td> </tr> <tr> <td>7</td> <td>LATERAL MOUNTING BRACKET</td> </tr> </tbody> </table>	ITEM NO.	COMPONENT	1	V-102 MOUNTING BRACKET	2	1.5" MOUNTING SCREW	3	CEILING	4	MULLION	5	GLAZING	6	DRYWALL	7	LATERAL MOUNTING BRACKET
ITEM NO.	COMPONENT																	
1	V-102 MOUNTING BRACKET																	
2	1.5" MOUNTING SCREW																	
3	CEILING																	
4	MULLION																	
5	GLAZING																	
6	DRYWALL																	
7	LATERAL MOUNTING BRACKET																	



VISION™ ROLLER SHADE SYSTEMS

V-84 & V-102

Product Information: L-Channel Mounting Details

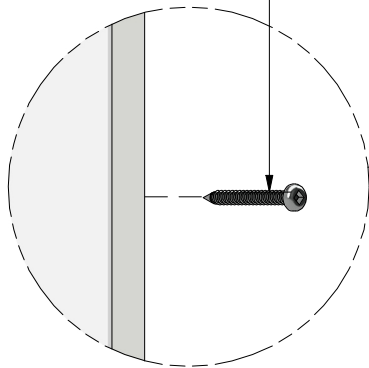
All Dimensions Are In Inches [mm]

SPACE BETWEEN L CHANNEL
AND THE VALANCE

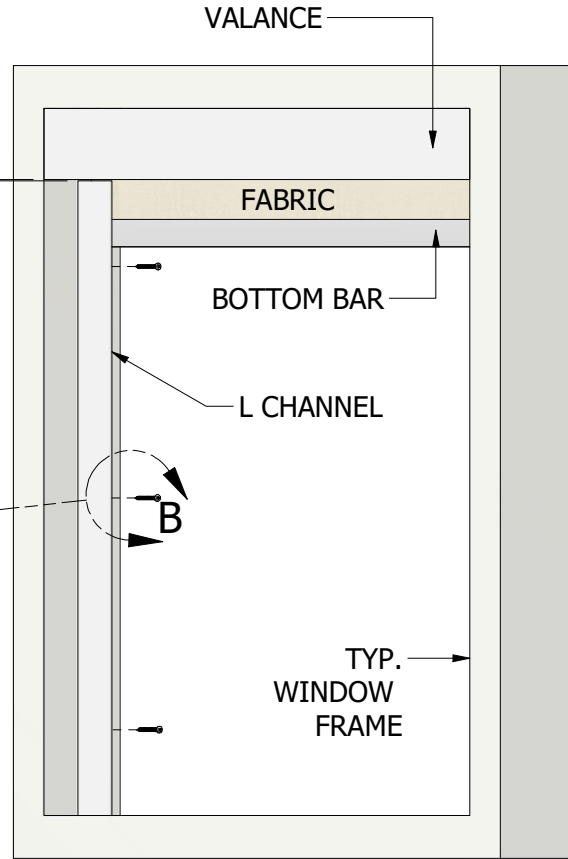
$$\frac{1}{16} \pm \frac{1}{32}$$

$$[2 \pm .8]$$

TYP.
#8x1.5
PAN SOCKET
TAPPING SCREW

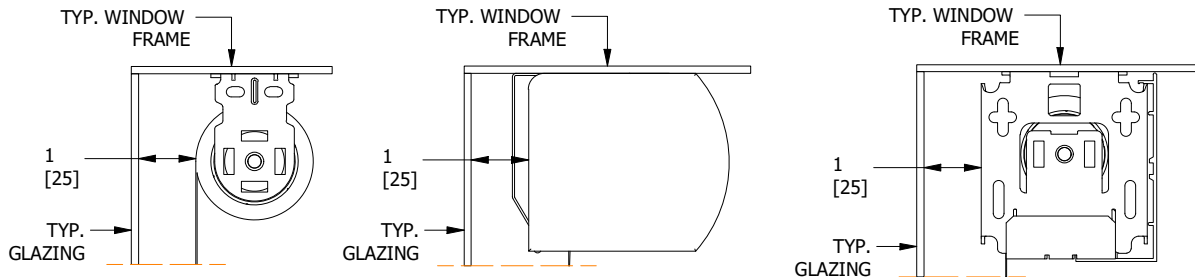


DETAIL B
SCALE 1 / 2



NOTE:

- L CHANNEL IN FRONT OF THE FABRIC SHOWN ABOVE. TO SEE L CHANNEL BEHIND THE FABRIC REFER TO ALTERNATIVE CONFIGURATIONS CUT SHEET.
- IF MOUNTING THE L CHANNEL BEHIND THE FABRIC A 1" [25.4MM] CLEARANCE IS REQUIRED BETWEEN THE SHADE SYSTEM AND GLAZING, SEE BELOW.





VISION™ ROLLER SHADE SYSTEMS

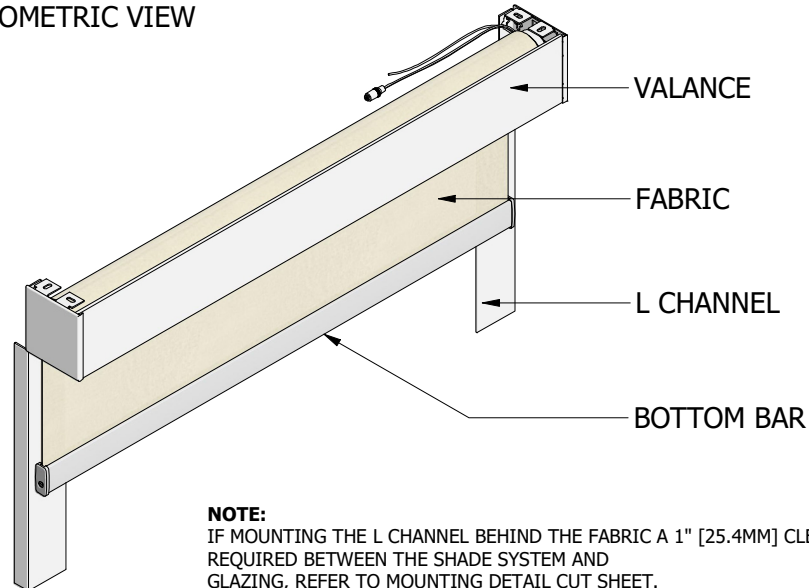
V-84 & V-102

Product Information: L-Channel Configurations

All Dimensions Are In Inches [mm]

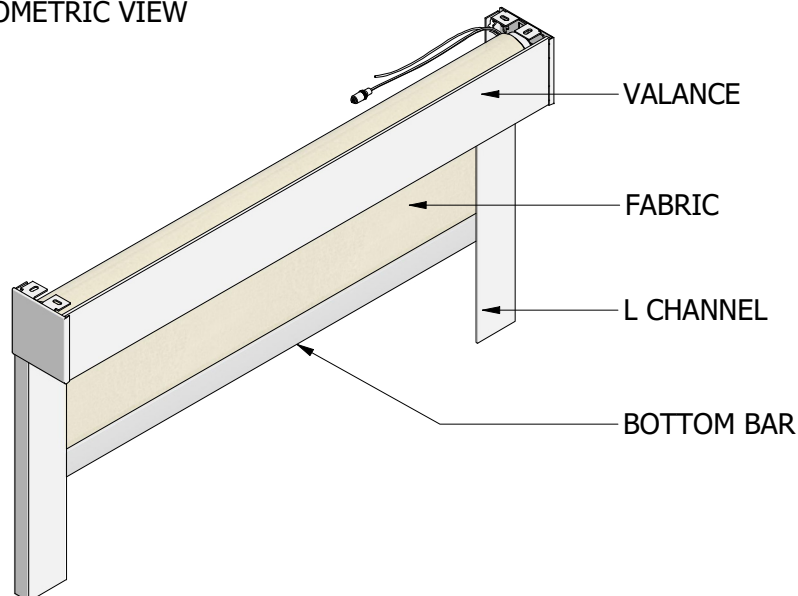
L CHANNEL BEHIND THE BOTTOM BAR AND FABRIC

ISOMETRIC VIEW



L CHANNEL IN FRONT OF THE BOTTOM BAR AND FABRIC

ISOMETRIC VIEW



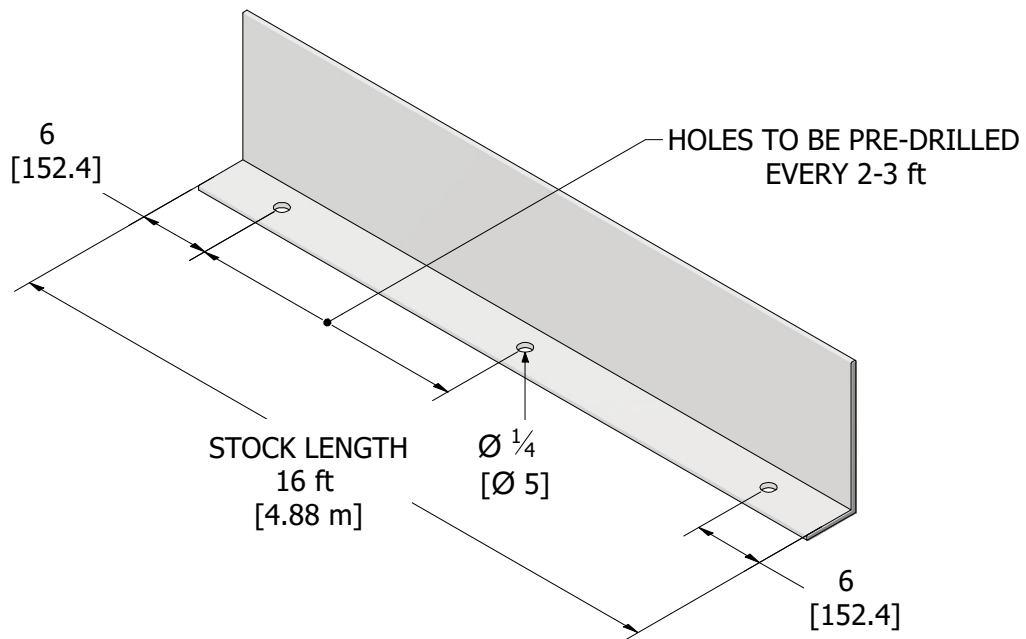
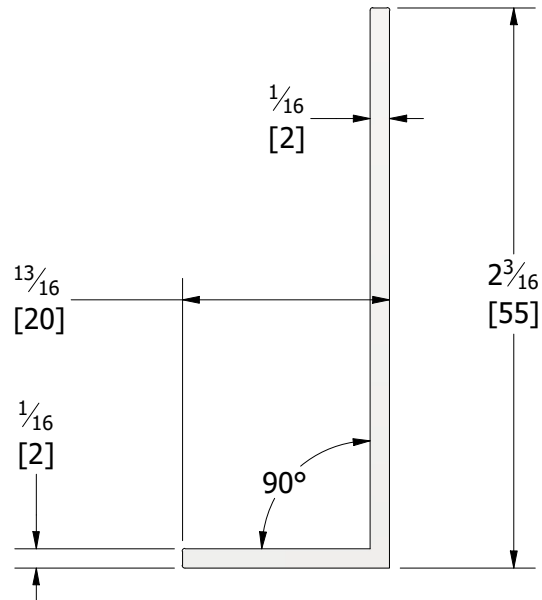


VISION™ ROLLER SHADE SYSTEMS

V-84 & V-102

Product Information: L-Channel Measurements and Sizes

All Dimensions Are In Inches [mm]



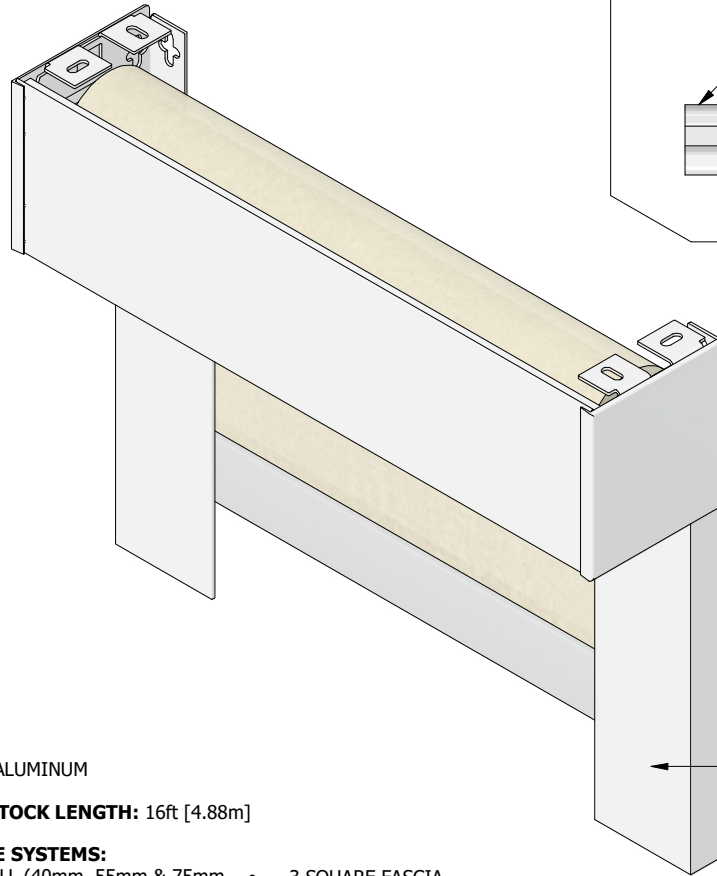


VISION™ ROLLER SHADE SYSTEMS

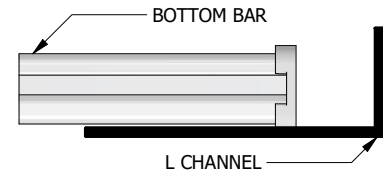
V-84 & V-102

Product Information: L-Channel Features and Benefits

All Dimensions Are In Inches [mm]



BOTTOM BAR INSIDE OF L CHANNEL



MATERIAL: ALUMINUM

MAXIMUM STOCK LENGTH: 16ft [4.88m]

COMPATIBLE SYSTEMS:

- OPEN ROLL (40mm, 55mm & 75mm SLIM LINE BRACKETS)
- COMPACT CURVED CASSETTE
- CURVED CASSETTE
- 3 SQUARE FASCIA
- 4 SQUARE FASCIA
- DUAL OPEN ROLL
- DUAL SQUARE FASCIA

NOTE: 3" SQUARE FASCIA SYSTEM SHOWN AS AN EXAMPLE.

FEATURES	BENEFITS
Glare Reduction	Minimizes the light penetration that can be seen through the Roller Shade light gaps on either side.
Bottom Bar Options	Works with a wide variety of Roller Shade bottom bars.
Different Mounting Orientations	Can be laterally mounted in the front or behind the bottom bar and fabric.
Bottom Channel (Optional)	Reduces the Light Penetration at the bottom window ledge.
System Flexibility	Can be used in conjunction with Chain Operated or Motorized Roller Shade Systems.