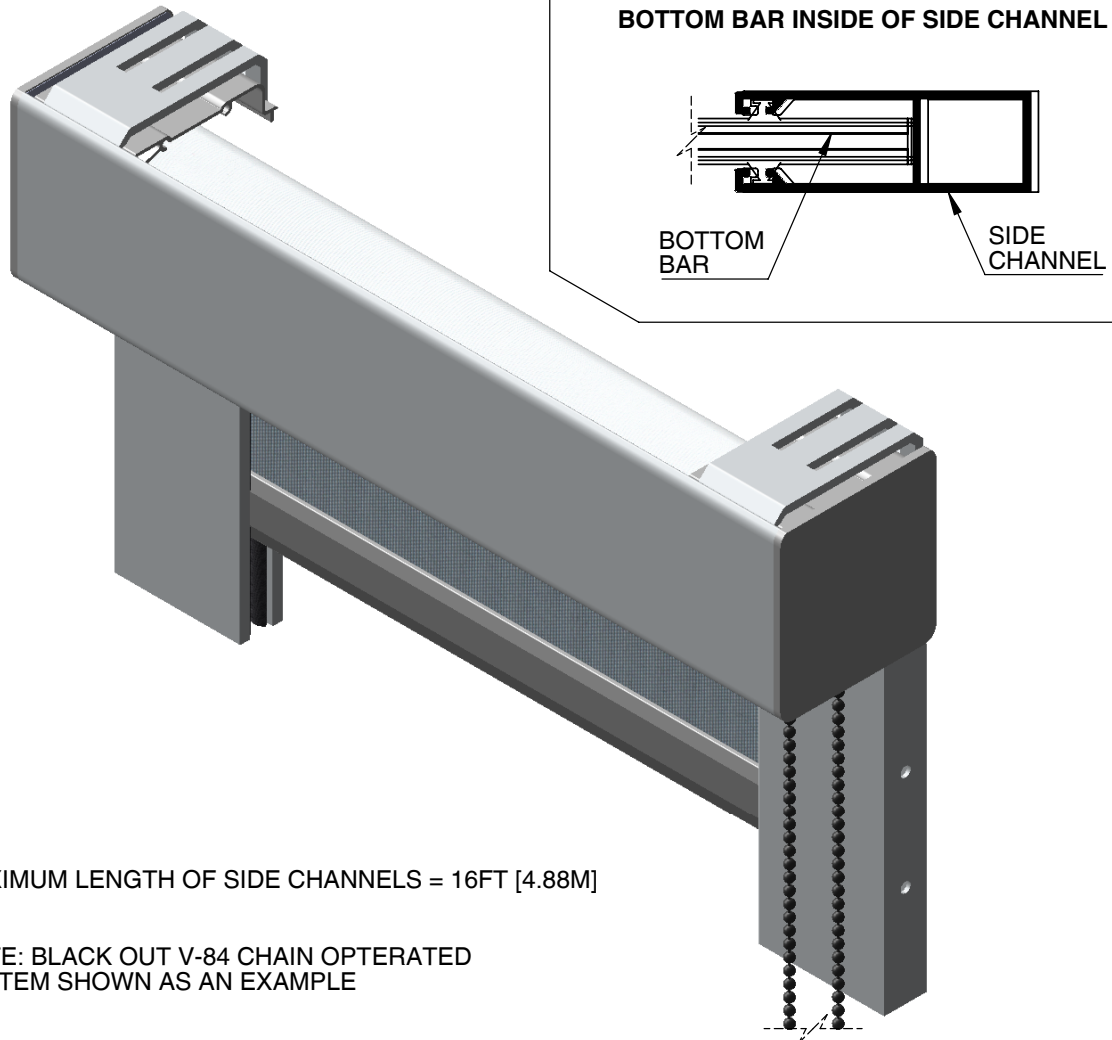




VISION™ ROLLER SHADE SYSTEMS

V-84 & V-102

Blackout System: Features & Benefits



MAXIMUM LENGTH OF SIDE CHANNELS = 16FT [4.88M]

NOTE: BLACK OUT V-84 CHAIN OPERATED SYSTEM SHOWN AS AN EXAMPLE

FEATURES	BENEFITS
BLACK OUT	ELIMINATES 99% OF DIRECT LIGHT. NOTE: A SMALL AMOUNT OF INDIRECT LIGHT MAY STILL BE VISIBLE
DIFFERENT BOTTOM BAR OPTIONS	SLIM BAR AND PLAIN HEM ARE REQUIRED IN ORDER TO GLIDE EFFORTLESSLY THROUGH THE CHANNELS
DIFFERENT MOUNTING OPTIONS	CHANNELS CAN BE LATERAL OR FACE MOUNTED AND ARE PRE-DRILLED TO SPECIFICATION BASED ON THE MOUNTING STYLE
BOTTOM CHANNEL(OPTIONAL)	REDUCES LIGHT PENETRATION FROM WINDOW LEDGE
SYSTEM FLEXIBILITY	SIDE CHANNELS CAN BE USED WITH CHAIN OPERATED OR MOTORIZED ROLLER SHADE SYSTEMS



VISION™ ROLLER SHADE SYSTEMS

V-84 & V-102

Blackout System: Mounting Details

