

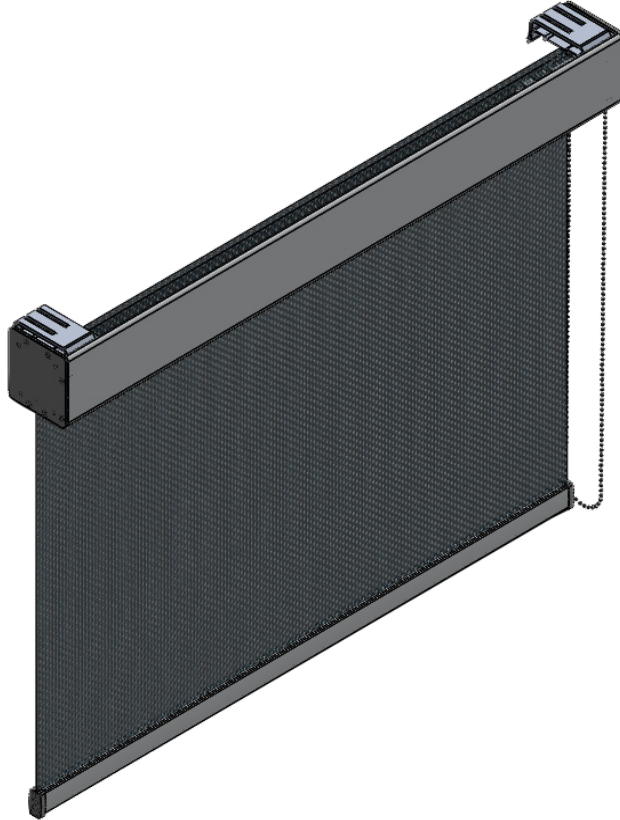


**vision**  
*Roller Shade Systems*



# Vision Roller Shade System

## Features and Benefits



**vision**  
Roller Shade Systems

Light Gaps	
Spring End	Reducer End
11/16" ±1/8"	11/16" ±1/8"

### Features & Benefits

- Snap-on brackets for quick and easy installation.
- Modular design offers a wide variety of valance configurations for optimal performance and cost effectiveness.
- Minimal and symmetrical light gap offers greater solar control and a balanced appearance.
- Lift assist mechanism (Lift Assist) spring mechanism reduces the pull force required to lift the shade which reduces wear and tear on the components
- Completely assembled unit is balanced and tested during manufacturing to ensure proper performance before and after installation.
- Built in leveling system allows drive and idle end to be leveled after installation to compensate for uneven mounting conditions.
- Stripless clutch technology allows shade to also be pulled down by bottom bar.
- Vision meets the following Leed point criteria:
  - MR credit: 4.1/4.2 Recycled content.
  - MR credit: 5.1/5.2 Regional materials.
  - EQ credit: 8.1/8.2 Daylight and views.



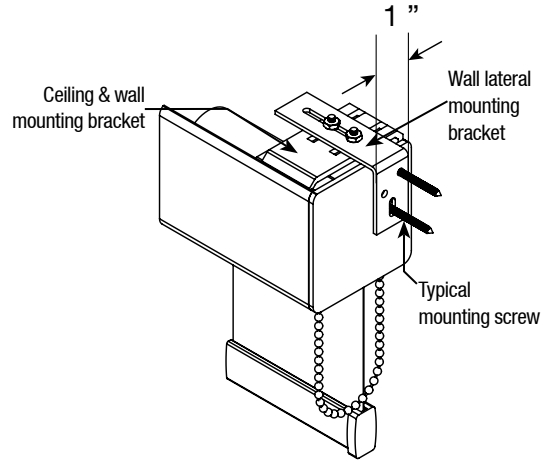
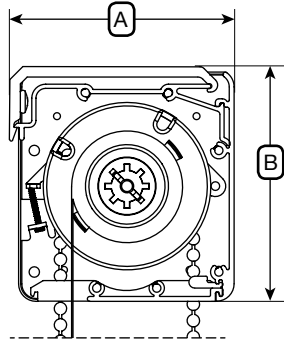
**LIGHT GAP MAY INCREASE** when width to height ratio is 1:2.5 or greater



# Vision Roller Shade System

## Vision V-84 and V-102

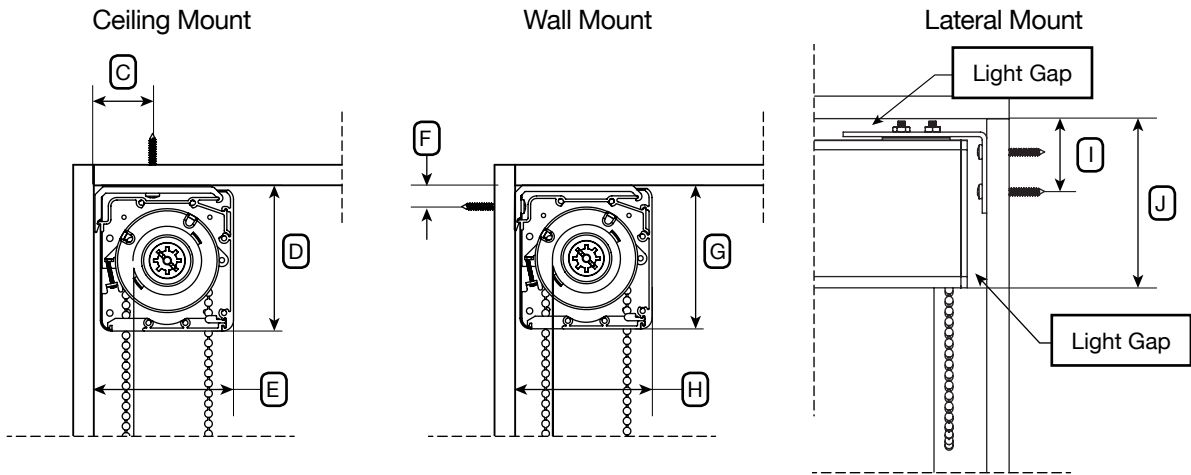
### Vision V-84 and V-102: Clutch & bracket dimensions



**Cassette Dimensions**

	A	B
V-84	3 1/4"	3 5/16"
V-102	4 1/8"	4"

### Vision V-84 and V-102: Mounting Specifications



	C	D	E	F	G	H	I	J
V-84	1 1/2"	3 5/16"	3 1/4"	1 1/2"	3 5/16"	3 1/4"	1 3/8"	3 5/8"
V-102	1 7/8"	4"	4 1/8"	1 1/2"	4"	4 1/8"	1 3/8"	4 5/16"



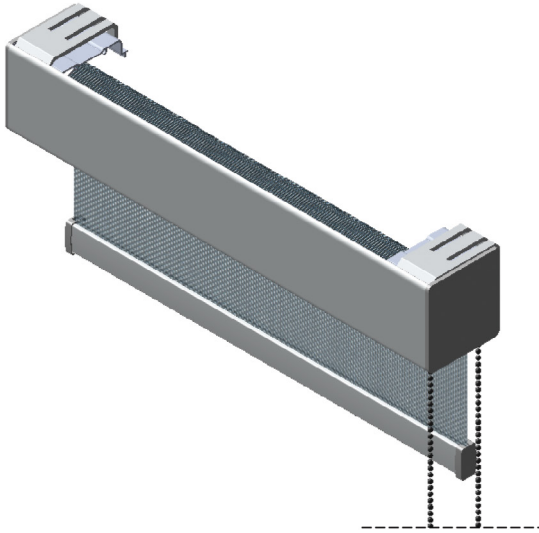


# Vision Roller Shade System

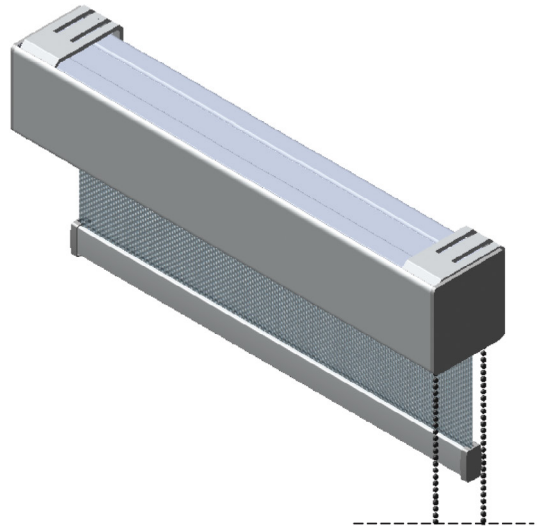
## Modular Configurations

### Vision V-84 and V-102: Clutch & bracket dimensions

Two Assembly Brackets Standard

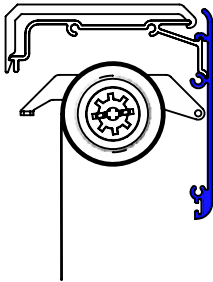


Top Cover Option

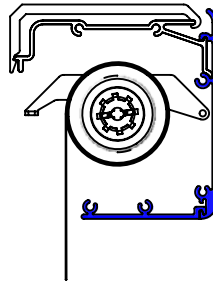


### Vision V-84 and V-102 Regular Roll Configurations

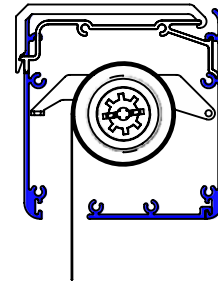
Front Fascia



Front & Return Fascia

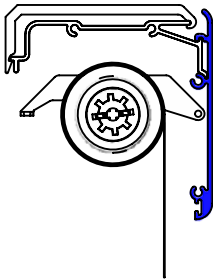


Front, Return, and Back Fascia

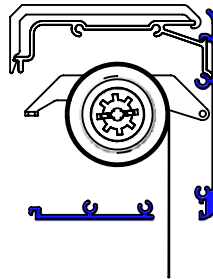


### Vision V-84 and V-102 Reverse Roll Configurations

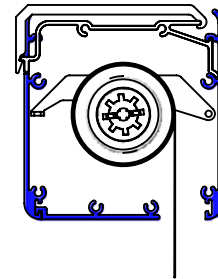
Front Fascia



Front & Return Fascia



Front, Return, and Back Fascia





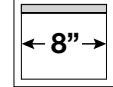
# Vision Roller Shade System

## Operating System: Vision Clutch & Spring



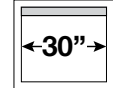
with standard clutch

MIN. WIDTH



with lift assist

MIN. WIDTH



### Features & Benefits

- Standard dual clutch for manual chain operated shades (drive and idle end).
- Simultaneous chain option on both sides.
- Clutch guide wheel prevents frayed fabric edges.
- Clutch and spring combination provides a smooth and effortless operation, relieves stress on the chain and sprocket eliminating chain breakage.
- Self lubricating delrin material reduces friction and extends the life of all movable components.
- Hardened coil spring optimizes tensile strength and torque power to maintain product quality over time.
- Counter balance system allows the shade to be pulled down by the Bottom bar without damaging the clutch.

### Lift Assist Mechanism Features & Benefits

- Lift assist mechanism reduces required pull force for finger tip control even on large shades.
- Vision built in lift assist mechanisms V15 to V120 customized for each shade by SG based on the blind size, thickness & weight of fabric to ensure the shade can be operated smoothly and effortlessly.