



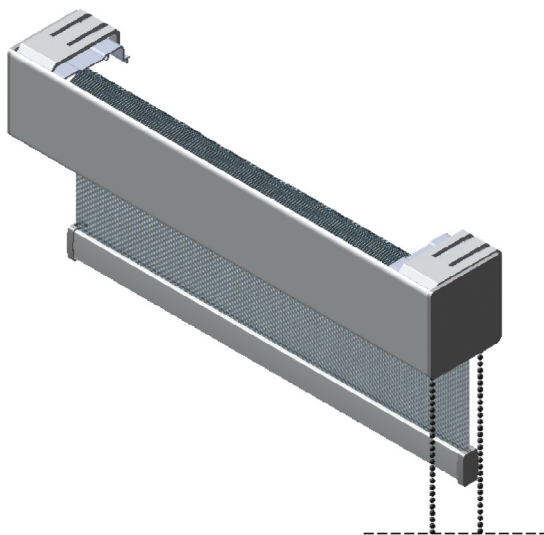
VISION™ ROLLER SHADE SYSTEMS

V-84 & V-102

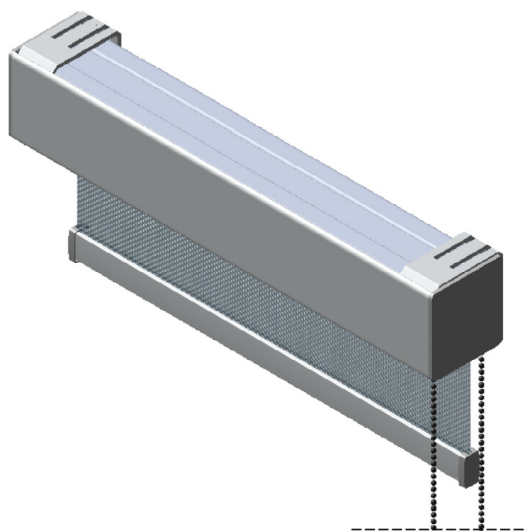
Product Information: Fascia Configurations

Vision V-84 and V-102: Clutch & bracket dimensions

Two Assembly Brackets Standard

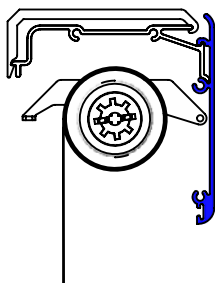


Top Cover Option

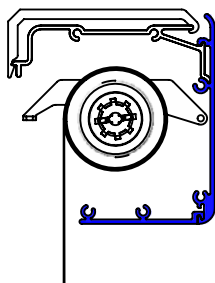


Vision V-84 and V-102 Regular Roll Configurations

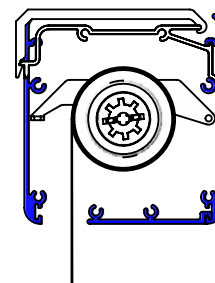
Front Fascia



Front & Return Fascia

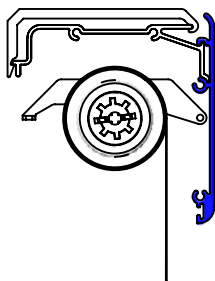


Front, Return, and Back Fascia

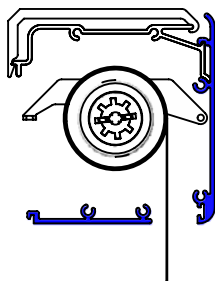


Vision V-84 and V-102 Reverse Roll Configurations

Front Fascia



Front & Return Fascia



Front, Return, and Back Fascia

