



# VISION™ ROLLER SHADE SYSTEMS

V-84 & V-102

## Product Information: L-Channel Mounting Details

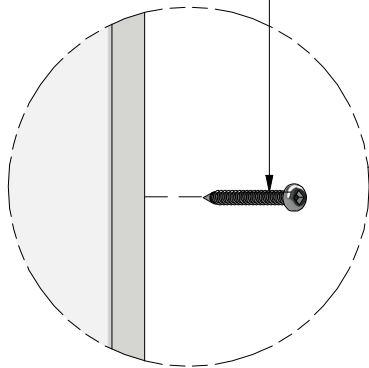
All Dimensions Are In Inches [mm]

SPACE BETWEEN L CHANNEL  
AND THE VALANCE

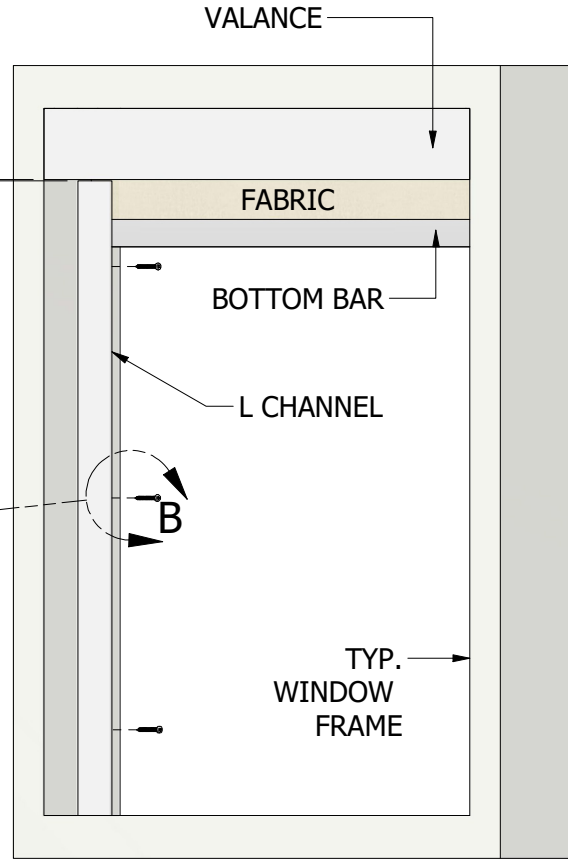
$$\frac{1}{16} \pm \frac{1}{32}$$

$$[2 \pm .8]$$

TYP.  
#8x1.5  
PAN SOCKET  
TAPPING SCREW

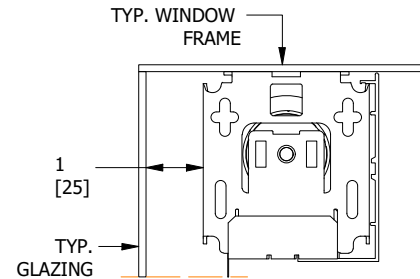
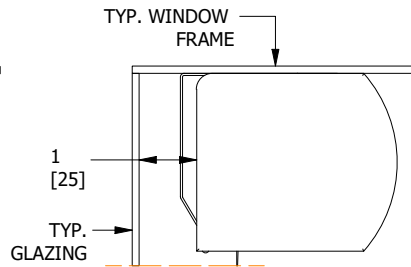
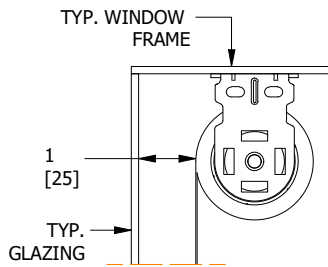


DETAIL B  
SCALE 1 / 2



**NOTE:**

- L CHANNEL IN FRONT OF THE FABRIC SHOWN ABOVE. TO SEE L CHANNEL BEHIND THE FABRIC REFER TO ALTERNATIVE CONFIGURATIONS CUT SHEET.
- IF MOUNTING THE L CHANNEL BEHIND THE FABRIC A 1" [25.4MM] CLEARANCE IS REQUIRED BETWEEN THE SHADE SYSTEM AND GLAZING, SEE BELOW.





# VISION™ ROLLER SHADE SYSTEMS

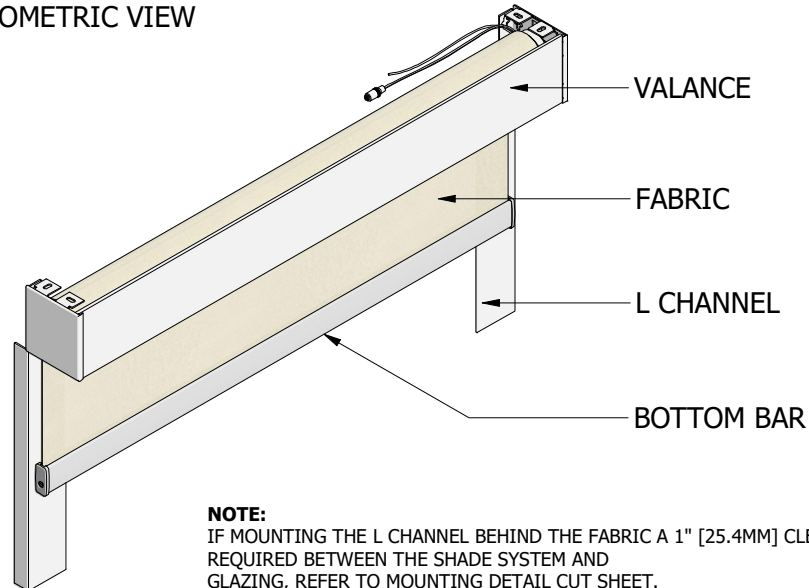
## V-84 & V-102

### Product Information: L-Channel Configurations

All Dimensions Are In Inches [mm]

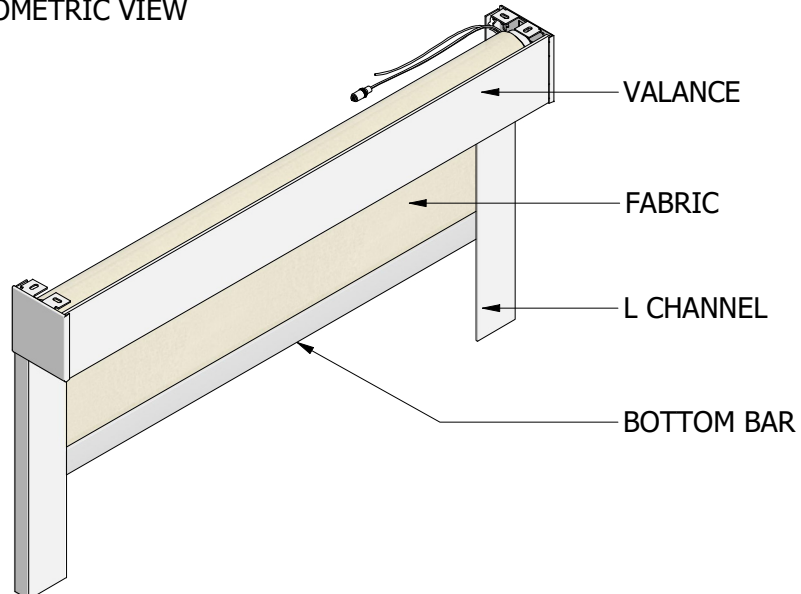
#### L CHANNEL BEHIND THE BOTTOM BAR AND FABRIC

ISOMETRIC VIEW



#### L CHANNEL IN FRONT OF THE BOTTOM BAR AND FABRIC

ISOMETRIC VIEW



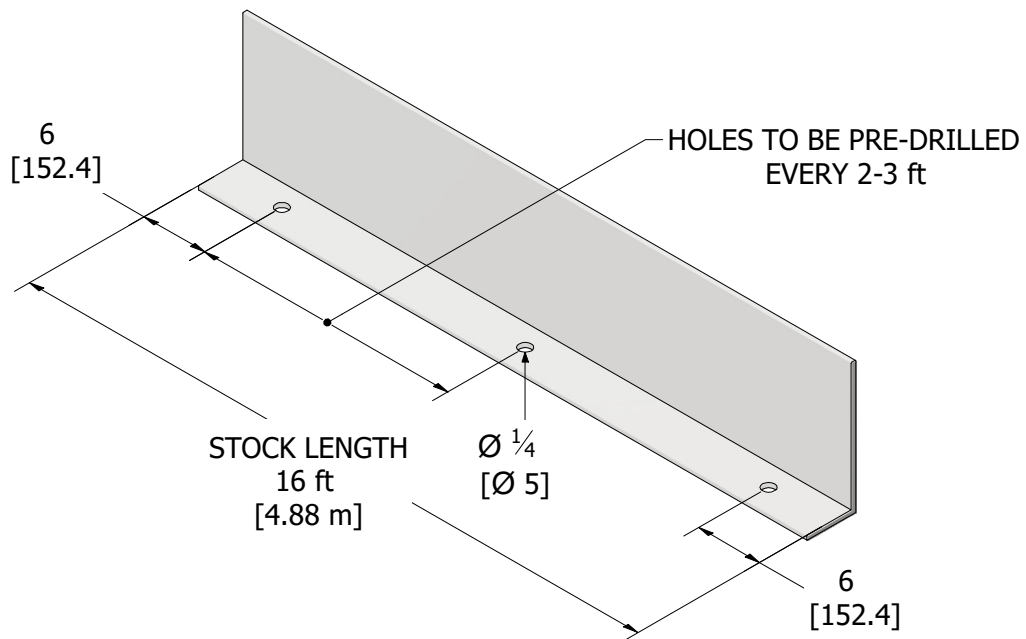
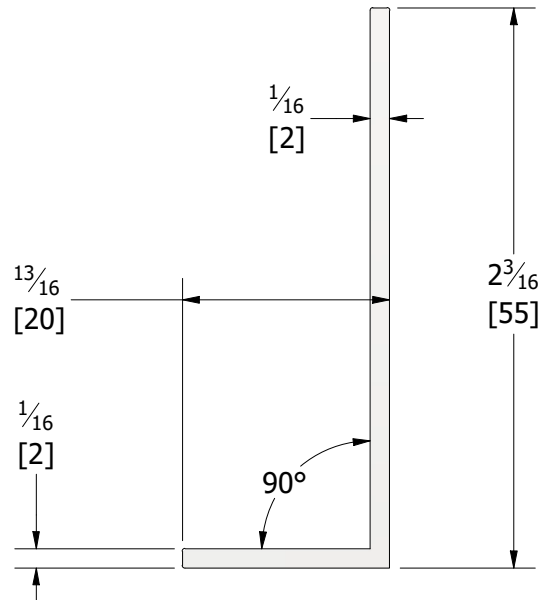


# VISION™ ROLLER SHADE SYSTEMS

V-84 & V-102

## Product Information: L-Channel Measurements and Sizes

All Dimensions Are In Inches [mm]



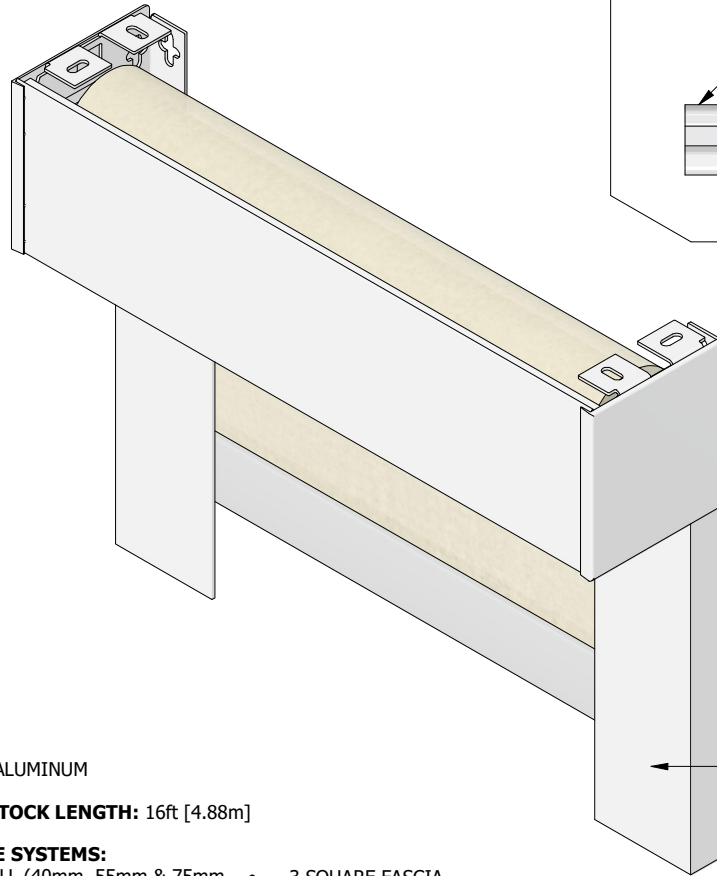


# VISION™ ROLLER SHADE SYSTEMS

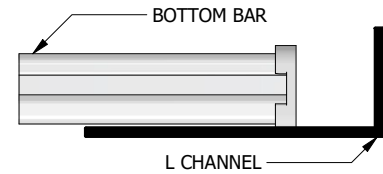
## V-84 & V-102

### Product Information: L-Channel Features and Benefits

All Dimensions Are In Inches [mm]



#### BOTTOM BAR INSIDE OF L CHANNEL



**MATERIAL:** ALUMINUM

**MAXIMUM STOCK LENGTH:** 16ft [4.88m]

**COMPATIBLE SYSTEMS:**

- OPEN ROLL (40mm, 55mm & 75mm SLIM LINE BRACKETS)
- COMPACT CURVED CASSETTE
- CURVED CASSETTE
- 3 SQUARE FASCIA
- 4 SQUARE FASCIA
- DUAL OPEN ROLL
- DUAL SQUARE FASCIA

**NOTE:** 3" SQUARE FASCIA SYSTEM SHOWN AS AN EXAMPLE.

FEATURES	BENEFITS
Glare Reduction	Minimizes the light penetration that can be seen through the Roller Shade light gaps on either side.
Bottom Bar Options	Works with a wide variety of Roller Shade bottom bars.
Different Mounting Orientations	Can be laterally mounted in the front or behind the bottom bar and fabric.
Bottom Channel (Optional)	Reduces the Light Penetration at the bottom window ledge.
System Flexibility	Can be used in conjunction with Chain Operated or Motorized Roller Shade Systems.