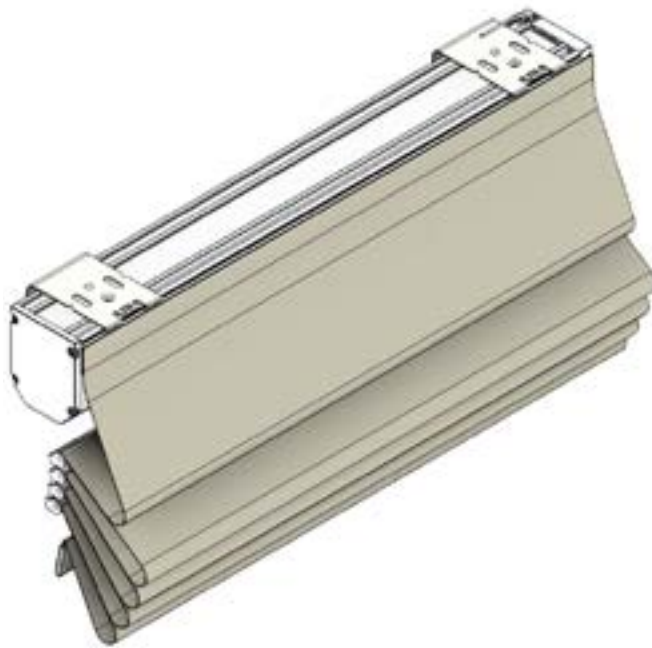


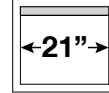


Motorized Roman Shade

Features and Benefits

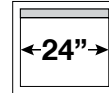


MIN. WIDTH



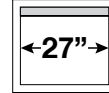
SG Bi-Directional 0.7Nm

MIN. WIDTH



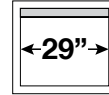
SG Bi-Directional 1.1Nm
Sonesse 30 RTS
Sonesse 30 RS485 (SDN)
Sonesse Ultra 30 Wirefree RTS (Li-ion)

MIN. WIDTH



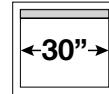
Sonesse 30 Wirefree RTS (Li-ion)
Sonesse 40 RTS
Sonesse 40 WT (non-RTS)

MIN. WIDTH



Sonesse Ultra 30 Wirefree RTS (Li-ion)

MIN. WIDTH



SG Bi-Directional 2.0Nm

Features & Benefits

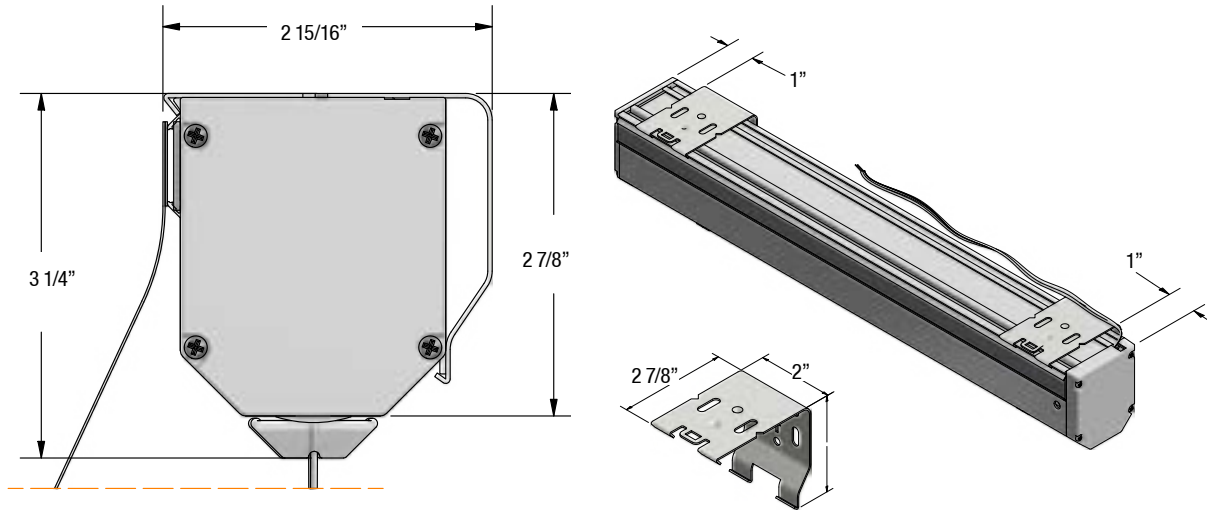
- Compatible with small and large windows: For windows small and large, combine classic elegance with modern functionality.
- Wide range for motorized control: Simple and effective motorization options from SG Rechargeable Motors and Somfy automation.
- New internal tube driven mechanism: New tube hardware to allow for smoother operation.
- Velcro-attached fabric front: Enhance the aesthetic of your shades with easily-attachable fabric fronts.
- EasyLock Cord Winder to prevent tangling: Easily assemble and balance cables to avoid cords from getting tangled.
- Fast installation with easy mounting brackets: Spring loaded brackets allow for snap-in installation.



Motorized Roman Shade

Mounting Details

Mounting Overview



Mounting Specifications

