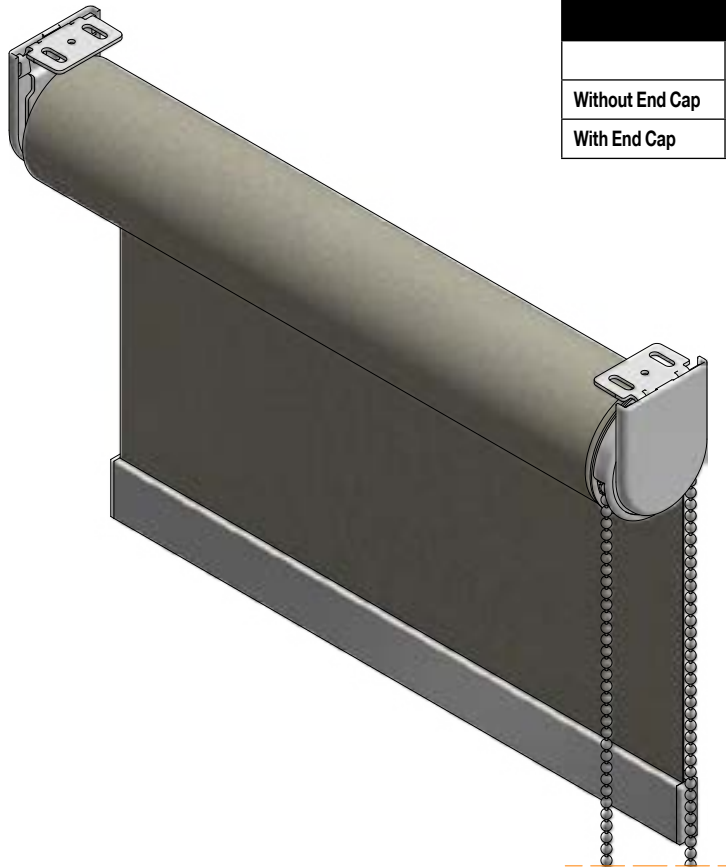




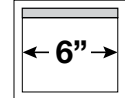
Roller Shades

Operating System: Open Roll



Light Gaps		
	Idle End	Drive End
Without End Cap	1/2" ±1/8"	3/4" ±1/8"
With End Cap	5/8" ±1/8"	7/8" ±1/8"

MIN. WIDTH



Features & Benefits

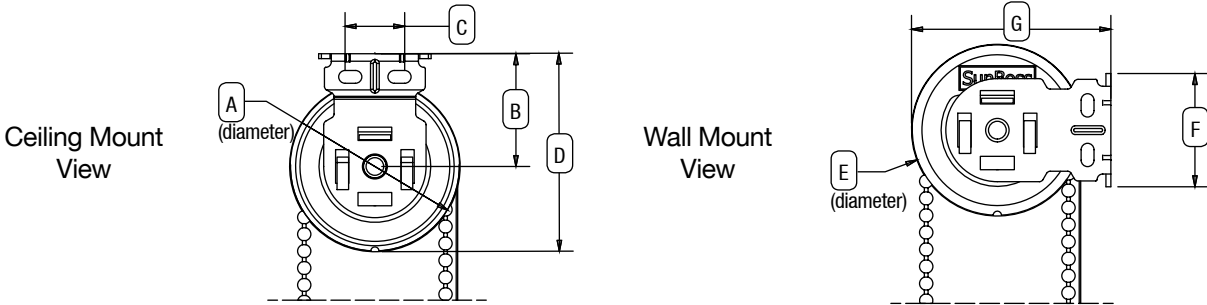
- Can be ceiling, wall or laterally mounted
- Bracket available in 1.5" (40mm), 2" (55mm), and 3" (75mm) to accommodate larger roll up diameters for larger shades.
- Provides a finished look for outside wall mounted applications.
- 1.5" (40mm) and 2" (55mm) brackets and covers available in white, grey, linen, brown, and black.
- 3" (75mm) brackets and covers available in white, grey, and black.
- Spring loaded idle end pin, clutch hooks, and safety tab makes for a secure installation.
- Catches are made from UV stabilized, glass-filled nylon and contain 4 small square profiled springs. The result is a strong clutch that operates smoothly with minimal effort.



Roller Shades

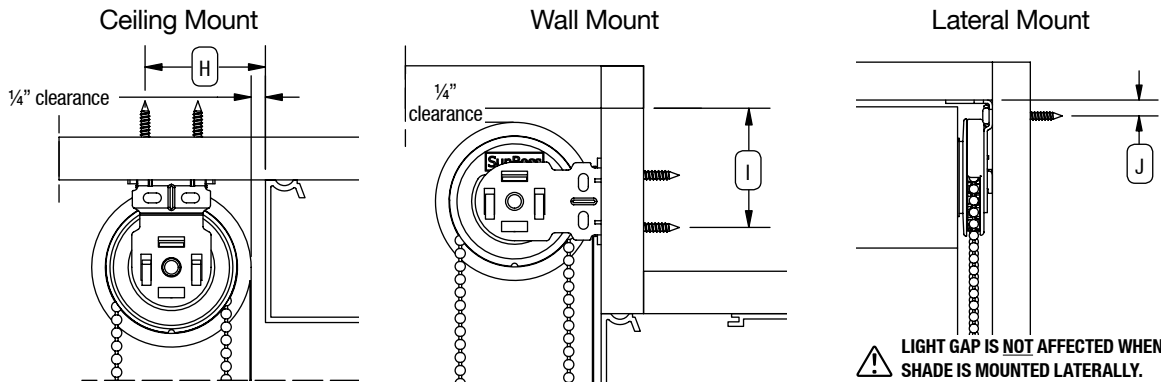
Operating System: Open Roll

Clutch & bracket dimensions



Clutch Size	Bracket Size	A	B	C	D	E	F	G
1 1/2"	1 9/16"	2 15/32"	1 5/8"	7/8"	2 55/64"	2 15/32"	1 5/8"	2 55/64"
1 1/2"	2 1/8"	2 15/32"	2 1/8"	7/8"	3 23/64"	2 15/32"	1 5/8"	3 23/64"
1 1/2"	3"	2 15/32"	2 7/8"	1 5/16"	4 7/64"	2 15/32"	2 3/16"	4 7/64"

Open Roll Mounting Specifications

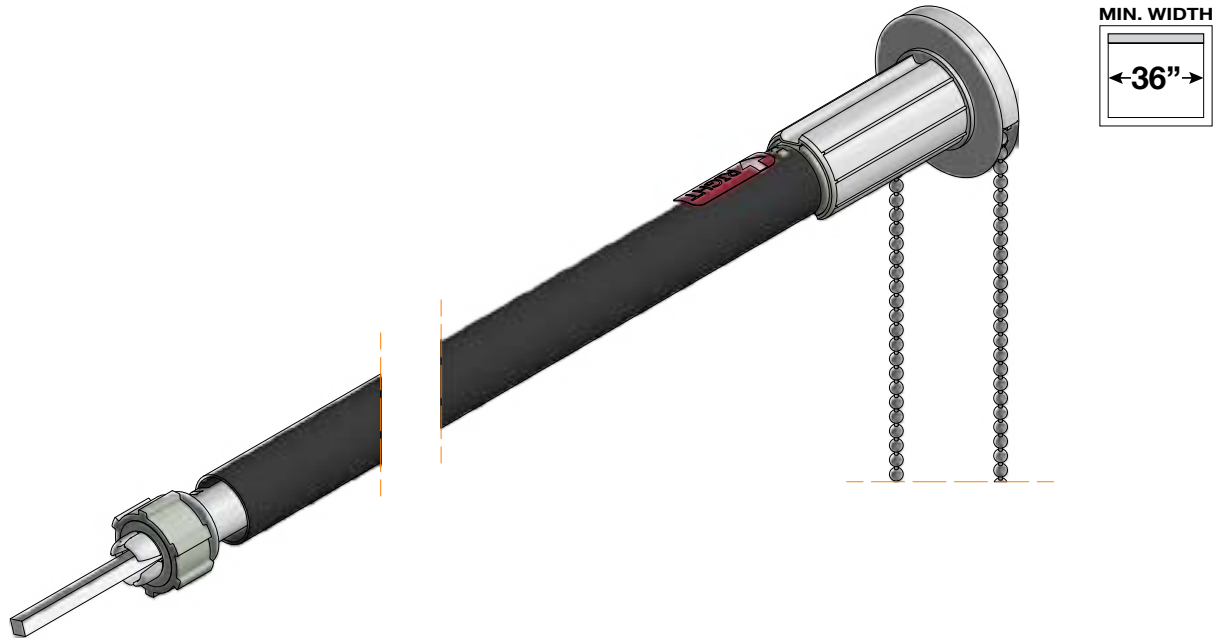


Clutch Size	Bracket Size	H		I		J	
		Clutch Diameter	Maximum Roll Up Diameter	Clutch Diameter	Maximum Roll Up Diameter	Clutch Diameter	Maximum Roll Up Diameter
1 1/2"	1 9/16"	2"	2 3/16"	2"	2 3/16"	3/8"	3/8"
1 1/2"	2 1/8"	2"	2 5/8"	2"	2 5/8"	3/8"	3/8"
1 1/2"	3"	2 7/16"	3 7/8"	2 7/16"	3 7/8"	3/8"	3/8"



Roller Shades

Operating System: LAM



Features & Benefits

- Recommended for large manually operated shades as it reduces the pull force required to operate the shade.
- Compatible with: Open Roll; Curved Cassette; 3" Square Fascia; 4' Square Fascia; Dual Open Roll; Dual Curved Cassette
- Helps to prevent unwanted stress on the Clutch and other shade components and increases the longevity of the entire shade system.
- Safe to install without the risk of unwinding as it maintains the specified tension from factory assembly right through to the completed installation
- Inner foam sheath surrounds the aluminum shaft internally to reduce noise as the spring operates.
- Outer sheath helps to dampen spring noise while operating inside the tube.
- Rubberized drive wheels run smoothly and quietly inside the tube.



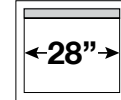
Roller Shades

Operating System: Zero Gravity

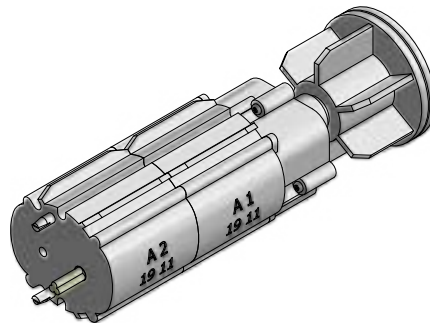
Zero Gravity



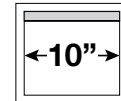
MIN. WIDTH



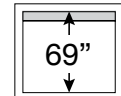
Zero Gravity Mini



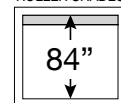
MIN. WIDTH



MAX. LENGTH INTERLUDE



MAX. LENGTH ROLLER SHADES



Features & Benefits

- Recommended where a chainless system is desired and the blind height is within reach.
- Compatible with: Open Roll; Curved Cassette; 3" Square Fascia; 4' Square Fascia: Dual Open Roll; Dual Curved Cassette
- Operate the shade by simply raising or lowering from the bottom bar to any desired position.
- For the Zero Gravity – Regular foam surrounds the aluminum shaft internally to reduce noise as the spring operates Drive Wheels run smoothly and quietly inside the tube.
- For the Zero Gravity - Outer Sheath helps to dampen spring noise while operating inside the tube.



Roller Shades

Operating System: Neo Chainless System

CEILING MOUNT



WALL MOUNT



Open Roll headrail shown

Features & Benefits

- Chainless design provides a clean look with no chains hanging.
- Can easily be operated by pulling the shade from the centre of the bottom bar or blind pull to the desired height.
- Can easily be retracted by a slight pull of the bottom bar or blind pull. The spring end helps to retract the shade while the speed reducer slows the shade down as it approaches the upper limit. Upper limit can be adjusted.
- Adjustable spring tension onsite using a 5mm allen key.
- Flexible mounting brackets can be ceiling or wall mounted. The position of the headrail can be altered for wall mounted applications.
- The spring loaded mechanism inside the mounting brackets makes installing the system easier.
- The white headrail, assembly brackets, and bracket covers provide a finished look from the interior. Also compatible with Curved Cassette valance.



LIGHT GAP MAY INCREASE when width to height ratio is 1:2.5 or greater.



Roller Shades

Valance Options: Curved Cassette



Light Gaps	
Idle End	Drive End
5/8" ±1/8"	7/8" ±1/8"

Includes End Caps

Features & Benefits

- Sleek look accommodates upscale commercial needs and affords greater residential appeal.
- Front of cassette can be wrapped with fabric to match the roller shade fabric.
- Standard cassette used for Interlude and Illusions shades.
- Fully assembled design makes for quick and easy installation.
- Snap on mounting brackets can be ceiling or wall mounted.
- Available in white, anodized, linen, brown, and black with matching end caps.



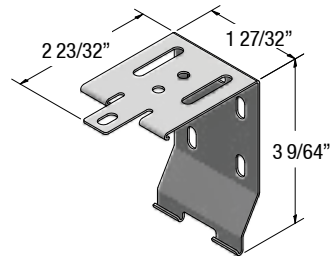
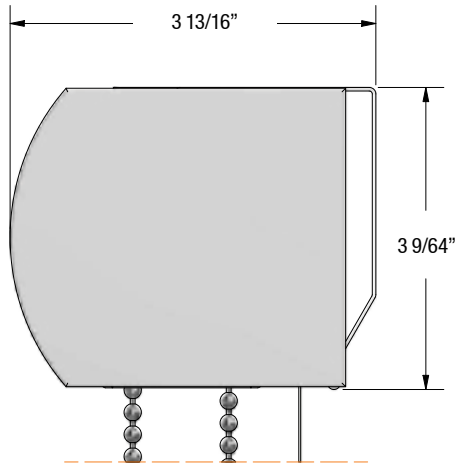
LIGHT GAP MAY INCREASE when width to height ratio is 1:2.5 or greater



Roller Shades

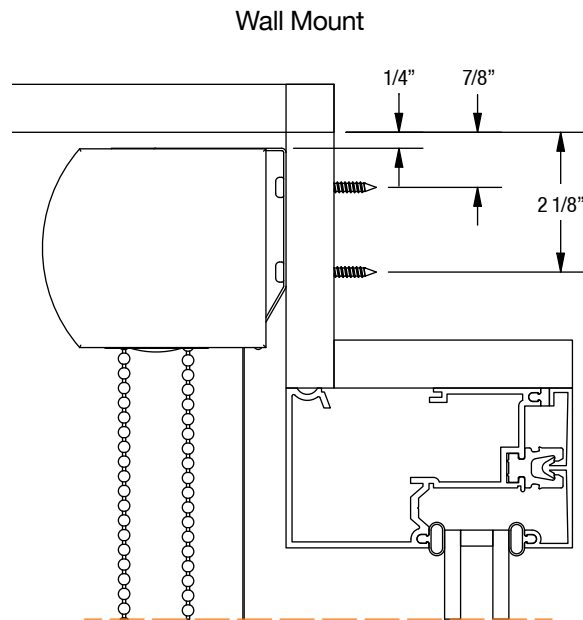
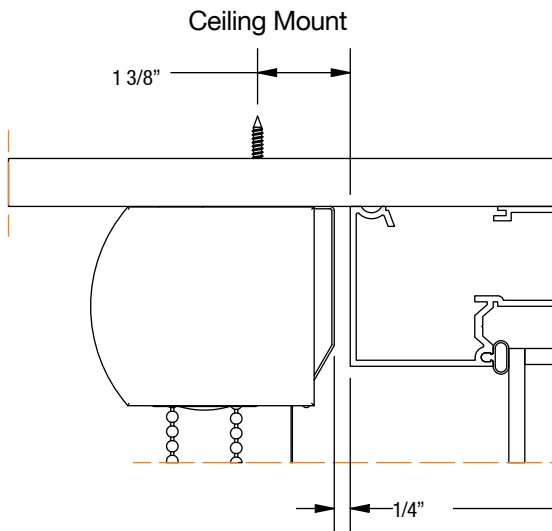
Cassette Options: Curved Cassette

Dimensions & Overview



Brackets Required By Width					
Shade Width	<60"	60"-96"	96"-120"	120"-148"	>148"
# of Brackets	2	3	4	5	6

Mounting Specifications





Roller Shades

Valance Options: Compact Curved Cassette



Light Gaps	
Idle End	Drive End
5/8" ±1/8"	3/4" ±1/8"

Includes End Caps

Features & Benefits

- Option for the front of the cassette to be wrapped with fabric to match the roller shade.
- Completely assembled unit conceals the roller shade from the interior and exterior space
- Allows for motorized controls with wireless remotes, switches or other smart devices.
- Compatible with the Zero Gravity system which allows the shade to be raised and lowered manually to the desired position with minimal effort. (No clutch and chain required).
- Compatible with the NEO Chainless system which allows the shade to easily be retracted by a slight pull of the bottom bar or blind pull. The spring end helps to retract the shade while the speed reducer slows the shade down as it approaches the upper limit.
- Multi in 1 (separate control) allow a group of shades to be driven individually under a single cassette.
- Snap on flexible mounting brackets can be ceiling or wall mounted.
- Available in white, anodized, linen, brown, and black with matching end caps.



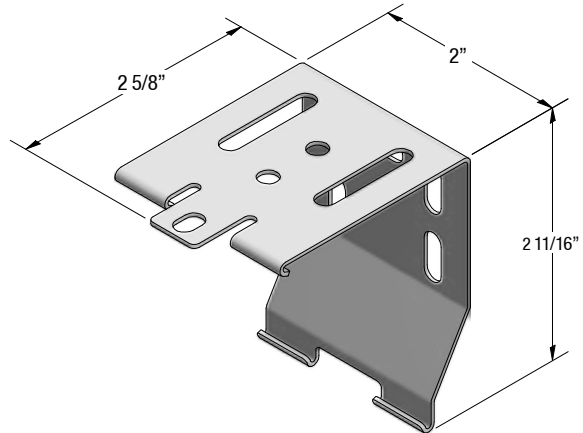
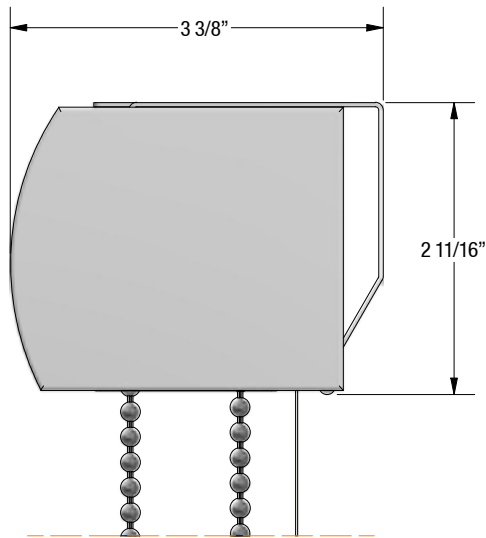
LIGHT GAP MAY INCREASE when width to height ratio is 1:2.5 or greater



Roller Shades

Cassette Options: Compact Curved Cassette

Dimensions & Overview

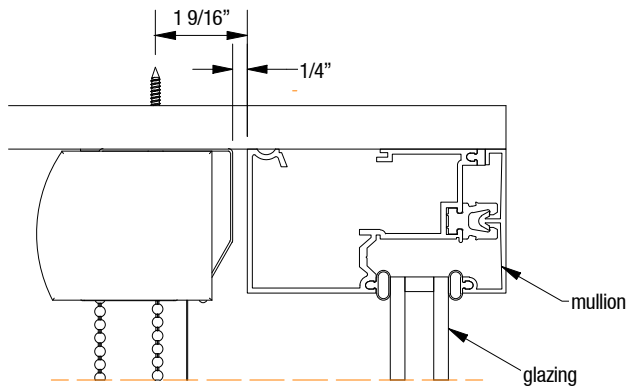


Brackets Required By Width					
Shade Width	<60"	60"-96"	96"-120"	120"-148"	>148"
# of Brackets	2	3	4	5	6

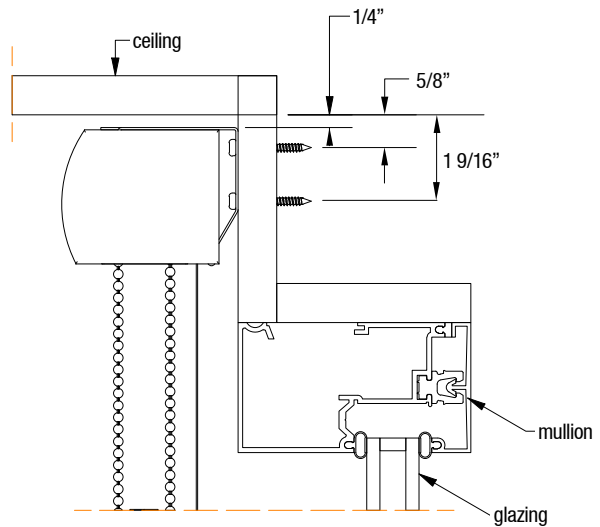
* Each mounting bracket requires a minimum of 2 screws for ceiling or wall mounts.

Mounting Specifications

Ceiling Mount



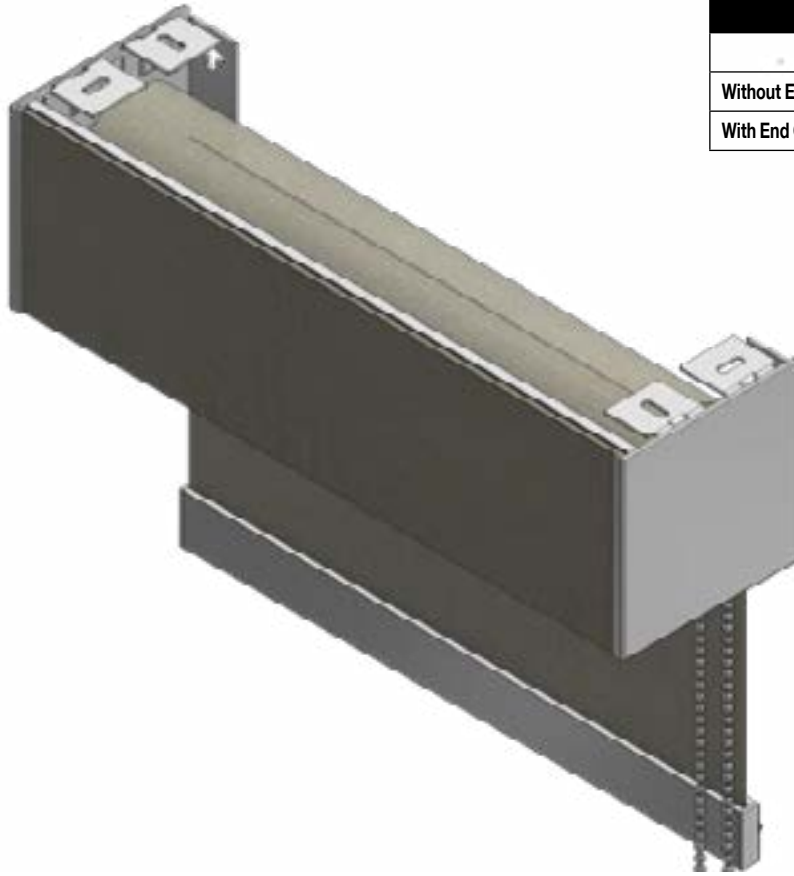
Wall Mount





Roller Shades

Fascia Options: Square Fascia



Light Gaps		
	Idle End	Drive End
Without End Cap	1/2" ±1/8"	3/4" ±1/8"
With End Cap	5/8" ±1/8"	7/8" ±1/8"

Features & Benefits

- Conceals roller and components for a very clean and contemporary appearance.
- Compatible with chain, Zero Gravity and automated systems.
- Clip on chain diverter allows chain to hang away from the fascia and maintains a smooth feel during operation. Notching the fascia is not required.
- Simple and fast installation with universal brackets, fascia securely locks onto each bracket/guard and can be removed to allow access to the shade.
- Can be ceiling, wall or laterally mounted.
- Front profile of the 4" fascia can be wrapped with fabric to match the roller shade.
- Commercial grade aluminum construction.
- Available in white, anodized, linen, brown, and black with matching end caps. Bracket covers provide a finished look when outside mounting the fascia.



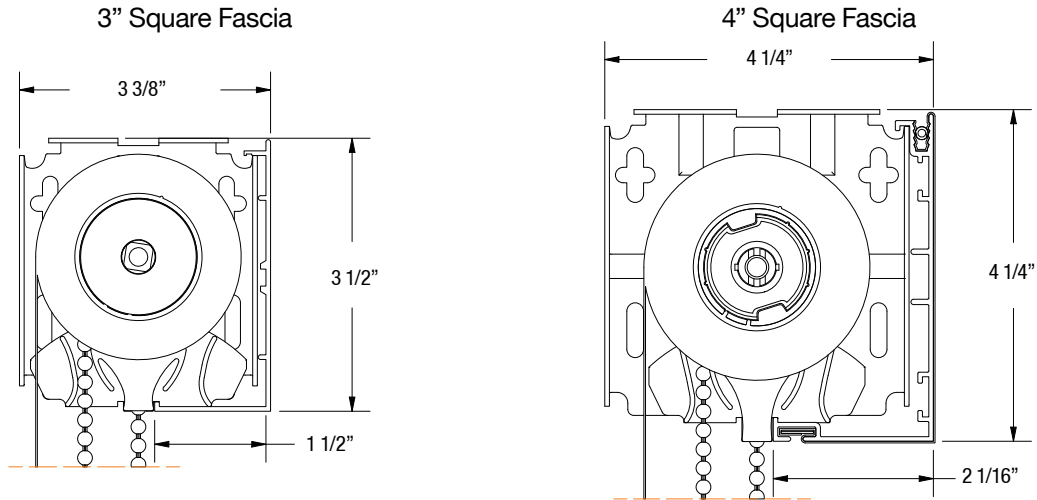
LIGHT GAP MAY INCREASE when width to height ratio is 1:2.5 or greater



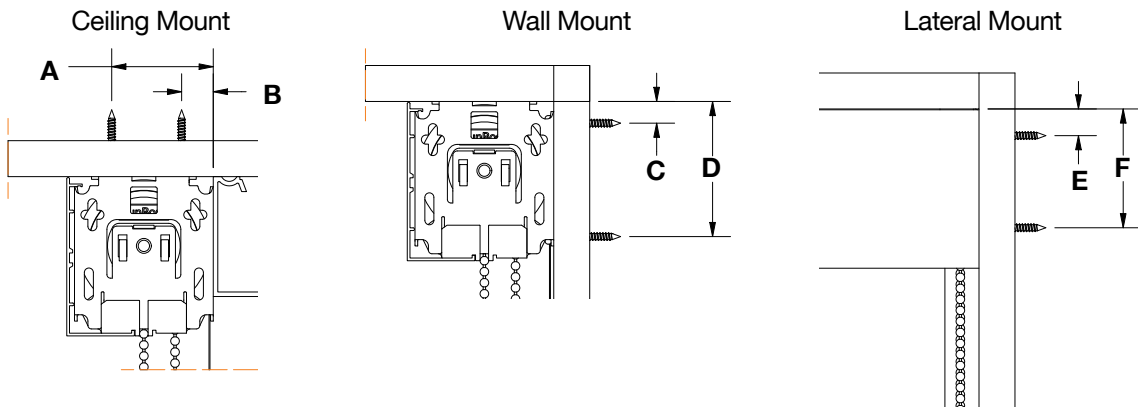
Roller Shades

Fascia Options: Square Fascia

Dimensions & Overview



Mounting Specifications



⚠ LIGHT GAP IS NOT AFFECTED WHEN SHADE IS MOUNTED Laterally.

	A	B	C	D	E	F
3"	3"	2 1/4"	2 3/8"	2 5/16"	2 1/2"	2 9/16"
4"	3 11/16"	2 3/4"	3 1/4"	3 3/16"	3 3/16"	3 1/8"



Roller Shades

Valance Options: Fabric Valance



Features & Benefits

- Can be used with Roller Shades and Panel Track.
- Standard is 6" (height) but custom sizes can be accommodated.
- Available with or without returns. Standard return is a 3.5" projection with a 3" wall bracket. 4", 5", and 6" wall brackets also available.
- Bottom of valance is sewn and includes an aluminum slat insert.
- Valance width cannot exceed the maximum roll width of fabric selected, as any seaming will likely be visible (see [fabric specifications page](#)).
- Railroading is an option for some fabrics but not all. For patterned fabric, railroading the valance will result in a different look than that of the shade.
- For roller shades, valances can be mounted with Velcro aluminum track using wall or ceiling brackets or with plastic Velcro angle for ceiling mounting only.



LIGHT GAP MAY INCREASE when width to height ratio is 1:2.5 or greater

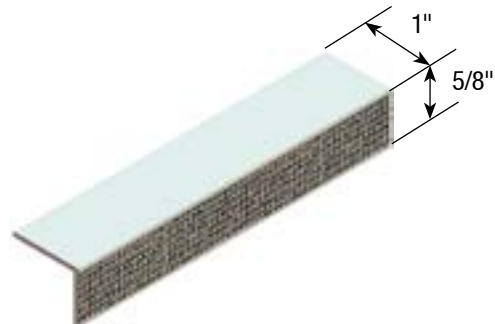
Mounting Options

Wall Mount Velcro Track



Brackets available in 3", 4", 5" and 6"
3 1/2" return standard

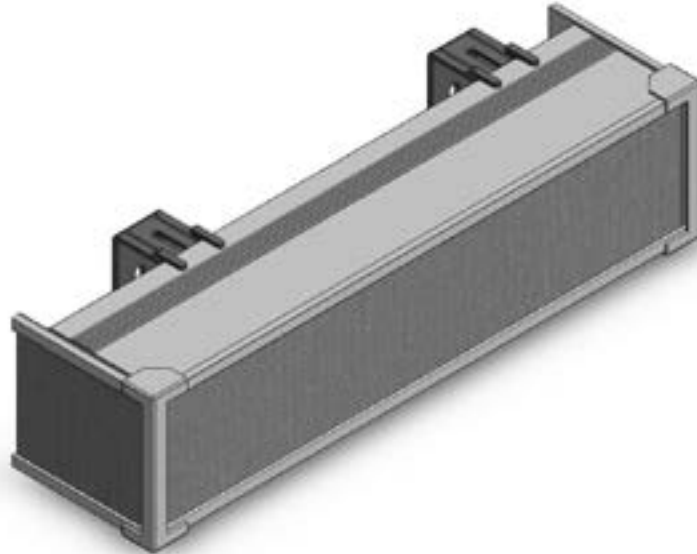
Ceiling Mount Velcro Angle





Roller Shades

Valance Options: PVC Valance



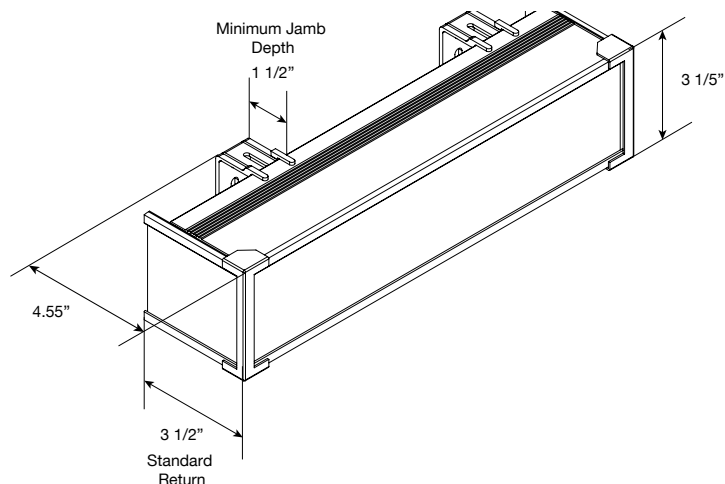
Features & Benefits

- Standard height is 3.5"
- Available with or without returns. Standard return is a 3.5" projection.
- Matching fabric insert.
- Can be ceiling or wall mounted.
- Minimum jamb depth is 1.5"
- Extended brackets are available.



LIGHT GAP MAY INCREASE when width to height ratio is 1:2.5 or greater

Mounting Options

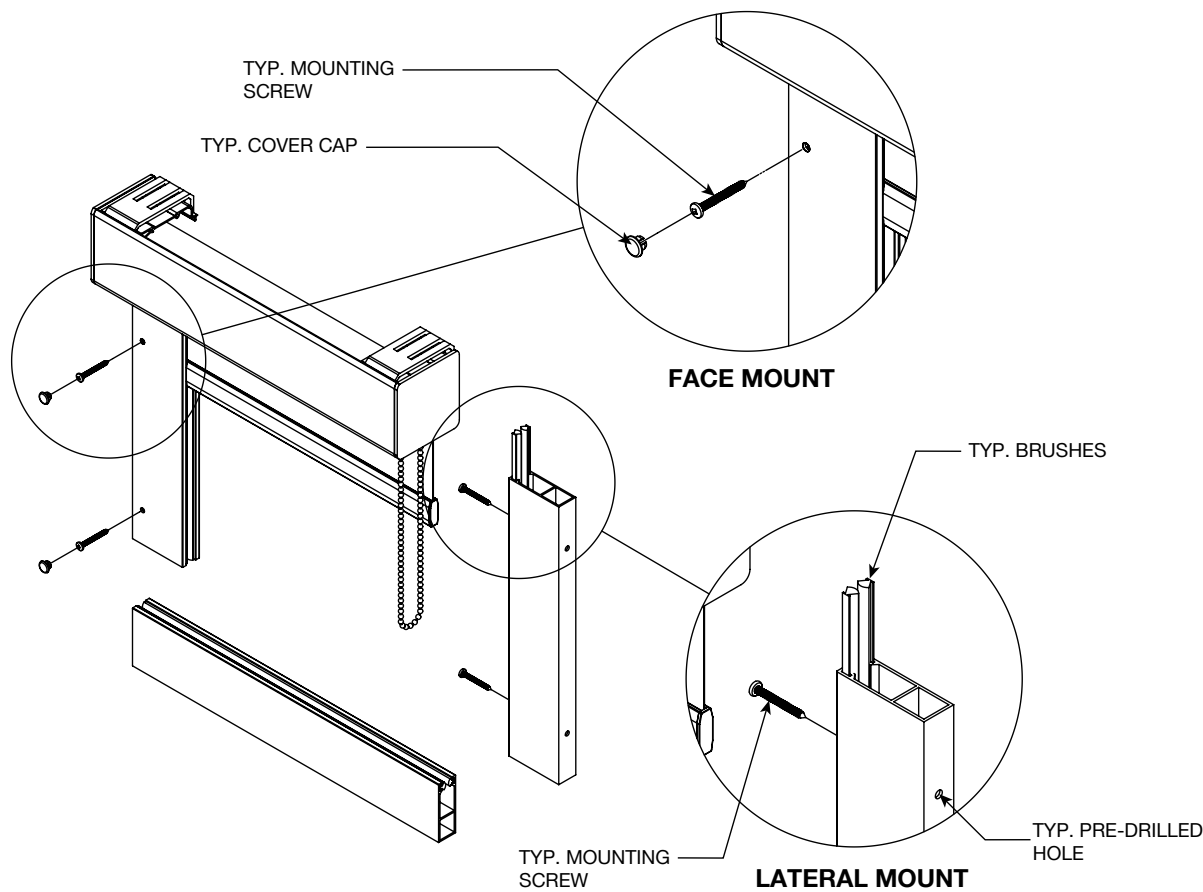




Roller Shades

Room Darkening Options

Blackout System



Order Code:
Side Channels: SC
Side and Bottom Channels: SBC

Features and Benefits

- Eliminates 99% of direct light. A small amount of indirect light may still be visible.
- Aluminum 2.5" side and bottom channel with brush.
- Recommended for inside mount applications.
- We pre-drill to your specifications based on lateral or face mount.
- Available in anodized, white, dark bronze, and black.
- Maximum length of 16 feet.
- Bottom bar options are limited to Slim Bar or Plain Hem.
- Recommended use with Fascia and Vision.