



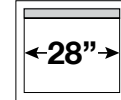
Roller Shades

Operating System: Zero Gravity

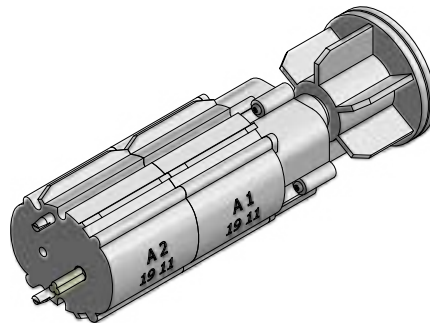
Zero Gravity



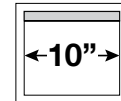
MIN. WIDTH



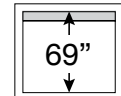
Zero Gravity Mini



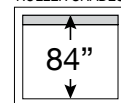
MIN. WIDTH



MAX. LENGTH
INTERLUDE



MAX. LENGTH
ROLLER SHADES



Features & Benefits

- Recommended where a chainless system is desired and the blind height is within reach.
- Compatible with: Open Roll; Curved Cassette; 3" Square Fascia; 4' Square Fascia: Dual Open Roll; Dual Curved Cassette
- Operate the shade by simply raising or lowering from the bottom bar to any desired position.
- For the Zero Gravity – Regular foam surrounds the aluminum shaft internally to reduce noise as the spring operates Drive Wheels run smoothly and quietly inside the tube.
- For the Zero Gravity - Outer Sheath helps to dampen spring noise while operating inside the tube.