



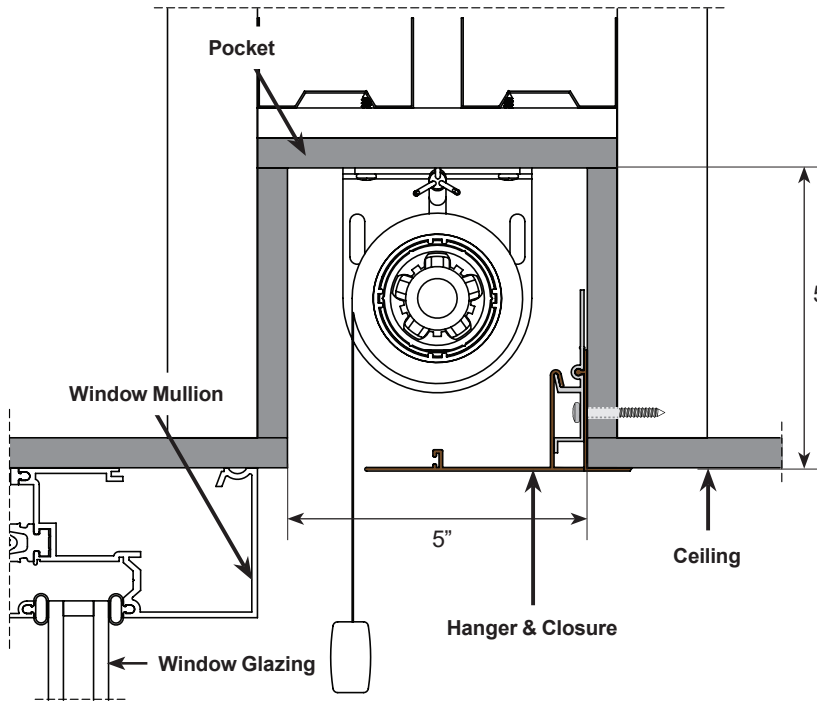
# HANGAR & CLOSURE

Installation Instructions

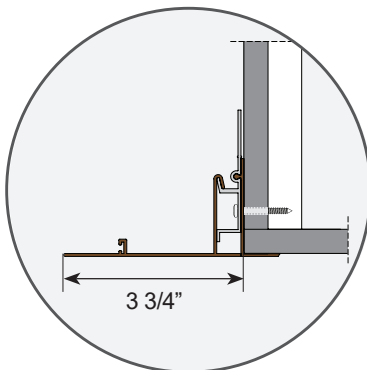
## PREPARATION AND OVERVIEW OF SYSTEM

Hanger & Closure is used to conceal the shade when installed into an above ceiling pocket. These instructions will guide you through the installation of the Sun Glow Hanger & Closure System. Follow each step carefully to ensure a proper and safe installation.

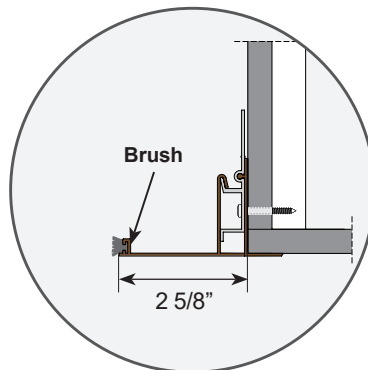
### Standard Pocket - 5"



Can be used in various pocket sizes.



5" and larger pockets



4" - 5" Pockets

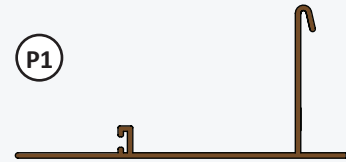


**WHEN BOTTOM ENCLOSURE IS CUT DOWN A BRUSH STRIP WILL BE INSERTED BY SUN GLOW TO PROTECT THE FABRIC FROM THE CUT EDGE.**



### Parts (Provided)

P1



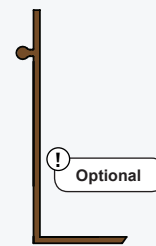
**Bottom Enclosure**  
(Full length of opening)

P2



**Hanger**  
(2 inch pieces)

P3



**Cover**  
(Full length of opening)



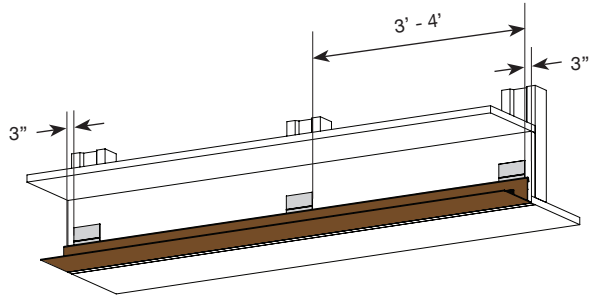
**1.5" Wood Mounting Screws**  
(1 for each Hanger)



Ensure the screws used are appropriate for each application.

# HANGER PLACEMENT

Hangers (P2) should be placed 3" from either end of the pocket. Additional hangers (P2) should be placed every 3' - 4' evenly spaced along the pocket wall.



 **HOLES MUST BE PRE DRILLED BEFORE INSTALLATION**

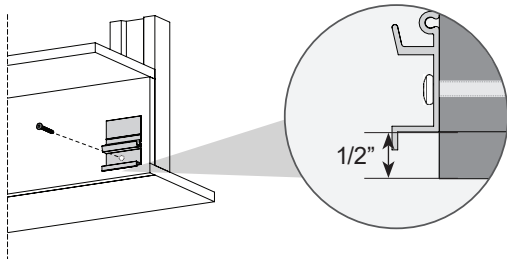
## 1 HANGAR INSTALLATION



Secure each Hanger (P2) with the 1 1/2" wood mounting screws provided or use the appropriate screws based on the site conditions.

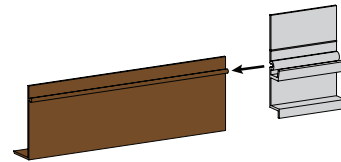
### Option 1: Without Cover

Position each Hanger (P2) along the wall of the pocket. 1/2" from the edge of the Pocket to Hanger (P2) surface shown.

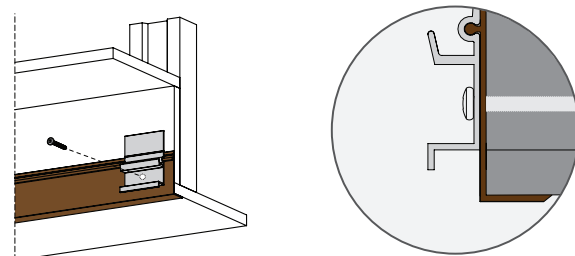


### Option 2: With Cover

Slide each Hanger (P2) onto the Cover (P3) profile.



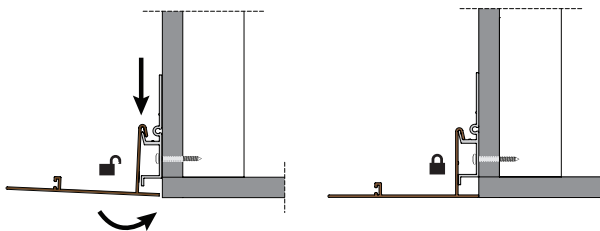
Ensure the adequate number of hangers are added. Align Cover (P3) with the pocket edge.



## 2 ATTACHING THE BOTTOM CLOSURE

Attach the Bottom Enclosure (P1) to each Hanger (P2) along the pocket.

### Option 1: Without Cover



### Option 2: With Cover

